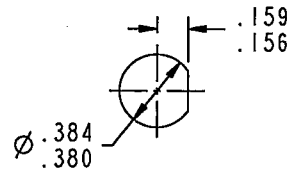
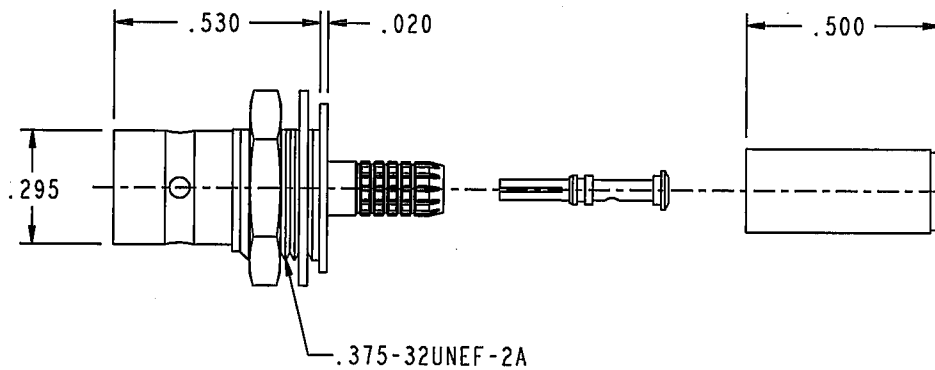
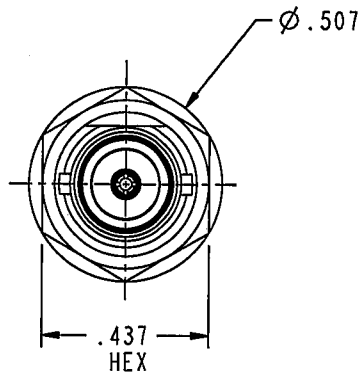


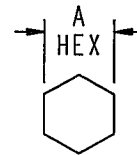
DASH NO	CABLES ACCOMMODATED	TEI PART NO.	A HEX	ASSEMBLE PER
-004	RG-179	1-0593-004	.178	TAI-D118
-009	8218, BELDEN YR23023 BELDEN 21-597, ESSEX	1-0593-009		
-014	8212, BELDEN	1-0593-014		
-025	734A, LUCENT	1-0593-025		
-026	735A, LUCENT	1-0593-026		

DATA CONTAINED IN THIS DOCUMENT IS PROPRIETARY TO TROMPETER ELECTRONICS INC. AND SHALL NOT BE DISCLOSED, COPIED OR USED FOR PROCUREMENT OR MANUFACTURE WITHOUT EXPRESS WRITTEN PERMISSION.

REVISIONS			
REV	DESCRIPTIONS	DATE	APPROVED
D	REVISED PER ECO 15559	7/21/04	<i>WJ</i>



RECOMMENDED  
PANEL CUT-OUT



RECOMMENDED  
HEX CRIMP

**RED INDICATES ORIGINAL**

**OUTLINE DRAWING**

- 4. MAXIMUM PANEL THICKNESS: .080"
- 3. 75Ω "MINI BNC" STYLE FULL CRIMP CABLE RECEPTACLE
- 2. ALL COMPONENTS SHOWN ARE SUPPLIED LOOSE
- 1. FINISH: TFS-1A (NICKEL)

NOTES: UNLESS OTHERWISE SPECIFIED.

INTERPRET DRAWING PER MIL-STD-100. DIMENSIONS ARE IN INCHES AND INCLUDE FINISH THICKNESS UNLESS OTHERWISE SPECIFIED.		TOL: UNLESS SPECIFIED. .XX ± .02 .XXX ± .010 ANGLE ± 1°			
DRN H.M. 7-19-04	MATERIAL:	TITLE: <b>CABLE JACK 75Ω ,BNC, MINIATURE</b>			
CHR <i>T.K.H.</i> 7/19/04	FINISH:	SIZE <b>A</b>	CAGE CODE <b>14949</b>	DRAWING NO. <b>UBJ250</b>	REV. <b>D</b>
QUALITY <i>WJ</i> 7/21/04		SCALE 1/1	DATE 4/5/01	SHEET 1 OF 1	
MANU <i>WJ</i> 7/21/04	APPROVED <i>WJ</i> 7/21/04	NEXT ASSY 1-0593	DO NOT SCALE DWG		