



Series MRE Mk 2 and MRA Mk 2 Miniature Connectors with 7, 14, 18, 26, 34 and 50 contacts;
MRE contact diameter 0.040 in;
MRA contact diameter 0.062 in



General description

These connectors are similar to the MRE Mk 1 series but have improved socket entry and are designed for use over an extended temperature range. Series MRA Mk 2 is characterised by its higher contact current rating of 13A.

GN Guides

All connectors in the series can be fitted with GN-type brass guides, which protect the contact pins and ensure positive polarisation. They should be fitted at all times unless jackscrews are to be used. Also available are phosphor bronze spring guides, reference GC, and fixed stainless steel guides, reference GSS.

Specification

Current rating per contact

MRA Mk 2: 13A

MRE Mk 2: 7.5A

DC breakdown voltage (connector engaged)

MRA Mk 2 7-way

MRA Mk 2 14 to 50-way

MRE Mk 2 7-way

MRE Mk 2 14 to 50-way

Between contacts

Sea level 60,000 ft

3100V 1000V

4200V 1000V

3100V 1000V

4200V 1100V

Contacts to ground

Sea level 60,000 ft

2500V 750V

4700V 1000V

2500V 750V

3800V 1000V

MRA Mk 2 7-way

MRA Mk 2 14 to 50-way

MRE Mk 2 7-way

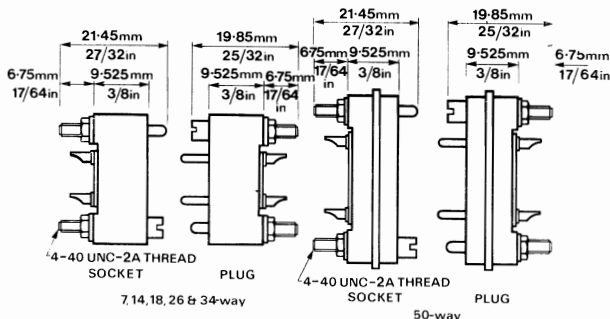
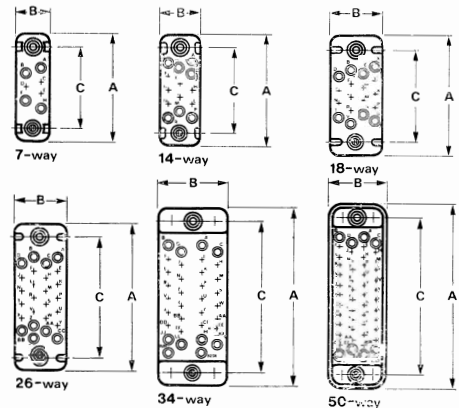
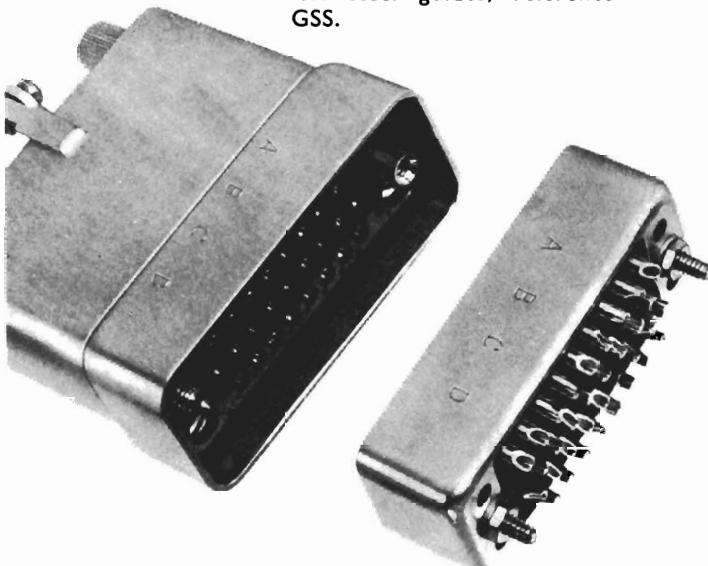
MRE Mk 2 14 to 50-way

Wire size

MRA Mk 2: 0.070 in dia. max. solder cup for 16 swg.

MRE Mk 2: 0.043 in dia. max. solder cup for 21 swg.

Contact identification: alphabetical



Size		A	B	C
7 way	in	1 ⁷ / ₃₂	3/8	0.906
	mm	30.96	9.53	23.02
14 way	in	1 ¹ / ₂	7/16	0.937
	mm	31.75	11.11	23.81
18 way	in	1 ⁵ / ₁₆	7/8	1.000
	mm	33.34	14.29	25.4
26 way	in	1 ⁹ / ₁₆	9/16	1.312
	mm	41.28	14.29	33.34
34 way	in	2	3/4	1.688
	mm	50.8	19.05	42.86
50 way	in	2 ³ / ₈	7/8	2.282
	mm	69.06	22.23	57.96