

TN Plugs and Sockets



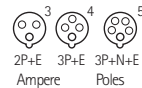
TN PANEL MOUNTING SOCKETS straight

- Colour: bronze-green RAL 6031-F9
- IEC 60309, EN 60309, VDE 0623, VG 96919
- Protection degree IP67

Panel Mounting Socket Outlet Quick-Connect

- Screwless terminals
- Straight
- Kontex contact
- High-temperature-resistant contact carrier
- Nickel plated contacts
- Flange 75 x 75 mm
- Protection degree IP67

(Form AS)



	Ampere	Poles	230V 50-60 Hz			400V 50-60 Hz			440V 60 Hz			301-500Hz > 50V			9 each
			3pol 6h	4pol 9h	5pol 9h	3pol 9h	4pol 6h	5pol 6h	4pol 11h	5pol 11h	3pol 2h	4pol 2h	5pol 2h		
16	3	3	Order no.	13064*						13098					
			Supply No. 5935-12...	320-7272									150		
			VG type No. VG 96919...	AS 013						AS 039					
16	4	4	Order no.	13928	13633		13929		13930						
			Supply No. 5935-12...										170		
			VG type No. VG 96919...	AS 020	AS 018		AS 021		AS 022						
16	5	5	Order no.	13189*	13065*		13182*		13183*						
			Supply No. 5935-12...				300-5324						195		
			VG type No. VG 96919...	AS 002	AS 001		AS 003		AS 004						
32	3	3	Order no.	13032						13932					
			Supply No. 5935-12...										245		
			VG type No. VG 96919...	AS 042						AS 044					
32	4	4	Order no.	13933	13634		13166		13935						
			Supply No. 5935-12...										265		
			VG type No. VG 96919...	AS 025	AS 023		AS 026		AS 027						
32	5	5	Order no.	13297*	13066*		13184*		13175*						
			Supply No. 5935-12...				300-5323			321-5242			315		
			VG type No. VG 96919...	AS 006	AS 005		AS 007		AS 008						

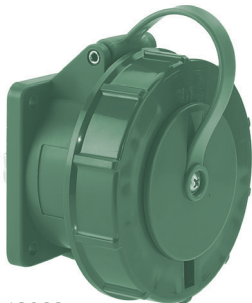
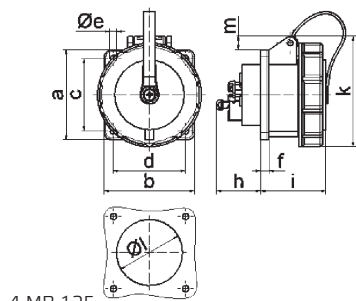


Fig.: Type 13066



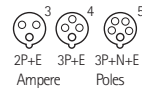
4 MB 125

Ampere Poles	16 3	16 4	16 5	32 3	32 4	32 5
a	75.0	75.0	75.0	75.0	75.0	75.0
b	75.0	75.0	75.0	75.0	75.0	75.0
c	60.0	60.0	60.0	60.0	60.0	60.0
d	60.0	60.0	60.0	60.0	60.0	60.0
e Ø	5.5	5.5	5.5	5.5	5.5	5.5
f	7.0	7.0	7.0	8.0	8.0	8.0
h	35.0	35.0	35.0	50.0	50.0	50.0
i	57.0	57.0	57.0	69.0	69.0	69.0
k	77.0	83.0	93.0	98.0	98.0	107.0
l Ø	45.0	75.0	55.0	60.0	60.0	60.0
m	4.0	7.0	12.0	12.0	12.0	17.0
Cond. mm² min	1.5	1.5	1.5	2.5	2.5	2.5
Cond. mm² max	4.0	4.0	4.0	10.0	10.0	10.0

Panel Mounting Socket Outlet

- Screw terminals
- Straight
- High-temperature-resistant contact carrier
- Box terminals
- Kontex contact
- Nickel plated contacts
- Flange 107 x 100 mm for 63A, 120 x 120 mm for 125A
- Protection degree IP67

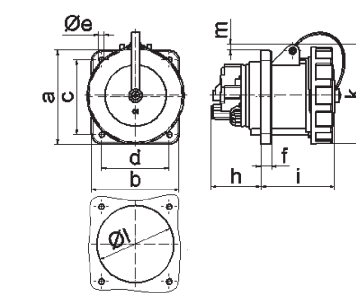
(Form AS)



	Ampere	Poles	230V 50-60 Hz			400V 50-60 Hz			440V 60 Hz			301-500Hz > 50V			9 each
			3pol 6h	4pol 9h	5pol 9h	3pol 9h	4pol 6h	5pol 6h	4pol 11h	5pol 11h	3pol 2h	4pol 2h	5pol 2h		
63	3	3	Order no.	13186						13927					
			Supply No. 5935-12...										500		
			VG type No. VG 96919...	AS 047						AS 049					
63	4	4	Order no.	13924	13839		13925		13926						
			Supply No. 5935-12...										580		
			VG type No. VG 96919...	AS 030	AS 028		AS 031		AS 032						
63	5	5	Order no.	13298*	13067*		13187*		13188*						
			Supply No. 5935-12...				300-3603			321-5243			620		
			VG type No. VG 96919...	AS 010	AS 009		AS 011		AS 012						
125	3	3	Order no.	13840						13923					
			Supply No. 5935-12...										930		
			VG type No. VG 96919...	AS 052						AS 054					
125	4	4	Order no.	13919	13841		13920		13921						
			Supply No. 5935-12...										1090		
			VG type No. VG 96919...	AS 035	AS 033		AS 036		AS 037						
125	5	5	Order no.	13915	13647		13916		13918						
			Supply No. 5935-12...										1210		
			VG type No. VG 96919...	AS 015	AS 014		AS 016		AS 017						



Fig.: Type 13067



4 MB 134

Ampere Poles	63 3	63 4	63 5	125 3	125 4	125 5
a	107.0	107.0	107.0	120.0	120.0	120.0
b	100.0	100.0	100.0	120.0	120.0	120.0
c	85.0	85.0	85.0	100.0	100.0	100.0
d	77.0	77.0	77.0	100.0	100.0	100.0
e Ø	6.5	6.5	6.5	6.5	6.5	6.5
f	12.0	12.0	12.0	21.0	21.0	21.0
h	57.0	57.0	57.0	50.0	50.0	50.0
i	77.0	77.0	77.0	117.0	117.0	117.0
k	113.0	113.0	113.0	129.0	129.0	129.0
l Ø	88.0	88.0	88.0	104.0	104.0	104.0
m	8.0	8.0	8.0	6.0	6.0	6.0
Cond. mm² min	6.0	6.0	6.0	25.0	25.0	25.0
Cond. mm² max	25.0	25.0	25.0	70.0	70.0	70.0

* Approval according to VG 96919

TN PANEL MOUNTING SOCKETS angled

- Colour: bronze-green RAL 6031-F9
- IEC 60309, EN 60309, VDE 0623, VG 96919
- Protection degree IP67

Panel Mounting Socket Outlet Quick-Connect

- Screwless terminals
- 20° angled
- Kontex contact
- High-temperature-resistant contact carrier
- Nickel plated contacts
- Flange 85 x 85 mm
- Protection degree IP67

(Form BS)

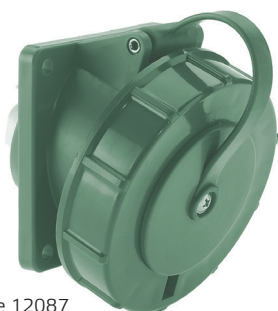
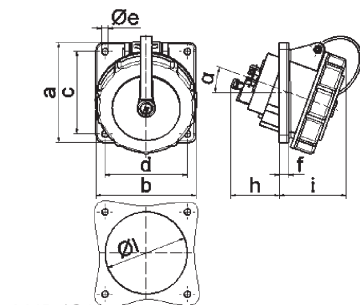


Fig.: Type 12087

	Ampere	Poles	230V 50-60 Hz			400V 50-60 Hz			440V 60 Hz			301-500Hz > 50V			9 each
			3pol 6h	4pol 9h	5pol 9h	3pol 9h	4pol 6h	5pol 6h	4pol 11h	5pol 11h	3pol 2h	4pol 2h	5pol 2h		
16	3		Order no. 12085*			12280						155			
			Supply No. 5935-12-...			347-4131									
			VG type No. VG 96919...			BS 017			BS 039						
16	4		Order no. 120025			12699	120026		120027			175			
			Supply No. 5935-12-...			BS 020			BS 018						
			VG type No. VG 96919...			BS 021			BS 022						
16	5		Order no. 12242*			12086*	12235*		12236*			200			
			Supply No. 5935-12-...			300-5324									
			VG type No. VG 96919...			BS 002			BS 003						
32	3		Order no. 12169						120029			250			
			Supply No. 5935-12-...			BS 042			BS 044						
			VG type No. VG 96919...			BS 042			BS 044						
32	4		Order no. 120030			12700	120031		120032			275			
			Supply No. 5935-12-...			BS 025			BS 023						
			VG type No. VG 96919...			BS 026			BS 027						
32	5		Order no. 12340*			12087*	12237*		12238*			315			
			Supply No. 5935-12-...			306-7781			311-1928						
			VG type No. VG 96919...			BS 006			BS 005						
						BS 007			BS 008						



4 MB 124

Ampere Poles	16 3	16 4	16 5	32 3	32 4	32 5
a	85.0	85.0	85.0	85.0	85.0	85.0
b	85.0	85.0	85.0	85.0	85.0	85.0
c	70.0	70.0	70.0	70.0	70.0	70.0
d	70.0	70.0	70.0	70.0	70.0	70.0
e Ø	5.5	5.5	5.5	5.5	5.5	5.5
f	8.0	8.0	8.0	8.0	8.0	8.0
h	46.0	46.0	46.0	50.0	50.0	50.0
i	57.0	57.0	60.0	67.0	67.0	69.0
l Ø	57.0	65.0	70.0	78.0	78.0	78.0
α	20°	20°	20°	20°	20°	20°
Cond. mm² min	1.5	1.5	1.5	2.5	2.5	2.5
Cond. mm² max	4.0	4.0	4.0	10.0	10.0	10.0

Panel Mounting Socket Outlet

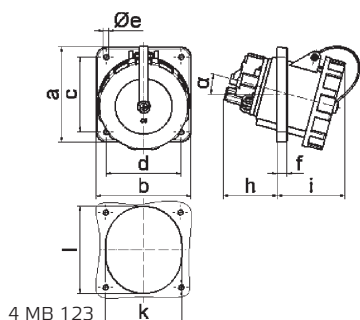
- Screw terminals
- Angled
- High-temperature-resistant contact carrier
- Box terminals
- Kontex contact
- Nickel plated contacts
- Flange 114 x 114 mm
- Protection degree IP67

(Form BS)



Fig.: Type 12088

	Ampere	Poles	230V 50-60 Hz			400V 50-60 Hz			440V 60 Hz			301-500Hz > 50V			9 each
			3pol 6h	4pol 9h	5pol 9h	3pol 9h	4pol 6h	5pol 6h	4pol 11h	5pol 11h	3pol 2h	4pol 2h	5pol 2h		
63	3		Order no. 12239						120034			555			
			Supply No. 5935-12-...						BS 049						
			VG type No. VG 96919...			BS 047			BS 049						
63	4		Order no. 120035			12953	120036		120037			590			
			Supply No. 5935-12-...			BS 030			BS 028						
			VG type No. VG 96919...			BS 031			BS 032						
63	5		Order no. 12341*			12088*	12240*		12241*			630			
			Supply No. 5935-12-...			347-4133									
			VG type No. VG 96919...			BS 010			BS 011						
125	3		Order no. 12954						120039			905			
			Supply No. 5935-12-...			BS 052			BS 054						
			VG type No. VG 96919...			BS 052			BS 054						
125	4		Order no. 120041			12955	120042		120043			965			
			Supply No. 5935-12-...			BS 035			BS 033						
			VG type No. VG 96919...			BS 036			BS 037						
125	5		Order no. 12342*			12191*	12343*		12264*			1045			
			Supply No. 5935-12-...			347-4132			347-3942						
			VG type No. VG 96919...			BS 014			BS 013						
						BS 015			BS 016						



4 MB 123

Ampere Poles	63 3	63 4	63 5	125 3	125 4	125 5
a	114.0	114.0	114.0	114.0	114.0	114.0
b	114.0	114.0	114.0	114.0	114.0	114.0
c	90.0	90.0	90.0	90.0	90.0	90.0
d	90.0	90.0	90.0	90.0	90.0	90.0
e Ø	5.5	5.5	5.5	6.5	6.5	6.5
f	12.0	12.0	12.0	12.0	12.0	12.0
h	65.0	65.0	65.0	82.0	82.0	82.0
i	82.0	82.0	82.0	90.0	90.0	90.0
k	92.0	92.0	92.0	92.0	92.0	92.0
l	92.0	92.0	92.0	105.0	105.0	105.0
α	15°	15°	15°	15°	15°	15°
Cond. mm² min	6.0	6.0	6.0	25.0	25.0	25.0
Cond. mm² max	25.0	25.0	25.0	70.0	70.0	70.0

* Approval according to VG 96919

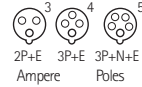
TN PLUGS

- Colour: bronze-green RAL 6031-F9
- IEC 60309, EN 60309, VDE 0623, VG 96919
- Protection degree IP67

Plug TE-Plus with Multi-Grip

- Screwless terminals
- High-temperature-resistant contact carrier
- Nickel plated contacts
- With protective cap
- Special gland, simultaneous cable gland and seal
- Protection degree IP67

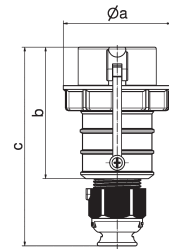
(Form CP)



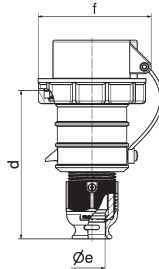
Order no.	Supply No. 5935-12-...	VG type No. VG 96919...	230V 50-60 Hz			400V 50-60 Hz			440V 60 Hz			301-500Hz > 50V			9 each
			3pol 6h	4pol 9h	5pol 9h	3pol 9h	4pol 6h	5pol 6h	4pol 11h	5pol 11h	3pol 2h	4pol 2h	5pol 2h		
16 3			21220*									210403	180		
			312-5515												
			CP 017										CP 039		
16 4			210404	210077		210405						210406	230		
			CP 020	CP 018		CP 021						CP 022			
16 5			21423*	21208*		21424*						21425*	265		
			300-3599												
			CP 002	CP 001		CP 003						CP 004			
32 3			21221									210408	340		
			CP 042									CP 044			
32 4			210409	210078		210410						210411	380		
			CP 025	CP 023		CP 026						CP 027			
32 5			21426*	21209*		21427*						21380*	420		
			300-3596			348-5139						312-4197			
			CP 006	CP 005		CP 007						CP 008			



Fig.: Type 21208



2 MB 95

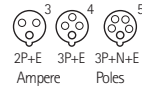


Ampere Poles	16 3	16 4	16 5	32 3	32 4	32 5
a Ø	70.0	78.0	86.0	94.0	94.0	101.0
b	103.5	104.0	105.5	127.0	127.0	129.5
c	153.5	154.0	160.5	187.0	187.0	193.5
d	111.0	111.0	119.0	136.0	136.0	138.5
e Ø	18.0	18.0	21.0	23.5	23.5	27.0
f	75.5	82.5	91.0	96.5	96.5	104.5
Cond. mm² min	1.0	1.0	1.0	2.5	2.5	2.5
Cond. mm² max	2.5	2.5	2.5	6.0	6.0	6.0

Plug TE with Multi-Grip

- Screw terminals
- High-temperature-resistant contact carrier
- Box terminals
- Nickel plated contacts
- Special gland, simultaneous cable gland and seal
- With protective cap
- Screwless enclosure connection, self locking
- Protection degree IP67

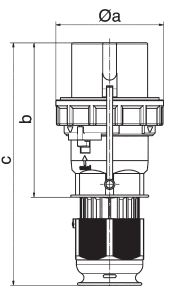
(Form CP)



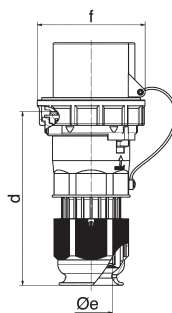
Order no.	Supply No. 5935-12-...	VG type No. VG 96919...	230V 50-60 Hz			400V 50-60 Hz			440V 60 Hz			301-500Hz > 50V			9 each
			3pol 6h	4pol 9h	5pol 9h	3pol 9h	4pol 6h	5pol 6h	4pol 11h	5pol 11h	3pol 2h	4pol 2h	5pol 2h		
63 3			210256									210413	695		
			CP 047									CP 049			
63 4			210414	210263		210415						210417	755		
			CP 000	CP 028		CP 031						CP 032			
63 5			21428*	21210*		21429*						21430*	815		
			300-5325												
			CP 010	CP 009		CP 0011						CP 012			
125 3			210264									210419	1115		
			CP 052									CP 054			
125 4			210421	210265		210422						210423	1220		
			CP 035	CP 033		CP 036						CP 037			
125 5			21431*	21033*		21432*						21433*	1330		
			327-8595												
			CP 014	CP 013		CP 015						CP 016			



Fig.: Type 21210



2 MB 107



Ampere Poles	63 3	63 4	63 5	125 3	125 4	125 5
a Ø	113.5	113.5	113.5	126.0	126.0	126.0
b	169.0	169.0	169.0	185.0	185.0	185.0
c	250.0	250.0	250.0	286.0	286.0	286.0
d	171.0	171.0	171.0	206.0	206.0	206.0
e Ø	36.0	36.0	36.0	50.0	50.0	50.0
f	112.5	112.5	112.5	125.0	125.0	125.0
Cond. mm² min	6.0	6.0	6.0	16.0	16.0	16.0
Cond. mm² max	25.0	25.0	25.0	50.0	50.0	50.0

* Approval according to VG 96919

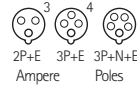
TN APPLIANCE INLETS WITH FLANGE

- Colour: bronze-green RAL 6031-F9
- IEC 60309, EN 60309, VDE 0623, VG 96919
- Protection degree IP67

Appliance Inlet with Flange

- Screw terminals
- High-temperature-resistant contact carrier
- Nickel plated contacts
- With protective cap
- Flange 85 x 85 mm
- Protection degree IP67

(Form BP)



230V
50-60 Hz

400V
50-60 Hz

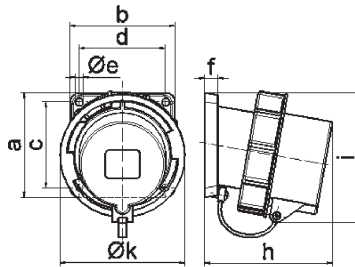
440V
60 Hz

301-500Hz
> 50V

Order no.	Supply No. 5935-12-...	VG type No. VG 96919...	3pol 4pol 5pol 6h 9h 9h	3pol 4pol 5pol 9h 6h 6h	4pol 5pol 11h 11h	3pol 4pol 5pol 2h 2h 2h	9 each
16 3	Order no. 27046*	BP 013	319-7028			BP 039	205
16 4	Order no. 27287	BP 020		27204	27288	BP 022	230
16 5	Order no. 27104*	BP 002		300-3598		BP 004	260
32 3	Order no. 2745	BP 042				BP 044	305
32 4	Order no. 27292	BP 025		27201	27293	BP 027	330
32 5	Order no. 27107*	BP 006		188-9997		BP 008	365



Fig.: Type 2703



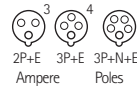
5 MB 31

Ampere Poles	16 3	16 4	16 5	32 3	32 4	32 5
a	85.0	85.0	85.0	85.0	85.0	85.0
b	85.0	85.0	85.0	85.0	85.0	85.0
c	70.0	70.0	70.0	70.0	70.0	70.0
d	70.0	70.0	70.0	70.0	70.0	70.0
e Ø	6.3	6.3	6.3	6.3	6.3	6.3
f	11.0	11.0	11.0	11.0	11.0	11.0
h	94.0	94.0	94.0	105.0	105.0	105.0
i	94.0	97.0	101.0	103.0	103.0	107.0
k	70.5	78.5	86.5	94.0	94.0	101.5
Cond. mm² min	1.0	1.0	1.0	2.5	2.5	2.5
Cond. mm² max	2.5	2.5	2.5	6.0	6.0	6.0

Appliance Inlet with Flange

- Screw terminals
- High-temperature-resistant contact carrier
- Box terminals
- Nickel plated contacts
- With protective cap
- Flange 107 x 100 mm for 63A, 130 x 120 mm for 125A
- Protection degree IP67

(Form BP)



230V
50-60 Hz

400V
50-60 Hz

440V
60 Hz

301-500Hz
> 50V

Order no.	Supply No. 5935-12-...	VG type No. VG 96919...	3pol 4pol 5pol 6h 9h 9h	3pol 4pol 5pol 9h 6h 6h	4pol 5pol 11h 11h	3pol 4pol 5pol 2h 2h 2h	9 each
63 3	Order no. 27267	BP 047				BP 049	630
63 4	Order no. 27296	BP 030		27268	27297	BP 032	695
63 5	Order no. 27109*	BP 010		2704*	27110*	BP 012	750
125 3	Order no. 27269	BP 052				BP 054	1010
125 4	Order no. 27300	BP 035		27270	27301	BP 037	1125
125 5	Order no. 27303	BP 015		300-5323		BP 017	1220

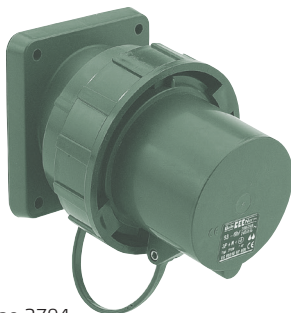
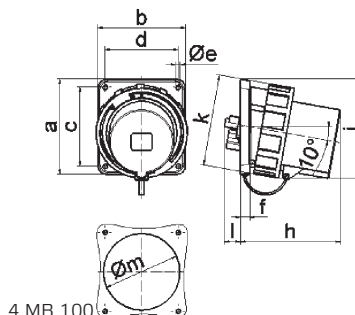


Fig.: Type 2704



4 MB 100

Ampere Poles	63 3	63 4	63 5	125 3	125 4	125 5
a	107.0	107.0	107.0	130.0	130.0	130.0
b	100.0	100.0	100.0	120.0	120.0	120.0
c	85.0	85.0	85.0	108.0	108.0	108.0
d	77.0	77.0	77.0	100.0	100.0	100.0
e Ø	6.5	6.5	6.5	6.5	6.5	6.5
f	12.0	12.0	12.0	13.0	13.0	13.0
h	142.0	142.0	142.0	134.0	134.0	134.0
i	124.0	124.0	124.0	138.0	138.0	138.0
k	113.5	113.5	113.5	126.0	126.0	126.0
l	---	---	---	23.0	23.0	23.0
m Ø	---	---	---	105.0	105.0	105.0
Cond. mm² min	6.0	6.0	6.0	16.0	16.0	16.0
Cond. mm² max	16.0	16.0	16.0	50.0	50.0	50.0

* Approval according to VG 96919

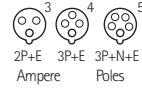
TN APPLIANCE INLETS WITH FLANGE, straight

- Colour: bronze-green RAL 6031-F9
- IEC 60309, EN 60309, VDE 0623, VG 96919
- Protection degree IP67

Appliance Inlet with Flange

- Screw terminals
- High-temperature-resistant contact carrier
- Nickel plated contacts
- With protective cap
- Flange 85 x 85 mm
- Protection degree IP67

(Form AP)



230V
50-60 Hz

400V
50-60 Hz

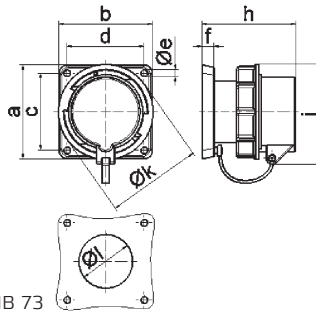
440V
60 Hz

301-500Hz
> 50V

Supply No.	Poles	Order no.	Ampere		Poles	Supply No.	Poles	Order no.	Supply No.	Poles	Order no.	Supply No.	Poles	Order no.	Supply No.	Poles	Order no.
			3pol	4pol													
16	3	Order no. 2892	6h	9h	9h	16	3	Order no. 2893	16	4	Order no. 2894	16	5	Order no. 2895	32	3	Order no. 2896
		Supply No. 5935-12-...						AP 037			AP 017			AP 001			AP 042
		VG type No. VG 96919...															AP 022
																	2897
																	AP 005
																	360



Fig.: Type 2897



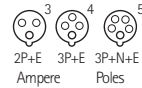
5 MB 73

Ampere Poles	16 3	16 4	16 5	32 3	32 4	32 5
a	85.0	85.0	85.0	85.0	85.0	85.0
b	85.0	85.0	85.0	85.0	85.0	85.0
c	70.0	70.0	70.0	70.0	70.0	70.0
d	70.0	70.0	70.0	70.0	70.0	70.0
e Ø	6.3	6.3	6.3	6.3	6.3	6.3
f	11.0	11.0	11.0	11.0	11.0	11.0
h	84.0	84.0	85.0	94.0	94.0	94.0
i	82.5	86.0	91.0	96.5	96.5	104.0
k Ø	70.5	78.5	86.5	94.0	94.0	101.5
l Ø	49.0	49.0	49.0	49.0	49.0	49.0
Cond. mm² min	1.0	1.0	1.0	2.5	2.5	2.5
Cond. mm² max	2.5	2.5	2.5	6.0	6.0	6.0

Appliance Inlet with flange

- Screw terminals
- High-temperature-resistant contact carrier
- Box terminals
- Nickel plated contacts
- With protective cap
- Flange 110 x 106 mm for 63A, flange 120 x 120 mm for 125A
- Protection degree IP67

(Form AP)



230V
50-60 Hz

400V
50-60 Hz

440V
60 Hz

301-500Hz
> 50V

Supply No.	Poles	Order no.	Ampere		Poles	Supply No.	Poles	Order no.	Supply No.	Poles	Order no.	Supply No.	Poles	Order no.	Supply No.	Poles	Order no.
			3pol	4pol													
63	3	Order no. 28042	6h	9h	9h	63	3	Order no. 28000	63	4	Order no. 2853	63	5	Order no. 28043	125	3	Order no. 28044
		Supply No. 5935-12-...						AP 047			AP 027			AP 009			AP 032
		VG type No. VG 96919...															28045
																	AP 013
																	725

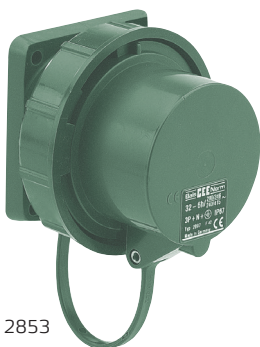
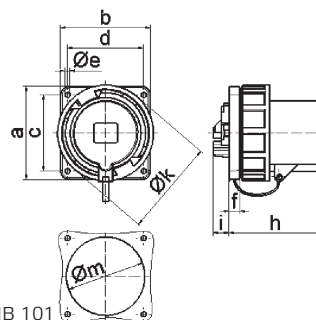


Fig.: Type 2853



5 MB 101

Ampere Poles	63 3	63 4	63 5	125 3	125 4	125 5
a	110.0	110.0	110.0	120.0	120.0	120.0
b	106.0	106.0	106.0	120.0	120.0	120.0
c	90.0	90.0	90.0	100.0	100.0	100.0
d	90.0	90.0	90.0	100.0	100.0	100.0
e Ø	5.5	5.5	5.5	6.5	6.5	6.5
f	13.0	13.0	13.0	13.0	13.0	13.0
h	114.0	114.0	114.0	121.0	121.0	121.0
i	19.0	19.0	19.0	20.0	20.0	20.0
k Ø	113.5	113.5	113.5	126.0	126.0	126.0
m Ø	93.0	93.0	93.0	104.0	104.0	104.0
Cond. mm² min	6.0	6.0	6.0	16.0	16.0	16.0
Cond. mm² max	16.0	16.0	16.0	50.0	50.0	50.0

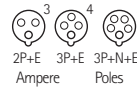
TN CONNECTORS

- Colour: bronze-green RAL 6031-F9
- IEC 60309, EN 60309, VDE 0623, VG 96919
- Protection degree IP67

Connector TE-Plus with Multi-Grip

- Screwless terminals
- Kontex contact
- High-temperature-resistant contact carrier
- Nickel plated contacts
- Special gland, simultaneous cable gland and seal
- Protection degree IP67

(Form DS)



230V 50-60 Hz		
3pol	4pol	5pol
6h	9h	9h

400V 50-60 Hz		
3pol	4pol	5pol
9h	6h	6h

440V 60 Hz		
4pol	5pol	
11h	11h	

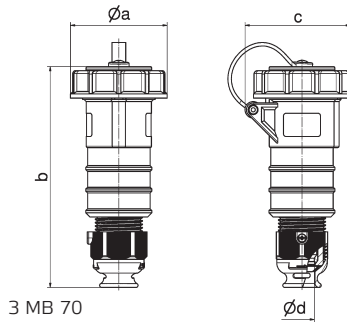
301-500Hz > 50V		
3pol	4pol	5pol
2h	2h	2h

9 each

16	3	Order no.	31162*				310163	180
		Supply No. 5935-12-...	312-5516					
16	4	Order no.	310165	31865	310167	310168	215	
		Supply No. 5935-12-...	DS 020	DS 018	DS 021	DS 022		
16	5	Order no.	31318*	31150*	31319*	31320*	255	
		Supply No. 5935-12-...	DS 002	300-3600	DS 001	DS 003		
32	3	Order no.	31032				310194	325
		Supply No. 5935-12-...	DS 042			DS 044		
32	4	Order no.	310169	31866	310171	310172	355	
		Supply No. 5935-12-...	DS 025	DS 023	DS 026	DS 027		
32	5	Order no.	31321*	31151*	31322*	31323*	410	
		Supply No. 5935-12-...	DS 006	300-3597	DS 007	312-4196		
		VG type No. VG 96919...	DS 008	DS 005	DS 008	DS 008		



Fig.: Type 3151



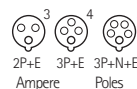
3 MB 70

Ampere Poles	16 3	16 4	16 5	32 3	32 4	32 5
a Ø	70.5	78.0	86.5	94.0	94.0	101.5
b	161.0	161.0	168.0	196.0	196.0	200.0
c	77.0	83.0	93.0	99.0	99.0	107.0
d Ø	18.0	18.0	21.0	23.0	23.0	27.0
Cond. mm² min	1.0	1.0	1.0	2.5	2.5	2.5
Cond. mm² max	2.5	2.5	2.5	6.0	6.0	6.0

Connector with Multi-Grip

- Screw terminals
- High-temperature-resistant contact carrier
- Box terminals
- Kontex contact
- Nickel plated contacts
- Special gland, simultaneous cable gland and seal
- Screwless enclosure connection, self locking
- Protection degree IP67

(Form DS)



230V 50-60 Hz		
3pol	4pol	5pol
6h	9h	9h

400V 50-60 Hz		
3pol	4pol	5pol
9h	6h	6h

440V 60 Hz		
4pol	5pol	
11h	11h	

301-500Hz > 50V		
3pol	4pol	5pol
2h	2h	2h

9 each

63	3	Order no.	310058				310177	760
		Supply No. 5935-12-...	DS 047			DS 049		
63	4	Order no.	310174	31877	310175	310176	770	
		Supply No. 5935-12-...	DS 030	DS 028	DS 031	DS 032		
63	5	Order no.	31324*	31152*	31325*	31326*	785	
		Supply No. 5935-12-...	DS 010	300-5326	DS 011	DS 012		
125	3	Order no.	310059				310179	1160
		Supply No. 5935-12-...	DS 052			DS 054		
125	4	Order no.	310180	310060	310182	310183	1255	
		Supply No. 5935-12-...	DS 035	DS 033	DS 036	DS 037		
125	5	Order no.	31327*	31027*	31328*	31329*	1350	
		Supply No. 5935-12-...	DS 014	322-8597	DS 015	DS 016		
		VG type No. VG 96919...	DS 014	DS 013	DS 015	DS 016		

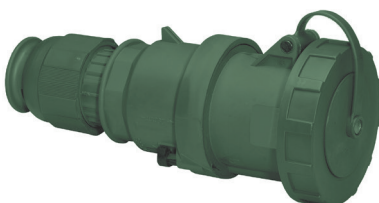
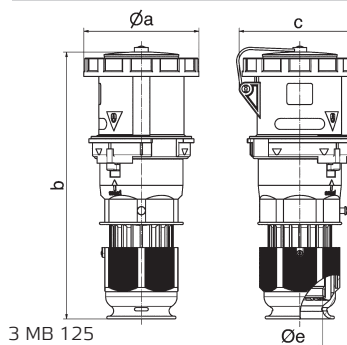


Fig.: Type 31152



3 MB 125

Ampere Poles	63 3	63 4	63 5	125 3	125 4	125 5
a Ø	110.0	110.0	110.0	125.0	125.0	125.0
b	263.0	263.0	263.0	300.0	300.0	300.0
c	113.0	113.0	113.0	128.0	128.0	128.0
d Ø	36.0	36.0	36.0	50.0	50.0	50.0
Cond. mm² min	6.0	6.0	6.0	16.0	16.0	16.0
Cond. mm² max	16.0	16.0	16.0	50.0	50.0	50.0

* Approval according to VG 96919

DOMESTIC PLUGS AND SOCKETS

- Colour: bronze-green RAL 6031-F9
- VDE 0623, VG 96926
- Protection degree IP68

Domestic Panel Mounting Socket Outlet

- Screw terminals
- Nickel plated contacts
- 16A/230 V~
- Flange 75 x 75 mm
- Protection degree IP68

(Form AS)

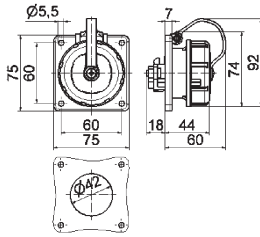


Fig.: Type 7108

18 MB 19

Order no. Supply No. VG type No.
5935-12... VG 96926...

German system **7108*** 312-5115 AS 001

Belgian/French system 7185

Domestic Panel Mounting Socket Outlet

- Screw terminals
- Nickel plated contacts
- 16A/230 V~
- Protection degree IP68

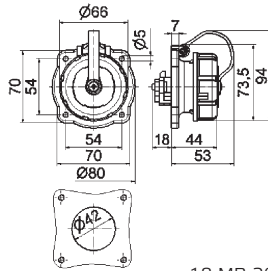


Fig.: Type 7114

18 MB 20

Order no.

German system **7114**

Belgian/French system 71031

Domestic Panel Mounting Socket Outlet

- Screw terminals
- Nickel plated contacts
- 16A/230 V~
- Protection degree IP68

(Form BS)

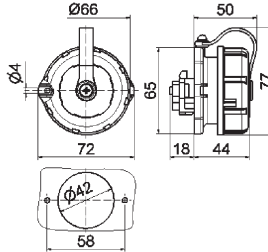


Fig.: Type 7115

18 MB 21

Order no. Supply No. VG type No.
5935-12... VG 96926...

German System **7115*** 314-4770 BS 001

Belgian/French system 7186

Domestic Plug

- Screw terminals
- Nickel plated contacts
- 16A/230 V~
- With closure cap
- Protection degree IP68

(Form CP)

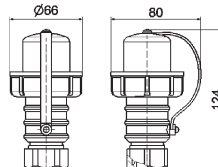


Fig.: Type 735

18 MB 18

Order no. Supply No. VG type No.
5935-12... VG 96926...

735* 141-3149 CP 001

Domestic Appliance Inlet with Flange

- Screw terminals
- Nickel plated contacts
- 16A/230 V~
- With closure cap
- Flange 75 x 75 mm
- Protection degree IP68

(Form AP)

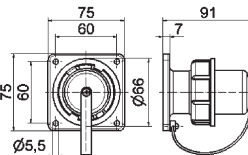


Fig.: Type 753

18 MB 16

Order no. Supply No. VG type No.
5935-12... VG 96926...

753* 340-7272 AP 001

Domestic Connector

- Screw terminals
- Nickel plated contacts
- 16A/230 V~
- Protection degree IP68

(Form DS)

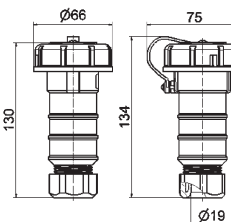


Fig.: Type 745

18 MB 26

Order no. Supply No. VG type No.
5935-12... VG 96926...

German system **745*** 314-4771 DS 001

Belgian/French system **7424**

* Approval according to VG 96919

DOMESTIC PLUGS AND SOCKETS/ ACCESSORIES

- Colour: bronze-green RAL 6031-F9
- VDE 0623, VG 96926
- Protection degree IP68

Domestic Three-way Connector

- Screw terminals
- Nickel plated contacts
- 16A/230 V~
- With closure cap, hanging bracket, cable gland
- Protection degree IP68

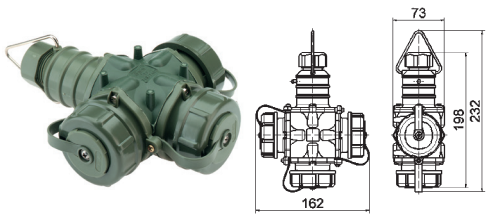


Fig.: Type 7400

18 MB 27

Order no.

German system **7400**

Belgian/French system 7423

Closure Cap with Strap

- for CEE plugs



Fig.: Type 8337

Ampere/ poles	Order no.	Supply No.	VG type No.
		5935-12-...	VG 96926...
16A/ 3p	8335		
16A/ 4p	8336		
16A/ 5p	8337		
32A/ 3p, 4p	8338		
32A/ 5p	8339		
63A/ 3p, 4p, 5p	8340		
125A/ 3p, 4p, 5p	8341		

Hinged Window

- Self-closing
- With touch protection
- With option for lock set

Hinged Window

- Self-closing
- Without touch protection
- With option for lock set

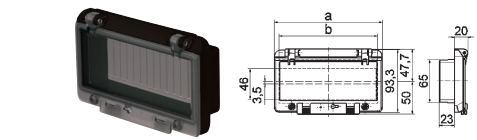


Fig.: Type 58110

30 MB 096

Module units	a	Dimension b	Order no.
4	91.0	76.5	58388
6	127.0	112.5	58590
8	162.0	147.5	58110
12	234.0	220.0	58111
13	257.5	248.5	58387

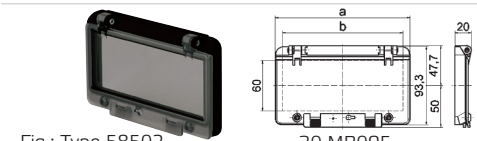


Fig.: Type 58502

30 MB095

2	55.0	37.0	58511
4	91.0	73.0	580020
6	127.0	109.0	58503
8	162.0	144.5	58502
12	234.0	217.0	58602
13	257.5	240.0	58607

Hinged Window

- Self-closing
- With touch protection
- With option for lock set
- With mounting bracket

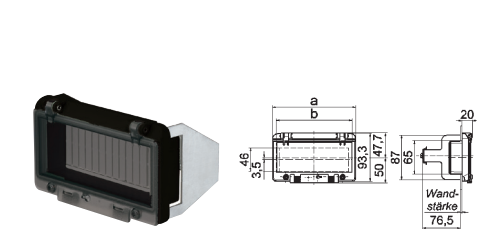


Fig.: Type 58143

30 MB 097

Module units	a	Dimension b	Order no.
4	91.0	76.5	58517
6	127.0	112.5	580141
8	162.0	147.5	580143
12	234.0	220.0	580144
13	257.5	248.5	580145

In the case of hinged windows for use with DIN screws (order no. 58036), add -GWE to the end of the order number.

Order no. **58037-BE**

Lock set

- Protection against unauthorised use by means of retrofittable lock



Order no. **58036**

DIN screw

- For additional locking device
- Retrofittable

Can only be used in operating windows with order No.-GWE.



