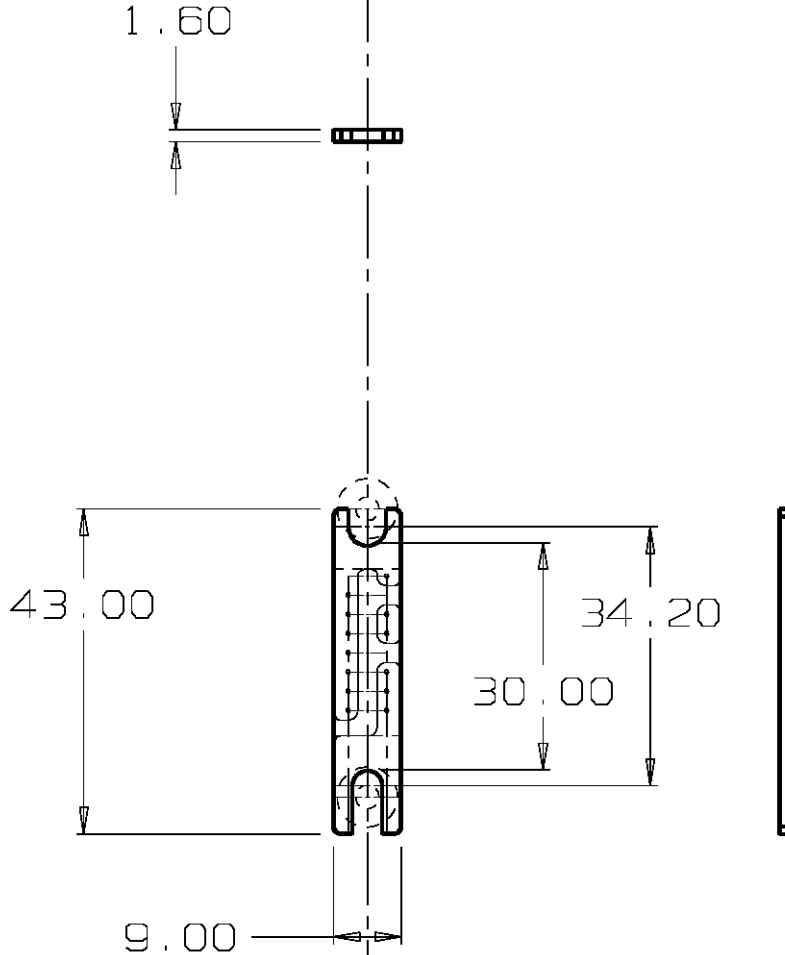


# CASA Part Number Composition

Example = 44A-xxxA-xxV-RLED-xxx  
 44A = fuse series  
 xxxA = continuous rated current in milliamperes  
 xxV = nominal circuit voltage (for trip-LED option)  
 RLED = optional red LED trip indicator  
 xxx = custom suffix if/as appropriate



NOTES - The PCB component may be supplied bare or with a pre-fitted industry standard fuse element as specified/choosen from available stocks.

The fusing charistic will be according to the OEM fuse maker's specifications. Please match your application requirements to the fuse makers published specifications.

The LED trip-signal is only visible when the fuse element blows and there is 'normal' voltage supply to the circuit. A small current flow is required to illuminate the LED so this tell-tale is only active when some suitable current flows.

MATERIAL	Fibre-Glass PCB
ALLOY	G10-DS-1oz
EST. AREA	TBA mm
EST. WEIGHT	TBA kg/m
EST. PERIPHERY	EXT: 354 mm TOT: 354 mm
TOLERANCE	0.00mm ±0.1mm 00.0mm ±0.25mm 0000mm ±0.5mm 0-600mm ±0.1mm > 600mm ±0.5mm
	BS1474:1987 APPLIES UNLESS OTHERWISE SPECIFIED
JOB No.	3210

	CUSTOMER :	CASA Modular Systems		SIZE	DRAWING Reference No.	ISSUE
	DESCRIPTION :	Series 44A GrassHopper Fuse Blank		A4	44A-FUSE	A
P.O. BOX 38-828, WELLINGTON, NEW ZEALAND TELEPHONE : (+64-4) 9393 777 eMail : sales@casa.co.nz	DRAWN :	DATE :	APPROVED :	DWG. SCALE :	© COPYRIGHT : CASA Modular Systems ALL RIGHTS RESERVED	
	A.W.D	13/08/19	?	1:1		