

**L1045/C3 SINGLE CHASSIS MOUNTING
FUSEBOX**

A strong fusebox which has been designed to take 32mm x 6.3mm fuse links which are held in the lid and automatically exposed and isolated from the circuit when the lid is raised. Leads may be inserted through the base or through the ends of the box. The lid is retained by a spring.

CURRENT RATING: 10A (temperature rise to 40 °C)

TEMPERATURE RANGE: -40°C to +85°C (ambient)

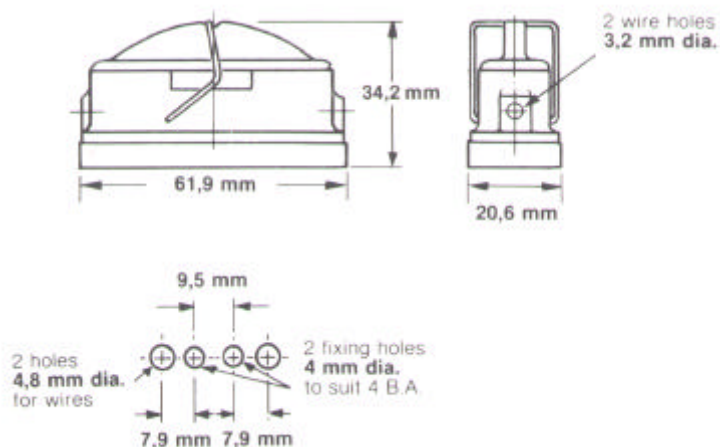
BREAKDOWN VOLTAGE: 4kV (to chassis)

INSERTION RESISTANCE <10 milliohms

INSULATION RESISTANCE 100 megohms

MATERIAL: Moulding: phenolic

ORDERING REFERENCE: L1045/C3



BLP reserve the right to change without prior notice the information contained within this leaflet

BLP Components Ltd., Exning Road, Newmarket, Suffolk, CB8 0AX, England
Tel: +44 (0)1638 665161 Fax: +44 (0)1638 660718 email: sales@blpcomp.com <http://www.blpcomp.com>