

**L675 PANEL FUSEHOLDER BARRIER &  
PANEL SEALED**

Design facilitates use for size 00 fuse links. This is a rugged fuseholder and was specially designed for Services use with heavy duty (high rupturing capacity) fuse links. It is not suitable for use with Glass cartridge fuse links

**CURRENT RATING:** 2A (temperature rise to  $\leq 40^{\circ}\text{C}$ )

**TEMPERATURE RANGE:**  $-55^{\circ}\text{C}$  to  $+70^{\circ}\text{C}$  (ambient)

**BREAKDOWN VOLTAGE:** 9kV (sea level)

**INSERTION RESISTANCE** 5 milliohms (average)

**INSULATION RESISTANCE**  $\geq 100$  megohms

**PANEL THICKNESS (MAX):** 3.8mm

**FIXING TORQUE:** 0.62 Nm

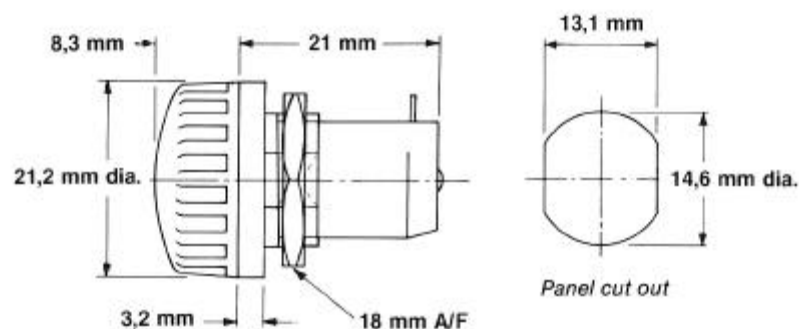
**HUMIDITY:** H5

**MATERIAL:** Moulding, phenolic

**WEIGHT:** 13.7g

**APPROVALS:** Conforms to DEF 59-100

**ORDERING REFERENCE:** L675



Dialight BLP reserve the right to change without prior notice the information contained within this leaflet

Dialight BLP Ltd., Exning Road, Newmarket, Suffolk, CB8 0AX, England  
Tel: +44 (0)1638 665161 Fax: +44 (0)1638 660718 email: sales@blpcomp.com <http://www.blpcomp.com>