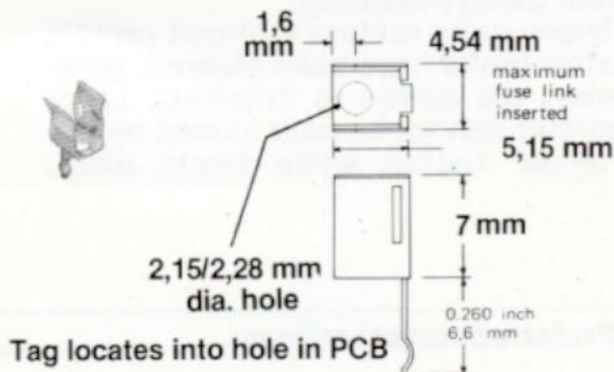




Y2463

Fuseclip for 20x5 mm fuselinks

This fuseclip is designed to mount on Printed Circuit boards. Produced in beryllium copper for extra resilience it contains a stop to prevent axial displacement of the fuselink.



Current rating: 6.3 A

Material: Beryllium copper,
silver plated

Ordering reference: Y2463

Y2463 Recommended PCB mounting
hole dimensions.

