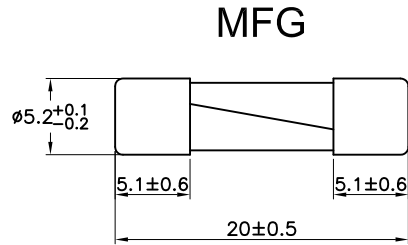
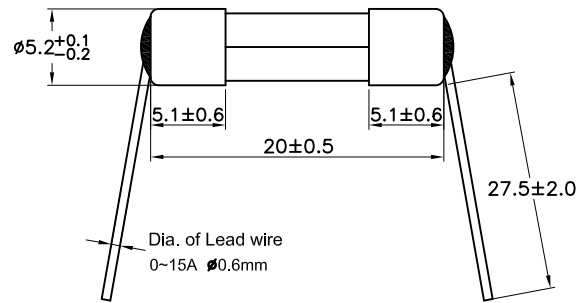


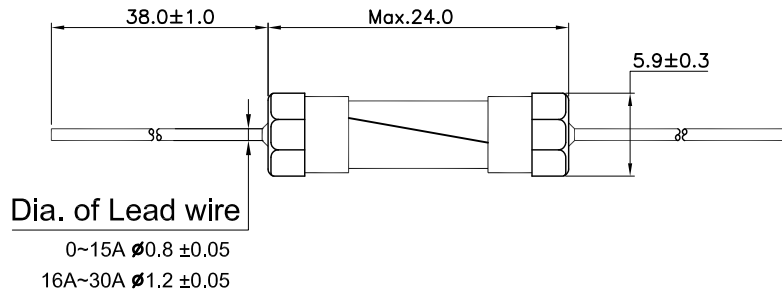
Dimensions in mm



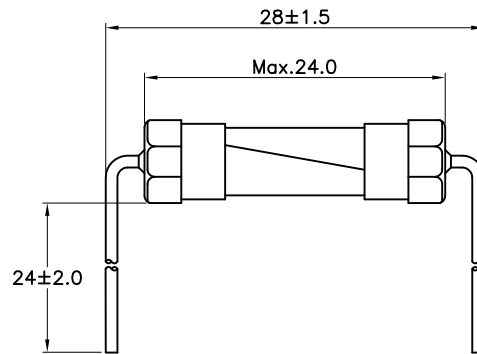
MFG-P



MFG-PA



MFG-PR



Test Specification according to Standard UL 248-1,14

Electrical Characteristic

Rated Current	1.0 I_n	1.35 I_n	2 I_n
I_n	Min.	Max.	Max.
100mA-30A	4 h	3600 S	120 S

Rated Current	Breaking capacity	Rated Voltage	MFG52/-P-PA-PR		
			UL	SE	JET
100mA	@125V/AC 10KA @250V/AC 35A	125V/250V	○	○	
125mA		125V/250V	○	○	
160mA		125V/250V	○	○	
200mA		125V/250V	○	○	
250mA		125V/250V	○	○	
300mA		125V/250V	○	○	
315mA		125V/250V	○	○	
400mA		125V/250V	○	○	
500mA		125V/250V	○	○	
600mA		125V/250V	○	○	
630mA		125V/250V	○	○	
700mA		125V/250V	○	○	
750mA		125V/250V	○	○	
800mA		125V/250V	○	○	
1A		125V/250V	○	○	○
1.25A	@125V/AC 10KA @250V/AC 100A	125V/250V	○	○	○
1.5A		125V/250V	○	○	○
1.6A		125V/250V	○	○	○
2A		125V/250V	○	○	○
2.5A		125V/250V	○	○	○
3A		125V/250V	○	○	○
3.15A		125V/250V	○	○	○
3.5A		125V/250V	○	○	○
4A		125V/250V	○	○	○
5A		125V/250V	○	○	○
6A	@125V/AC 10KA @250V/AC 200A	125V/250V	○	○	○
6.3A	125V/250V	○	○	○	
7A	125V/250V	○	○	○	
8A	125V/250V	○	○	○	
* 10A	125V/250V	○	○	○	
12A	@32V/AC 1000A	32V			
13A		32V			
15A		32V			
16A		32V			
20A		32V			
25A		32V			
30A		32V			

* PS:10A Approvals only 125V

UNLESS OTHERWISE SPECIFIED DIMENSIONS ARE IN mm TOLERANCE DECIMALS ANGULAR X ± 0.5 ± 2° XX ± 0.25 DO NOT SCALE DRAWING		CUSTOMER NO.	JENN FENG ELECTRIC INDUSTRIAL CO., LTD
		DRAWN BY Tim	
P/N		CHECKED BY	TITLE
REV E		APPROVED BY	5.2X20mm Miniature Cartridge Fuse
DATE 2017.09.19		SCALE	PART NO. MFG MFG-P/PA/PR
			DRAWING NO. AA05062101

