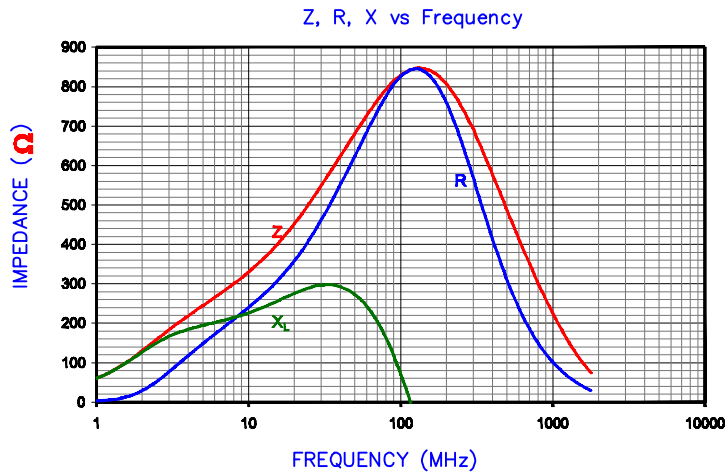
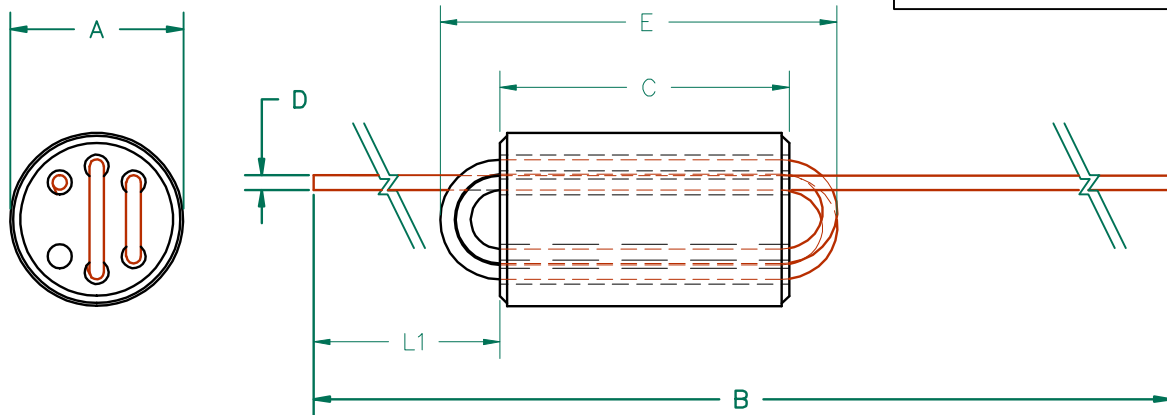


UNCONTROLLED DOCUMENT

SCALE DRAWING: 1:1



ELECTRICAL TESTING

TEST:	Z	Z
FREQUENCY	25 MHz	100 MHz
NOMINAL	538 Ω	835 Ω
MINIMUM	- Ω	626 Ω

NOTES: UNLESS OTHERWISE SPECIFIED

1. WIRE: 2-1/2 TURNS, 24 AWG 0.51 [.020] DIA,
2. PLATING: 100% TIN 5μ ± 2μ [200 μin ± 80μin]
3. REF. STEWARD CORE P/N 28C0236-000.
4. SOLDERABILITY:
 - A. LEADS SOLDERABILITY CONFORMS TO MIL-STD-202F, METHOD 208F.
5. WEIGHT/1000 1.22 kgs. 2.7 lbs.

AGILENT E4991A RF Impedance/Material Analyzer
HP 16194A Test Fixture

DIMENSIONS:

A	<u>6.00 [.236]</u>	+	<u>0.20 [.008]</u>
B	<u>86.46 [3.404]</u>	+	<u>6.35 [.250]</u>
C	<u>10.00 [.394]</u>	+	<u>0.25 [.010]</u>
D	<u>0.51 [.020]</u>	+	TYP.
E	<u>14.61 [.575]</u>	+	MAX.
L1	<u>38.10 [1.50]</u>	+	<u>3.18 [.125]</u>

DIMENSIONS ARE IN mm [INCHES]				This print is the property of Laird Tech. and is loaned in confidence subject to return upon request and with the understanding that no copies shall be made without the written consent of Laird Tech. All rights to design or invention are reserved.			
N	UPDATE COMPANY LOGO	12/16/08	JRK				
M	UPDATE COMPANY LOGO	04/16/07	JRK	PROJECT/PART NUMBER: 28C0236-0BW-10		REV	DRAWN BY:
L	REV A DIM & TOLS ADD ROHS SYMBOL	03/08/07	JRK			N	DJB
K	CORRECT REV BLOCK mm [INCHES]	10/20/06	JRK	DATE: 08/06/90		SCALE: 4:1	
J	CORRECT NOTE 5	07/07/05	JRK				
H	ADD RIGHT HAND VIEW OF PART UPDATE CENTER VIEW	12/09/03	JRK	CAD #		MATERIAL: NiZn Ferrite	
G	CORRECT END VIEW OF PART	12/09/03	JRK				
F	CHANGE P/N TO -10 REVISE NOTES 2&5	10/07/03	JRK	TOOL #		C0236	
E	ADD Z,R, XI CURVE UPDATE NOTES	05/15/02	JRK				
REV	DESCRIPTION	DATE	INT	28C0236-0BW-10-N			