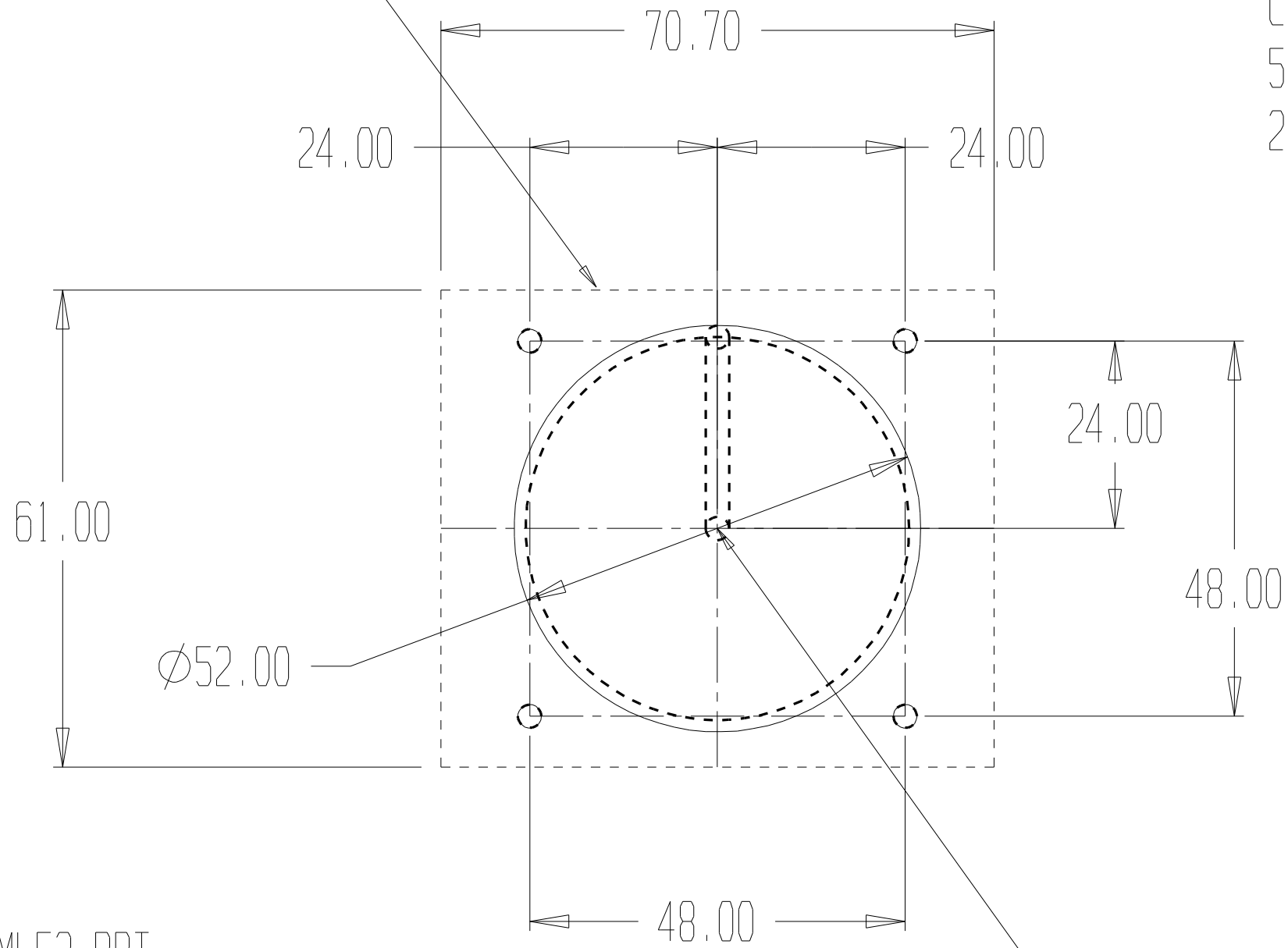


Outline of Meter Moulding

CNC Tool path
52D-4H.CNC
20/1/2006



ML52.PRT
20/01/2006

Pattern ML52.Ptn