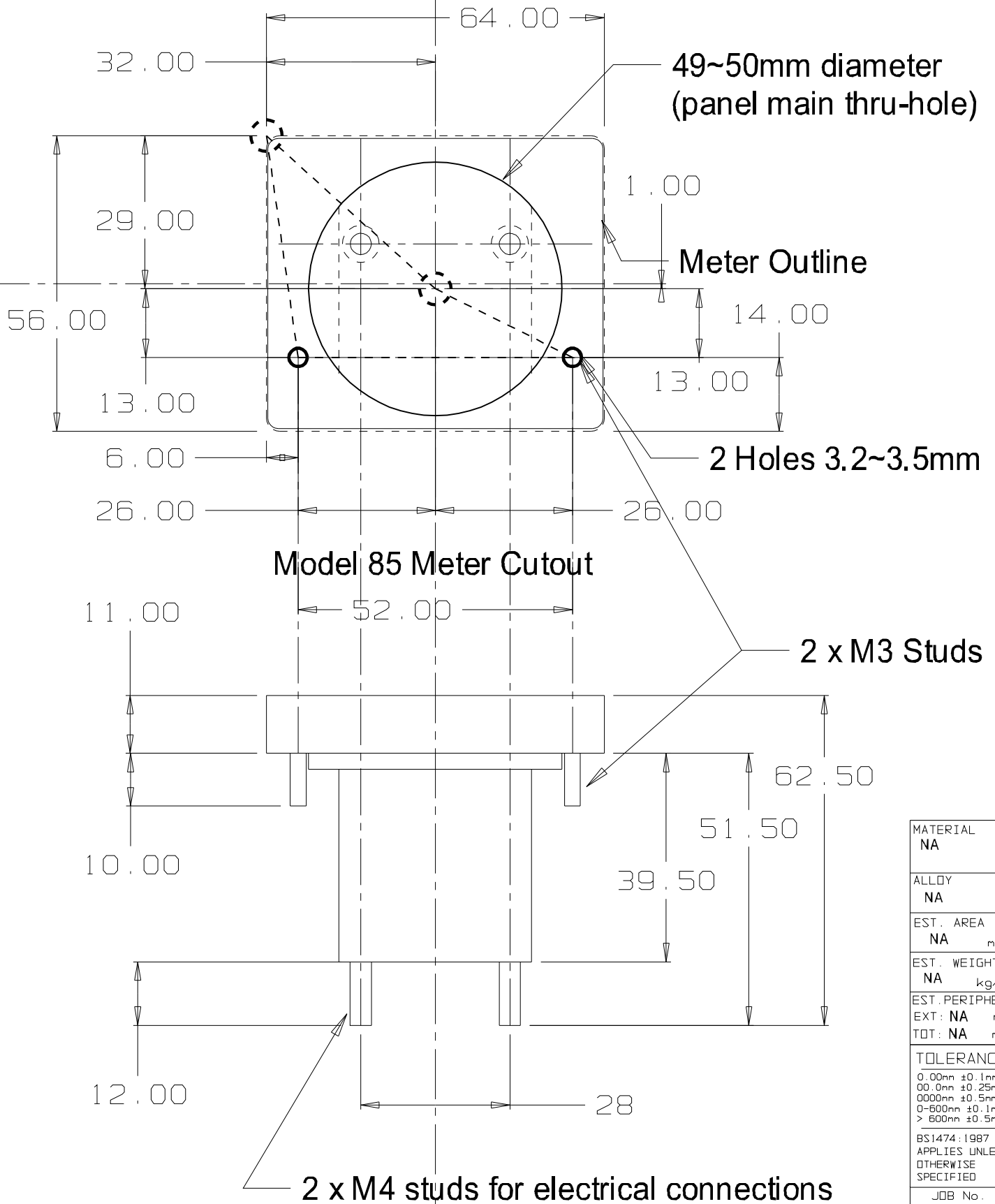


Size 85 Plastic Panel Meters - CASA Typical Type Numbers

3Aac-64x56-85L1-ZHFU

5Aac-64x56-85L1-ZHFU

300Vac-64x56-85L1-ZHFU



MATERIAL	NA
ALLOY	NA
EST. AREA	NA mm
EST. WEIGHT	NA kg/m
EST. PERIPHERY	EXT: NA mm
	TOT: NA mm
TOLERANCE	0.00mm ±0.1mm 00.00mm ±0.25mm 0000mm ±0.5mm 0-600mm ±0.1mm > 600mm ±0.5mm
	BS1474:1987 APPLIES UNLESS OTHERWISE SPECIFIED
JOB No.	300X

**CASA** Modular Systems  
 Petone 5012, WELLINGTON, NEW ZEALAND  
 TELEPHONE : (64-4) 9393 777  
 WWW : <https://www.casa.co.nz>

CUSTOMER : **CASA Modular Systems**  
 DESCRIPTION : **Panel Meter - 85 Size Panel Hole-Details**  
 DRAWN : **AWD**      DATE : **30/05/21**      APPROVED : **?**      DWG. SCALE : **1:1**

SIZE : **A4**      DRAWING Reference No. : **Meter-85**      ISSUE : **A**  
 © COPYRIGHT : CASA Modular Systems  
 ALL RIGHTS RESERVED