

Open Frame DC Operation B-4HD Series Box Frame

Part Number: B4HD - XXX - M- 36

Select from performance chart below

Specifications

Continuous Duty Cycle	100% at 20°C ambient temperature
Intermittent Duty Cycle	See below
Holding Force	11.7 lbs (52 N) at 20°C
Coil Insulation	Class "A": 105°C max. temperature standard. Other temperature classes are available
Coil Termination	3/16" QC
Plunger Weight	2.4 oz. (66.6 g)
Total Weight	13.5 oz. (382.7 g)
Dimensions	See page G36

Performance

Maximum Duty Cycle	100%	50%	25%	10%
Maximum ON Time (sec) when pulsed continuously	∞	83	34	13
Maximum ON Time (sec) for single pulse	∞	609	207	66
Watts (@ 20°C)	12.5	25	50	125
Ampere Turns (@ 20°C)	1536	2174	3073	4860

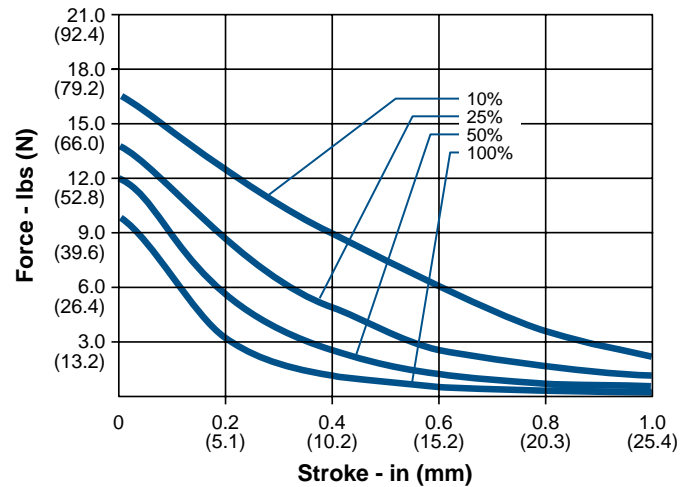
Coil Data

Part Number	Resistance (@20°C)	Ref # Turns	VDC (Nom)	VDC (Nom)	VDC (Nom)	VDC (Nom)
B4HD-255-M-36	2.94	754	6	8.5	12	19
B4HD-254-M-36	11.42	1467	12	17	24	38
B4HD-253-M-36	46.83	2964	24	34	48	76
B4HD-252-M-36	181	5724	48	68	96	152
B4HD-251-M-36	1157	14239	120	170	240	380

NOTES:

1. All data is typical.
2. Force testing is done with the solenoid in the horizontal position.
3. All data reflects operation with no heatsink.
4. Magnetic latching versions available. Pull versions standard; push versions available.
5. Other coil terminations available.
6. All specifications subject to change without notice.

Typical Force @ 20°C



How to Order

Select the part number from the table provided. (For example, to order a 25% duty cycle unit rated at 48 VDC, specify B4HD-255-M-36.

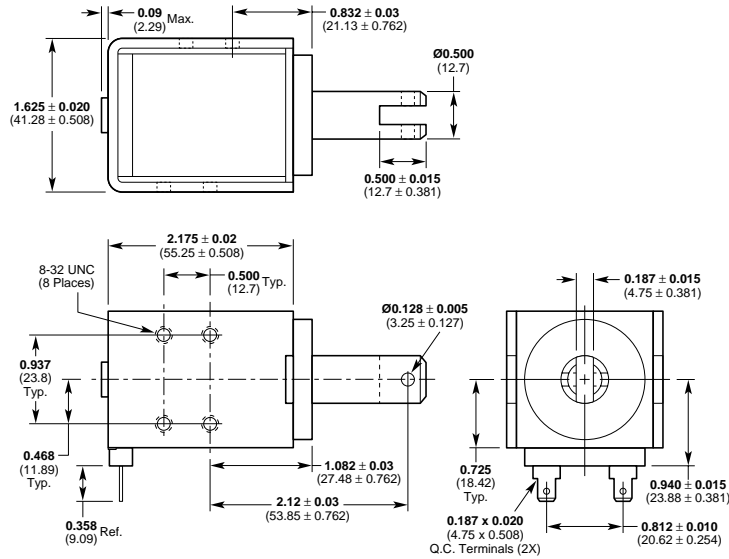
Please see www.ledex.com (click on Stock Products tab) for our list of stock products available through our North American distributors.

Open Frame Box Frame Solenoid Dimensions

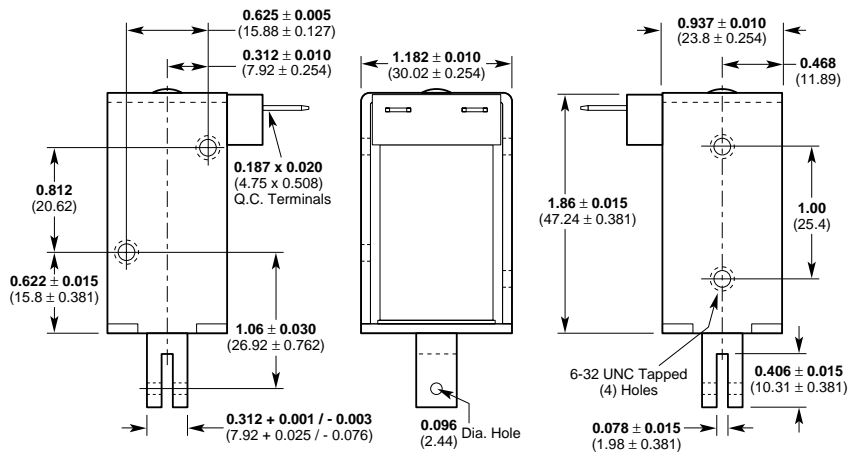
Inches (mm)

All solenoids are illustrated in energized state

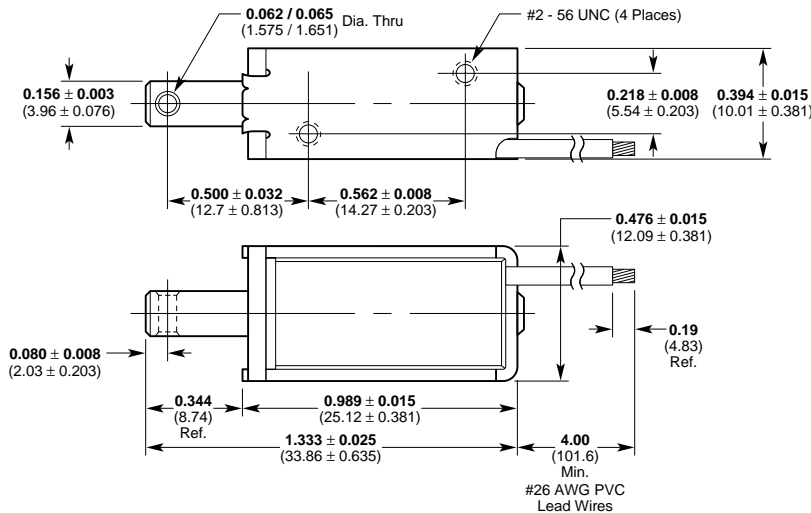
B-4HD



B-11



B-16



All specifications subject to change without notice.