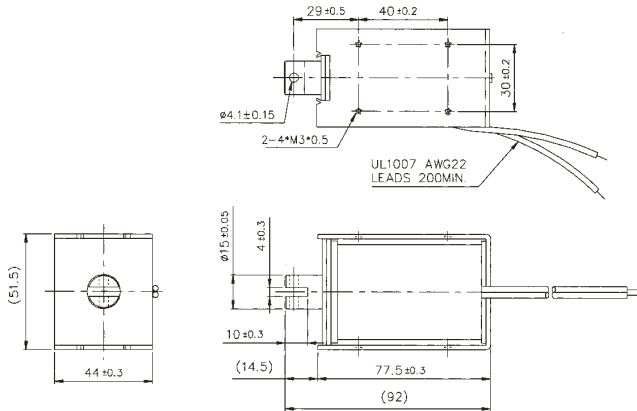
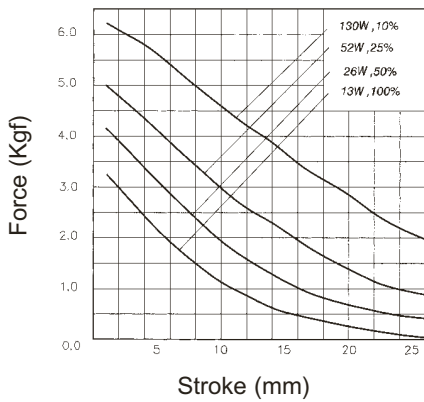


SDO-1578L

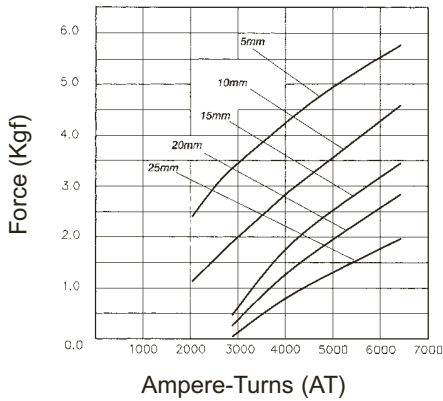


Solenoid Weight 800g – Plunger Weight 91g

STROKE Vs FORCE

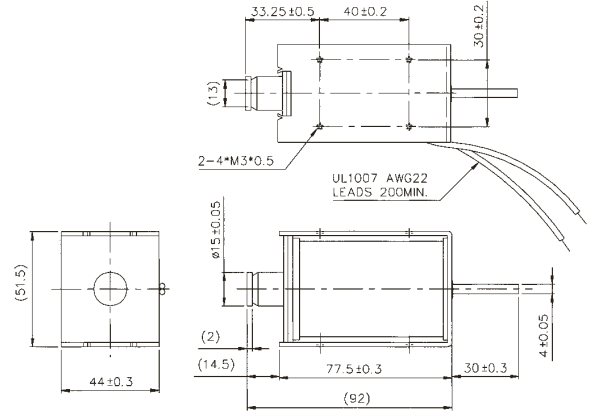


AMPERE-TURNS Vs FORCE



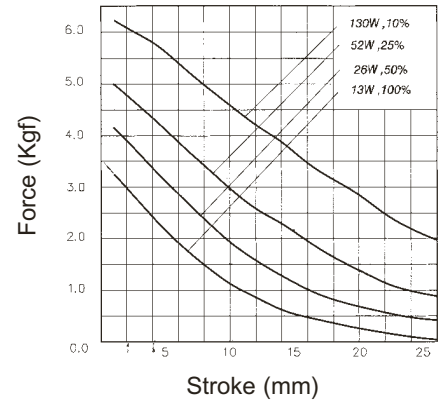
Maximum Duty Cycle (%)		Continuous	50%	25%	10%	
MAX. "on" time in seconds		∞	146	80	32	
Watts at 20°C		13	26	52	130	
Ampere-turns at 20°C		2030	2870	4060	6430	
Type no.	Resistance (20°C) Ω+10%	No. turns	Volts DC			
SDO-1578L06—	2.8	940	6	8.5	12	19
SDO-1578L12—	11.1	1930	12	17	24	38
SDO-1578L24—	44.3	3820	24	34	48	76
SDO-1578L48—	177	7400	48	68	96	152

SDO-1578S

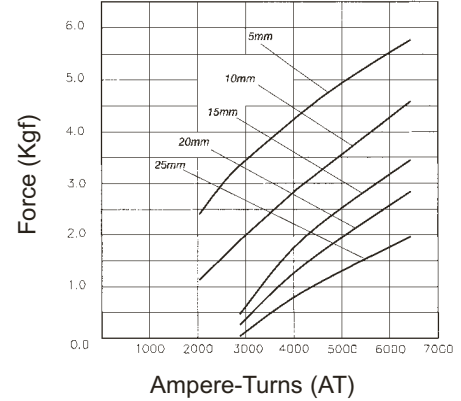


Solenoid Weight 800g – Plunger Weight 91g

STROKE Vs FORCE



AMPERE-TURNS Vs FORCE



Maximum Duty Cycle (%)		Continuous	50%	25%	10%	
MAX. "on" time in seconds		∞	160	80	32	
Watts at 20°C		13	26	52	130	
Ampere-turns at 20°C		2030	2870	4060	6430	
Type no.	Resistance (20°C) Ω+10%	No. turns	Volts DC			
SDO-1578S06—	2.8	940	6	8.5	12	19
SDO-1578S12—	11.1	1930	12	17	24	38
SDO-1578S24—	44.3	3820	24	34	48	76
SDO-1578S48—	177	7400	48	68	96	152