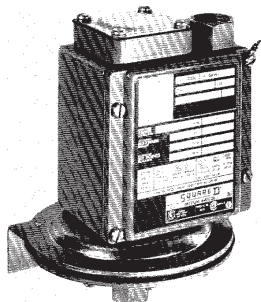


Vacuum Switches Ingress Protection IP66 □ (IEC 144)

Type GAW Diaphragm Actuated Vacuum Switches



Single Pole – Double Throw Contacts (1NO+1NC)

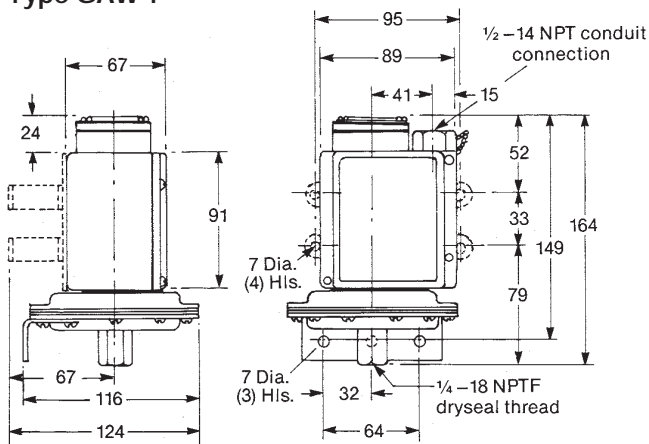
Range (Millibars)	Differential (Millibars)	Maximum allowable Positive Pressure PSIG	Order Class 9016 Type ...
996.0	27–305*	100	GAW-1
966.0	44–312# 169–678	100	GAW-2

* At low vacuum
At high vacuum

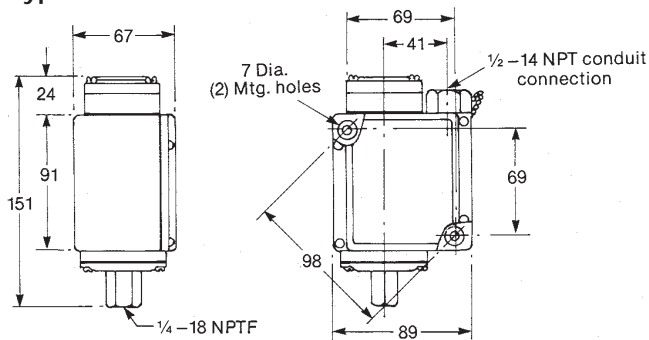
9012 GAW

Dimensions

Type GAW 1



Type GAW 2



Technical Data Pages 3b6 and 3b7
Modification Data Page 3b5

Ordering Instructions
State... **Class** and **Type**
Eg: Class **9016** Type **GAW-1**

□ When fitted with suitable cable gland or adequately sealed conduit entry.

Accessories, Replacement Parts and Modification Data

For use with	Description	Order Class 9998 Type...
Replacement Parts Kit		
GAWM 1.21 GDWM 1.21	Diaphragm Assembly	PC265
GAWM 2.22 GDWM 2.22	Diaphragm Assembly	PC266
GAWM 4.24 GDWM 4.24	Diaphragm Assembly	PC267
GAWM 5.25 GDWM 5.25	Actuator Assembly	PCM268
GAWM 6.26 GDWM 6.26	Actuator Assembly	PCM269
GBWM 1.21 GEWM 1.21	Actuator Assembly	PCM177
GBWM 2.22 GEWM 2.22	Actuator Assembly	PCM178
GCWM 1.21 GFWM 1.21	Piston Assembly	PCM270
GCWM 2.22 GFWM 2.22	Piston Assembly	PCM271
GCWM 3.23 GFWM 3.23	Piston Assembly	PCM272
GCWM 4.24 GFWM 4.24	Piston Assembly	PCM273
All single pole type switches	Snap Switch Kit	PC 339
All double pole type switches	Snap Switch Kit	PC 340
All types	Gasket Kit	PC 184
All types 1-6 and 21-26	Lamp unit - 24V 125V 250V (specify voltage)	PC 185
	NOTE - Replacement lamp unit only.	
Accessories		
All types 1-6 and 21-26	Pilot Light Kit - 24V	PC 276
	Pilot Light Kit - 125V	PC 278
	Pilot Light - 250V	PC 279
Modifications #		
GAWM GDWM GAW	Omit .060 pulsation plug	Form *P2
GAWM GDWM GBWM GEWM	Ethylene propylene diaphragm and seal. Type 316 stainless steel connector and pulsation plate.	Form *Q3
GAWM GDWM GBWM GEWM	VITON● diaphragm and seal. Type 316 stainless steel connector and pulsation plate (Minimum differential increases by 100%)	Form *Q4
GCWM GFWM	Ethylene propylene diaphragm and seal. Type 440 stainless steel piston in Type 303 or 431 stainless steel housing. Steel retainer - PTFE. Pulsation plug - brass.	Form *Q5
All Types	Range Scale Window	Form V1
All Types	S.P.D.T snap switch fitted, rated 1.1 amps at 125V DC. (Note:- stated differential figures are doubled.)	Form H3
<p># Add Form No. to Switch Type No. E.g. Class 9012 Type GCWM-6 Form H3</p> <p>● Registered trade mark of Du Pont</p> <p>* If one of these form designations appears on the pressure switch nameplate, the 9998 PC number for the replacement parts kit must be completed with that same FORM designation.</p> <p>Example: 9012 GAWM-2 takes diaphragm No. 9998 PC-266 9012 GAWM-2 Form Q3 takes diaphragm No. 9998 PC-266 Form Q3.</p>		<p>Ordering Instructions State... Class and Type Eg: Class 9998 Type PCM 270</p>

3b