

INCH-POUND
MIL-DTL-12285/1H
12 May 2004
SUPERSEDING
MIL-S-12285/1G(AT)
7 December 1992

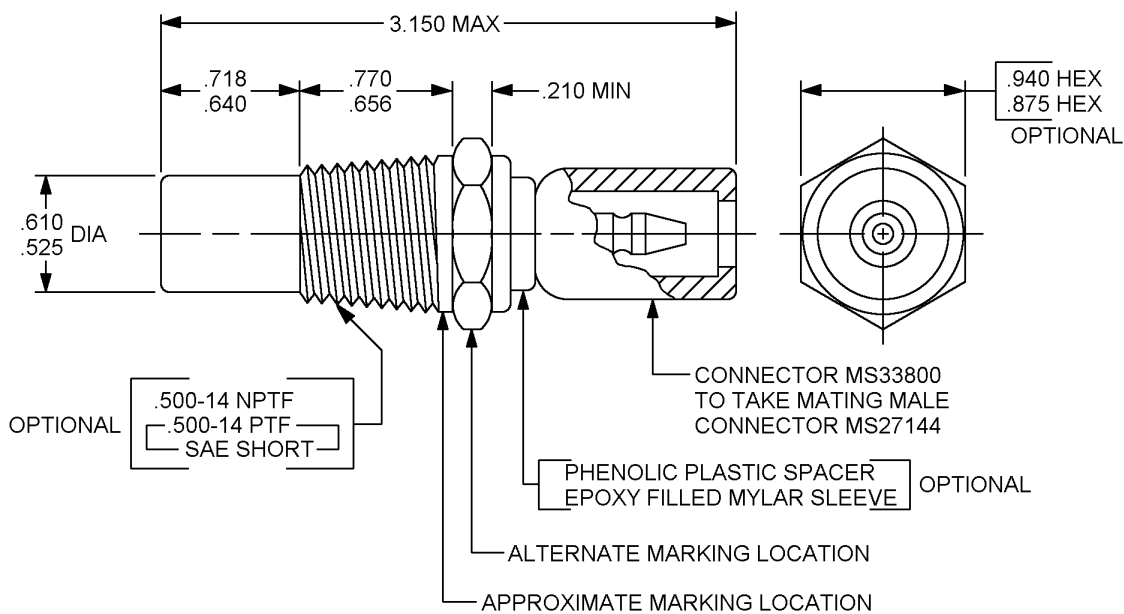
DETAIL SPECIFICATION SHEET

SWITCH, THERMOSTATIC
(LONG SENSOR)

Inactive for new design after 8 March 1999

This specification is approved for use by all Departments and Agencies of the Department of Defense.

The requirements for acquiring the product described herein shall consist of this specification sheet and MIL-DTL-12285.



NOTE: DIMENSIONS ARE IN INCHES. UNLESS OTHERWISE SPECIFIED, TOLERANCES ARE $\pm .010$.

FIGURE 1. Switch, thermostatic (long sensor).

MIL-DTL-12285/1H

TABLE I. Part number to switching temperature tolerance.

Part No.	Former part no.	Switching Temperature Tolerance $\pm 5^{\circ}\text{F}$
M12285/1-1	9093851	165°F
M12285/1-1	7771274-5	165°F
M12285/1-2	None	185°F
M12285/1-3	None	205°F
M12285/1-4	7771274-3	225°F
M12285/1-4	9099810	225°F
M12285/1-5	7771274-1	245°F
M12285/1-5	8376924	245°F
M12285/1-6	7771274-6	265°F
M12285/1-7	8376926	285°F
M12285/1-7	7771274-4	285°F
M12285/1-9	7771274-2	305°F
M12285/1-9	9098177	305°F
M12285/1-10	7771274-7	325°F

NOTE: When a shorter sensor is required see MIL-DTL-12285/2.

Referenced documents

MIL-DTL-12285/2
MIL-DTL-12285
MS33800
MS27144

Custodian:
Army - AT
DLA - CC

Preparing activity:
DLA - CC

(Project 5930-1815)

NOTE: The activities listed above were interested in this document as of the date of this document. Since organizations and responsibilities can change, you should verify the currency of the information above using the ASSIST Online database at www.dodssp.daps.mil.