



## Type-14 Flanged Diaphragm

### Standard Features (Sizes 1/2" - 2")

- Flanged (ANSI) face-to-face dimensions are equivalent to most commonly used metallic valves
- Rugged body and bonnet are of solid thermoplastic for maximum corrosion resistance
- Uniquely designed body and bonnet together with diaphragms of new sealing designs by computer dynamic analysis for superior sealing
- Weir design for excellent throttling
- Bubble-tight sealing, even in applications such as slurries or suspended particles
- Bonnet seals to protect internal from corrosive environments
- Built-in travel stop to prevent overtightening or compressive strain on diaphragm
- Integrally molded bottom stand for simple yet firm panel mounting
- Indicator at the top for indication of valve position and prevention of overtightening
- PVDF gas barrier, which protects EPDM backing from gas permeation, is standard for all valves with PTFE diaphragm
- Low profile
- Bayonet structure to connect compressor and diaphragm – Easy diaphragm replacement

### Options

- 2" square nut
- Stem extensions (single and two-piece design)
- Locking device for tamper proofing
- Chainwheel operator

### Specifications

**Sizes:** 1/2" - 4"  
**Body Materials:** PVC, CPVC, PP and PVDF  
**Bonnet Materials:** PVC, PP, PPG and PVDF  
**Diaphragms:** EPDM and 3-Layer EPDM/PVDF/PTFE  
 Also available in Nitrile and FKM

**End Connection:** Flanged  
**Operator:** Handwheel

### Parts Type-14 Flanged (Sizes 1/2" - 2")

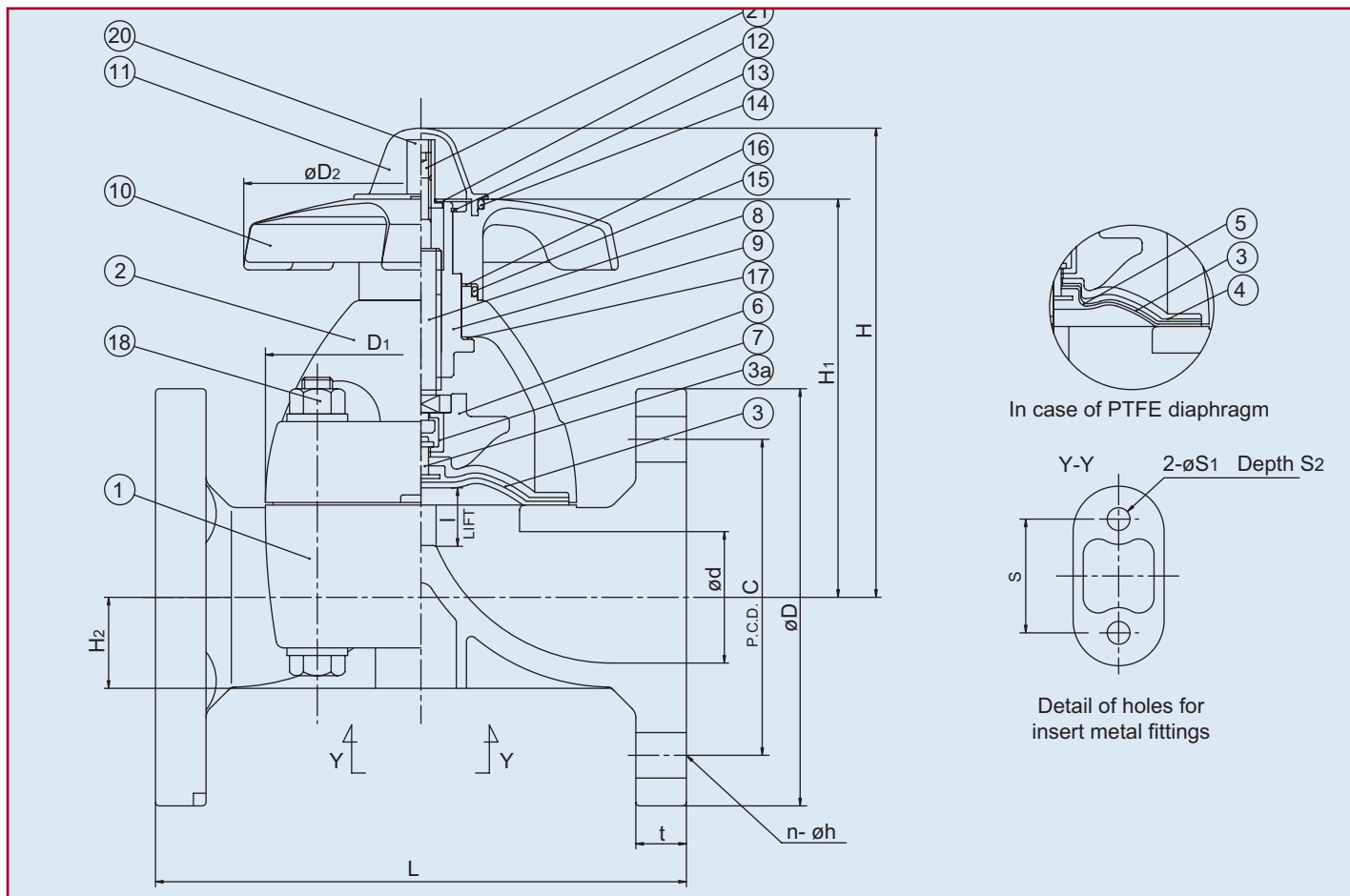
PARTS			
NO.	DESCRIPTION	PCS.	MATERIAL
1	Body	1	PVC, CPVC, PP, PVDF
2	Bonnet	1	PVC, PPG, PP, PVDF
3	Diaphragm	1	EPDM, PTFE, Others
3a	Diaphragm Metal Insert	1	Stainless Steel 304
4	Cushion*	1	EPDM
5	PVDF Gas Barrier*	1	PVDF
6	Compressor	1	PVDF
7	Joint	1	Stainless Steel 304
8	Stem	1	Copper Alloy
9	Sleeve	1	Copper Alloy
10	Hand Wheel	1	PP
11	Gauge Cover	1	PC
12	Name Plate	1	PVC
13	Retaining Ring C Type	1	Stainless Steel 304
14	O-Ring (A)	1	EPDM
15	O-Ring (B)	1	EPDM
16	Thrust Ring (A)	1	UHMWPE
17	Thrust Ring (B)	1	UHMWPE
18	Bolt, Nut, Washer	4 Sets	Stainless Steel 304
20	Stopper (A)	1	Copper Alloy
21	Screw	1	Stainless Steel 304

\* Used on PTFE diaphragm.



# Type-14 Flanged

# Diaphragm Valves



Dimensions Type-14 Flanged (Sizes 1/2" - 2") (in.)

NOMINAL SIZE		ANSI CLASS 150															
INCHES	mm	d	C	D	n	h	D1	D2	l	L	t	H	H1	H2	S	S1	S2
1/2	15	0.63	2.38	3.50	4	0.62	2.13 × 2.60	3.46	0.39	4.25	0.43	4.09	3.39	0.49	0.98	0.28	0.51
3/4	20	0.79	2.75	3.88	4	0.62	2.13 × 2.60	3.46	0.39	5.88	0.51	4.17	3.46	0.57	0.98	0.28	0.51
1	25	0.98	3.12	4.25	4	0.62	2.64 × 3.15	3.46	0.47	5.88	0.59	4.37	3.66	0.73	0.98	0.28	0.51
1-1/4	32	1.26	3.50	4.62	4	0.62	2.64 × 3.15	3.46	0.47	6.38	0.63	4.57	3.82	0.89	0.98	0.28	0.51
1-1/2	40	1.57	3.88	5.00	4	0.62	4.25 × 4.25	6.14	0.83	6.94	0.63	6.97	5.67	1.08	1.77	0.35	0.59
2	50	2.05	4.75	6.00	4	0.75	4.84 × 4.84	6.14	0.98	7.94	0.79	7.52	6.22	1.42	1.77	0.35	0.59

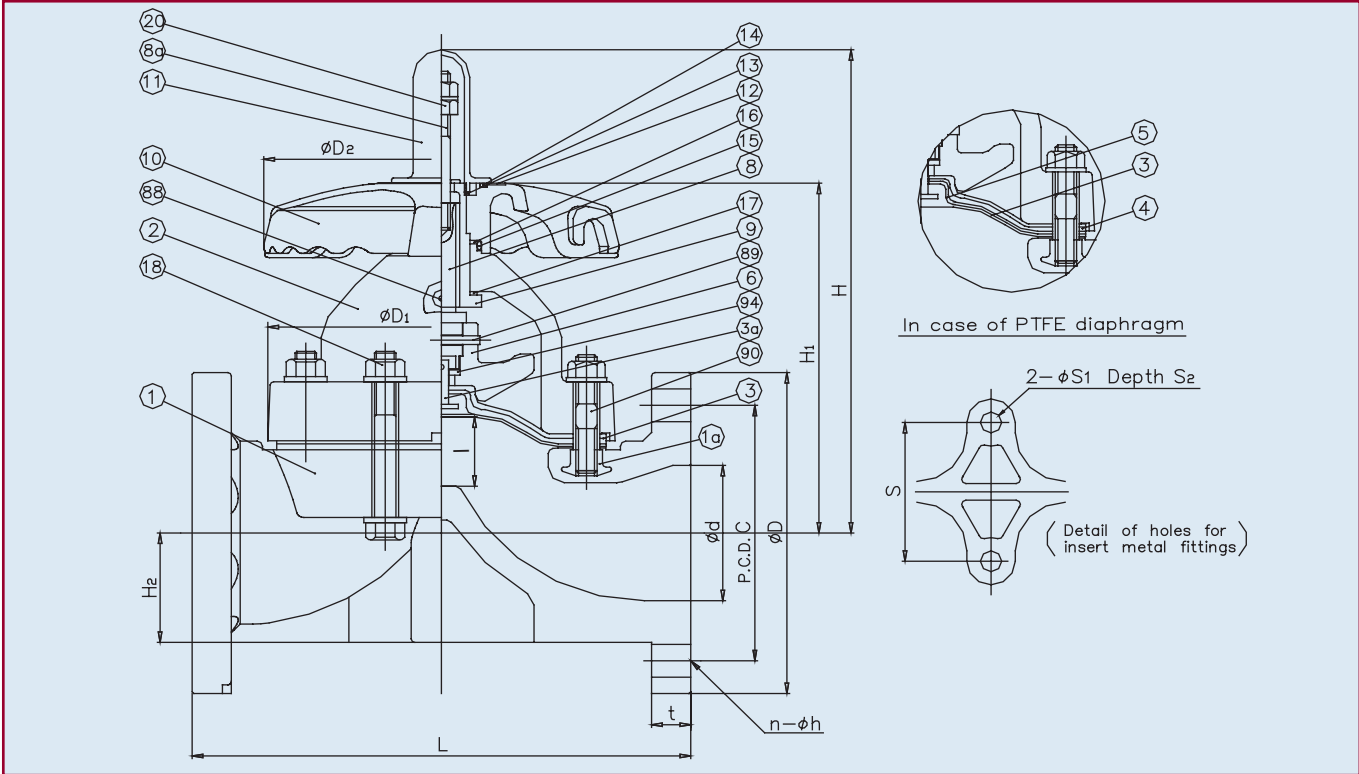
## Pressure vs. Temperature psi, water, non-shock

## Cv Values/Wt.

NOMINAL SIZE		PVC		CPVC				PP				PVDF				NOMINAL SIZE		Cv	WT. FLG. (lbs)
		ALL DIAPHRAGMS		ALL DIAPHRAGMS				ALL DIAPHRAGMS				PTFE DIAPHRAGM							
		30° F 105° F	106° F 140° F	30° F 105° F	106° F 140° F	141° F 175° F	176° F 195° F	- 5° F 105° F	106° F 140° F	141° F 175° F	176° F 195° F	- 40° F 140° F	141° F 175° F	176° F 210° F	211° F 250° F				
INCHES	mm	INCHES	mm	INCHES	mm	INCHES	mm	INCHES	mm	INCHES	mm	INCHES	mm	INCHES	mm	INCHES	mm		
1/2	15	150	100	150	115	85	40	150	115	85	70	150	120	95	70	1/2	15	4.8	1.50
3/4	20	150	100	150	115	85	40	150	115	85	70	150	120	95	70	3/4	20	5.3	1.80
1	25	150	100	150	115	85	40	150	115	85	70	150	120	95	70	1	25	8.5	2.40
1-1/4	32	150	100	150	115	85	40	150	115	85	70	150	120	95	70	1-1/4	32	11	3.10
1-1/2	40	150	100	150	115	85	40	150	115	85	70	150	120	95	70	1-1/2	40	26	6.20
2	50	150	100	150	115	85	40	150	115	85	70	150	120	95	70	2	50	43	8.00

# Type-14 Flanged

# Diaphragm Valves



**Dimensions Type-14 Flanged (Sizes 2-1/2" - 4") (in.)**

NOMINAL SIZE		ANSI CLASS 150							t									
INCHES	mm	d	C	D	n	h	D1	D2	l	L	PVC CPVC	PP PVDF	H	H1	H2	S	S1	S2
2-1/2	65	2.64	5.50	7.00	4	0.75	6.89	8.66	1.34	9.84	0.87	0.91	10.47	7.40	2.40	3.35	0.43	0.79
3	80	3.07	6.00	7.50	4	0.75	7.91	8.66	1.65	10.38	0.87	0.91	11.02	7.95	2.48	3.94	0.59	1.10
4	100	3.94	7.50	9.00	8	0.75	9.49	10.12	1.97	12.94	0.87	0.94	12.95	9.49	3.07	4.72	0.59	1.10

## Pressure vs. Temperature psi, water, non-shock

## Cv Values/Wt.

NOMINAL SIZE		PVC		CPVC				PP				PVDF				NOMINAL SIZE	Cv	WT. FLG. (lbs)	
		ALL DIAPHRAGMS		ALL DIAPHRAGMS				ALL DIAPHRAGMS				PTFE DIAPHRAGM							
INCHES	mm	30° F 105° F	106° F 140° F	30° F 105° F	106° F 140° F	141° F 175° F	176° F 195° F	- 5° F 105° F	106° F 140° F	141° F 175° F	176° F 195° F	- 40° F 140° F	141° F 175° F	176° F 210° F	211° F 250° F	INCHES	mm		
2-1/2	65	150	115	150	120	95	85	150	120	95	85	150	115	85	70	2-1/2	65	85	14.33
3	80	150	115	150	120	95	85	150	120	95	85	150	115	85	70	3	80	115	17.64
4	100	150	115	150	120	95	85	150	120	95	85	150	115	85	70	4	100	185	25.80

## Caution

- After replacing diaphragm, do not tighten bolts for bonnet and body with diaphragm in the closed position. Excessive force could damage bonnet or body.
- Full vacuum rated 1/2" through 2 - 1/2".
- Vacuum Rating
 

	(1) Rubber Diaphragms	(2) PTFE Diaphragm
3"	-25.59"	-9.84"
4"	-19.69"	-3.94"
- Never remove valve from pipeline under pressure.
- Always wear protective gloves and goggles.

# Type 14 Flanged

# Diaphragm Valves

## Parts Type 14 Flanged (2-1/2" – 4")

PARTS			
NO.	DESCRIPTION	PCS.	MATERIAL
1	Body	1	PVC, CPVC, PP, PVDF
2	Bonnet	1	PVC, PPG, PP, PVDF
3	Diaphragm	1	EPDM, PTFE, Others
3a	Diaphragm Metal Insert	1	Stainless Steel 304
4	Cushion*	1	EPDM
5	PVDF Gas Barrier*	1	PVDF
6	Compressor	1	PVDF
8	Stem	1	Copper Alloy
8a	Indicating Rod	1	Stainless Steel 304
9	Sleeve	1	Copper Alloy
10	Hand Wheel	1	PP
11	Gauge Cover	1	PC
12	Name Plate	1	PVC
13	Retaining Ring C Type	1	Stainless Steel 304
14	O-Ring (A)	1	EPDM
15	O-Ring (B)	1	EPDM
16	Thrust Ring (A)	1	UHMWPE
17	Thrust Ring (B)	1	UHMWPE
18	Bolt, Nut, Washer	4 Sets	Stainless Steel 304
20	Stopper (A)	1	Copper Alloy
88	Grease Nipple	1	Copper Alloy
89	Compressor Pin	1	Stainless Steel 304
90	Stud Bolt, Nut	4 Sets	Stainless Steel 304, Others
94	Metal of Compressor	1	Stainless Steel 304 <sup>1</sup>
1a	Inserted Nut	4	Copper Alloy <sup>2</sup>

\* Used on PTFE diaphragm

<sup>1</sup> Used for PVDF body

<sup>2</sup> Used for PVC, CPVC, PP bodies

## Troubleshooting

### What if fluid leaks when valve is fully closed?

1. Travel stop not set correctly. Adjust it per the Asahi Operation and Maintenance manual.
2. Solids built up inside valve. Clean inside, including weir and diaphragm.
3. Diaphragm and/or weir are worn or damaged. Change the part(s).

### What if valve cannot be fully opened?

1. Diaphragm is not properly engaged with compressor. Check engagement per Operation and Maintenance manual.

### What if fluid leaks to atmosphere?

1. Bonnet bolts not properly torqued. Re-torque according to Operation and Maintenance manual.
2. Line pressure exceeds maximum recommended line pressure. Check or reduce system line pressure.
3. Diaphragm has ruptured or has been chemically attacked. Replace diaphragm.

## Sample Specification

All Type-14 flanged diaphragm valves shall be of solid thermoplastic construction for body and bonnet with molded flanged ends. The valves shall come standard with a position indicator, travel stop (to prevent overtightening) and bonnet O-ring sealing arrangement. The valve shall be weir type with a square bonnet body sealing design and bayonet connection diaphragm (1/2"- 2") or round bonnet body sealing design (2-1/2"- 4"). All PTFE diaphragms shall be supplied with a PVDF gas barrier between the layers of EPDM and PTFE for aggressive chemical service. The face-to-face dimensions shall conform to Type G. PVC conforming to ASTM D1784 Cell Classification 12454-A, CPVC conforming to ASTM D1784 Cell Classification 23567A, PP conforming to ASTM D4101 Cell Classification PPO210B67272, PPG (bonnet only) conforming to ASTM D4101 Cell Classification PPO110M20A21130, and PVDF conforming to ASTM D3222 Cell Classification Type II. PVC, CPVC, PP and PVDF shall be rated to 150psi for elastomeric and PTFE diaphragms at 70° F., as manufactured by Asahi/America, Inc.