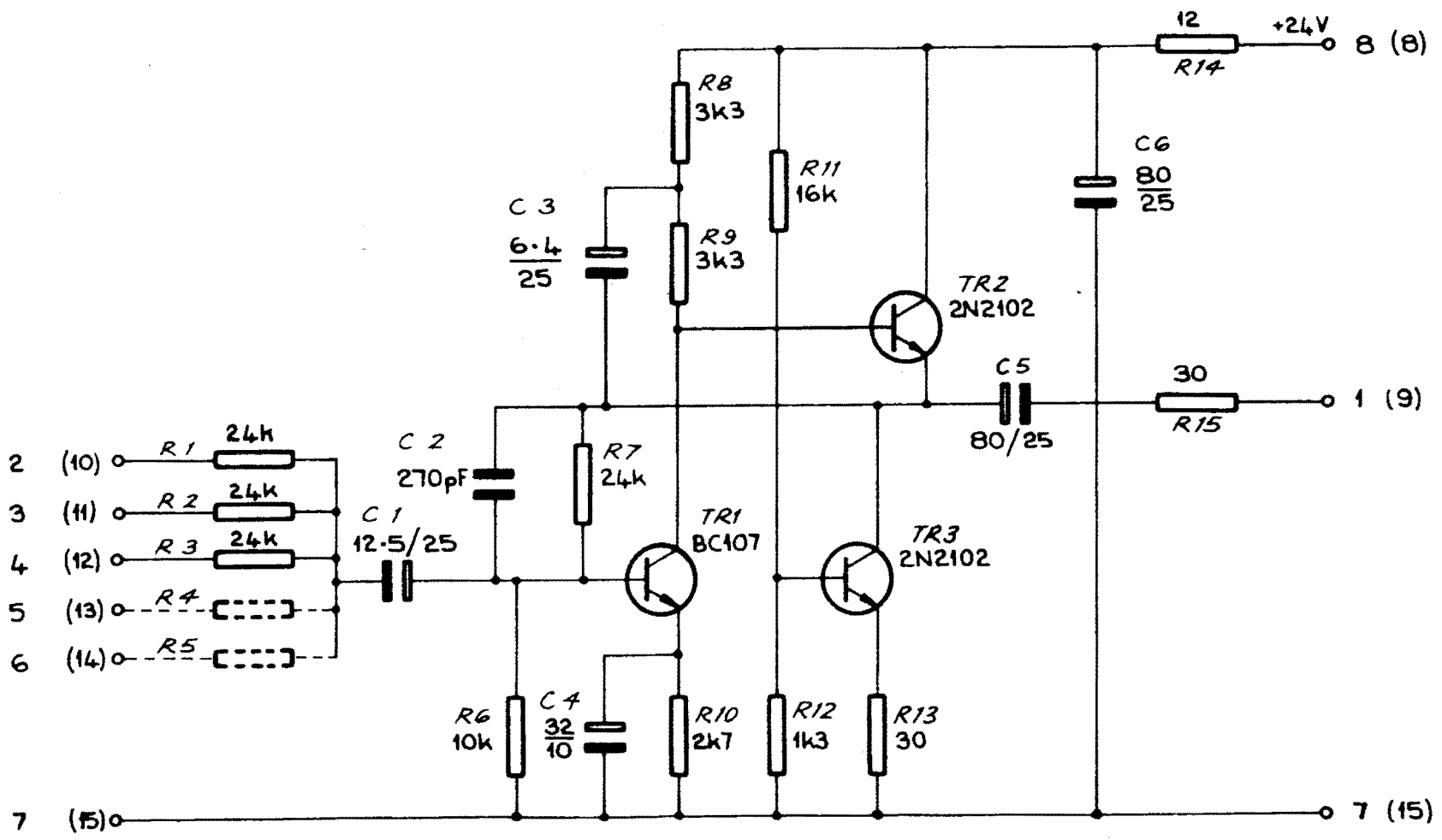




Handed
drawing
17 Dec 73
M.B. 10/12/73

SUB TITLE		TITLE	
Circuit Diagram		MIXING AMPLIFIER	
ORIGIN	W.R. HAMER	DATE	16-10-73
DRAWN	A. WELLS	DATE	23-10-73
CHKD	M.S. 2007H	DATE	23.10.73
APPRD	M.S. 1	HEAD OFFICE NO	12300/1
STATION NO			
A 4			



NOTES: THERE ARE 2 IDENTICAL AMPS ON EACH PCB. N° IN BRACKETS INDICATE PIN CONNECTIONS TO 2ND AMP.
 2) UP TO 5 INPUTS MAY BE MIXED ON EACH AMP.
 3) ALL RESISTORS $\frac{1}{4}$ W.
 4) ALL RESISTORS IN OHMS & ALL CAPACITORS IN MICROFARADS UNLESS OTHERWISE SHOWN.

PROVISIONAL