



# Parts Manual Dishwasher

**Model:**  
DW60CRW2 EL NZ

**Product Code:**  
89159-A



care

89159-A



## PRODUCT

**Brand** Elba by Fisher & Paykel  
**Voltage** 220-240V, 50Hz  
**Model** DW60CRW2 EL NZ  
**Product Code** 89159-A

**Fisher & Paykel Appliances Ltd**

78 Springs Road, Manukau 2163

PO Box 58-732, Botany

Auckland, New Zealand

Telephone: 09 273 0600

Facsimile: 09 273 0656



## CONTENTS

CHASSIS & TUB ASSEMBLY .....	6
BASKETS .....	8
SPRAY ARM ASSEMBLY .....	10
DOOR .....	14

### GUIDE TO USING THIS MANUAL

The model covered by this manual is listed on the front cover.

The information detailed in this manual is subject to change without notice. The latest version is indicated by the reprint date and replaces any earlier editions.

The front cover picture shows the type of product and may not necessarily be an exact image of the model covered by the manual.

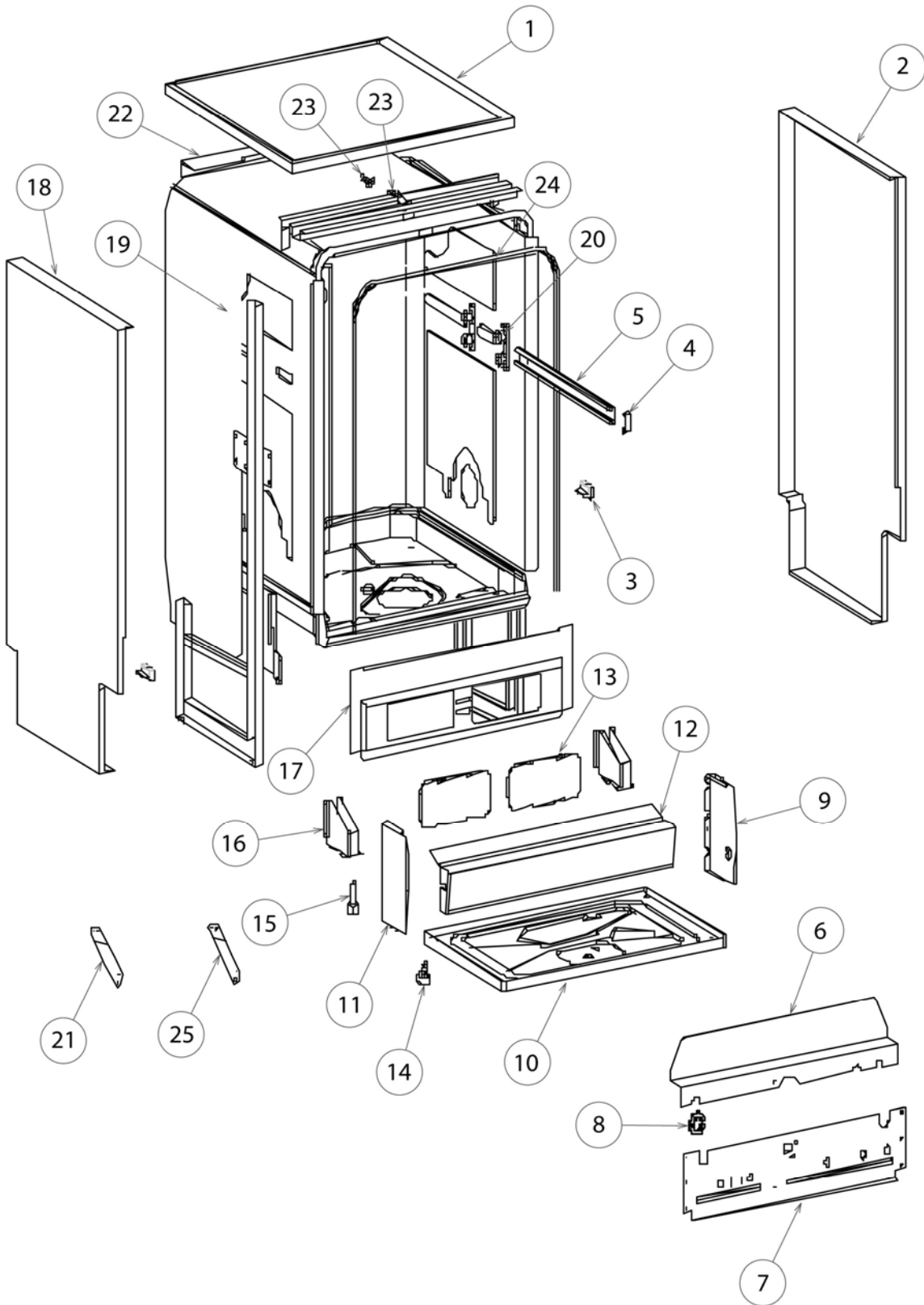
### Kit Parts

Kit components are shown in *italics*. Where a part number is shown against the descriptions for these kit components, they are also available as separate items. In addition, some parts may be supplied with these kits that are not available as separate items, and are therefore either not listed, or a part number is not shown against the part description in this manual.

### Parts List Key

<i>italics</i>	Kit components or parts included are shown in <i>italics</i> . Refer to above notes: Kit Parts.
NI	As a part reference, indicates the part is not illustrated on the diagram.
NOT USED	As a part number, indicates the diagram part reference is not used in this manual.
NS	As a part number, indicates the part cannot be serviced or replaced and is not available as a spare part.

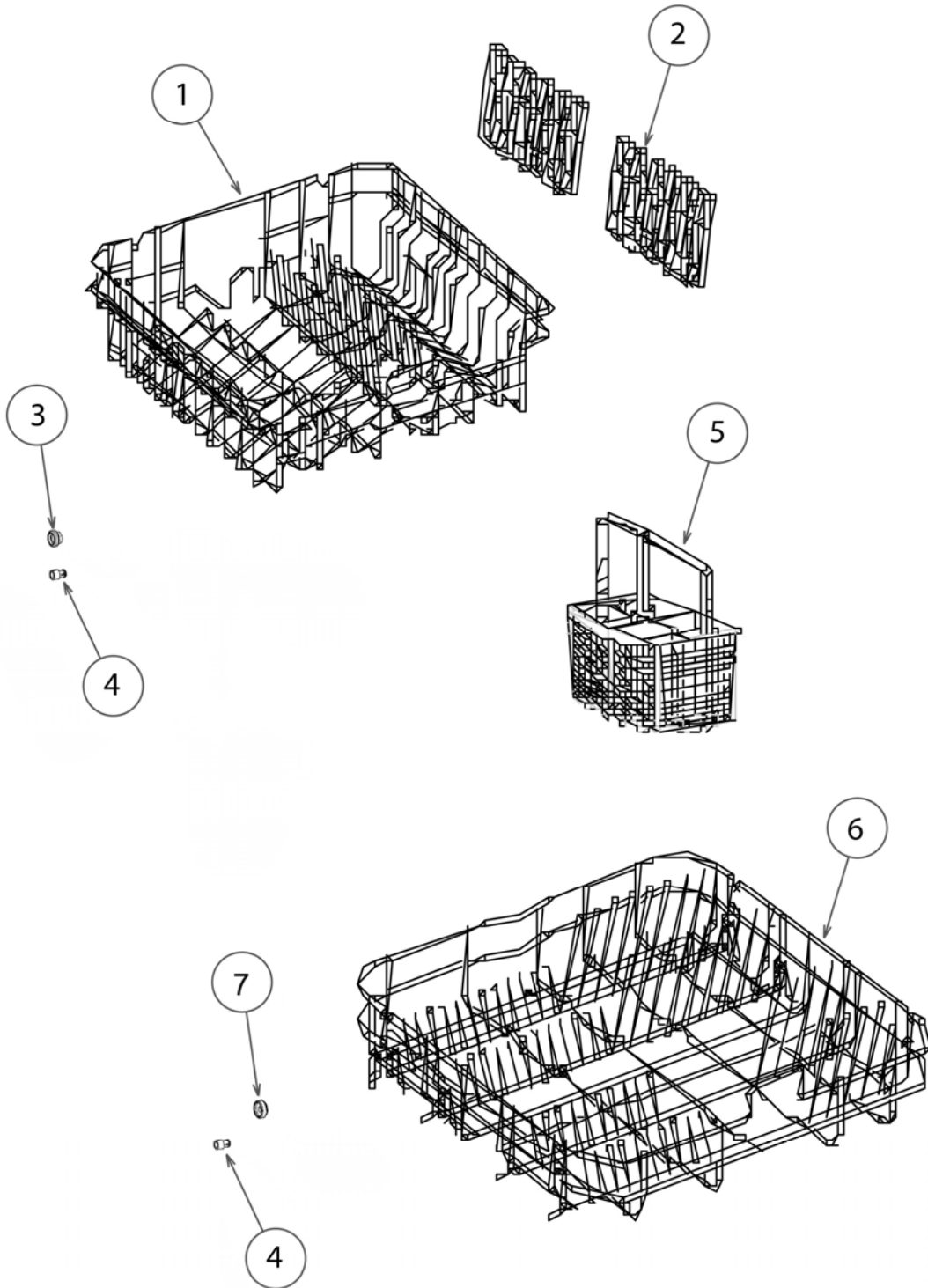
# CHASSIS & TUB ASSEMBLY



## CHASSIS & TUB ASSEMBLY

REF	PART	DESCRIPTION
1	791155	TOP PANEL WH
2	791157	DECORATIVE SIDE PANEL RH WH
3	791017	TUB SUPPORT BLOCK
4	791013	RAIL END CAP GREY
5	791014	RAIL
6	791028	BRACKET MIDDLE REAR
7	791693	BRACKET LOWER REAR
8	791029	DRAIN HOSE GROMMET
9	791167	END CAP RIGHT BASE WH
10	791031	BASE PANEL
11	791172	END CAP LEFT BASE WH
12	791169	FRONT BASE PANEL WH
13	791024	SERVICE PANEL COVER
14	791032	ADJUSTABLE FOOT REAR
15	791027	ADJUSTABLE FOOT FRONT
16	791026	FRONT FOOT LEVELING BRACKET
17	791025	SERVICE PANEL
18	791174	DECORATIVE SIDE PANEL LH WH
19	NS	TUB ASSEMBLY
20	791016	TUB ROLLERS GREY
21	791047	REAR GUSSET LH
22	791177	UPPER REAR PANEL
23	791721	KIT LATCH TONGUE
	<i>Includes 791719</i>	<i>LATCH ADJUSTMENT BLOCK</i>
	<i>Includes 791720</i>	<i>LATCH TONGUE RETAINER</i>
	<i>Includes 791179</i>	<i>LATCH TONGUE</i>
24	791011	TUB GASKET
25	791048	REAR GUSSET RH

# BASKETS

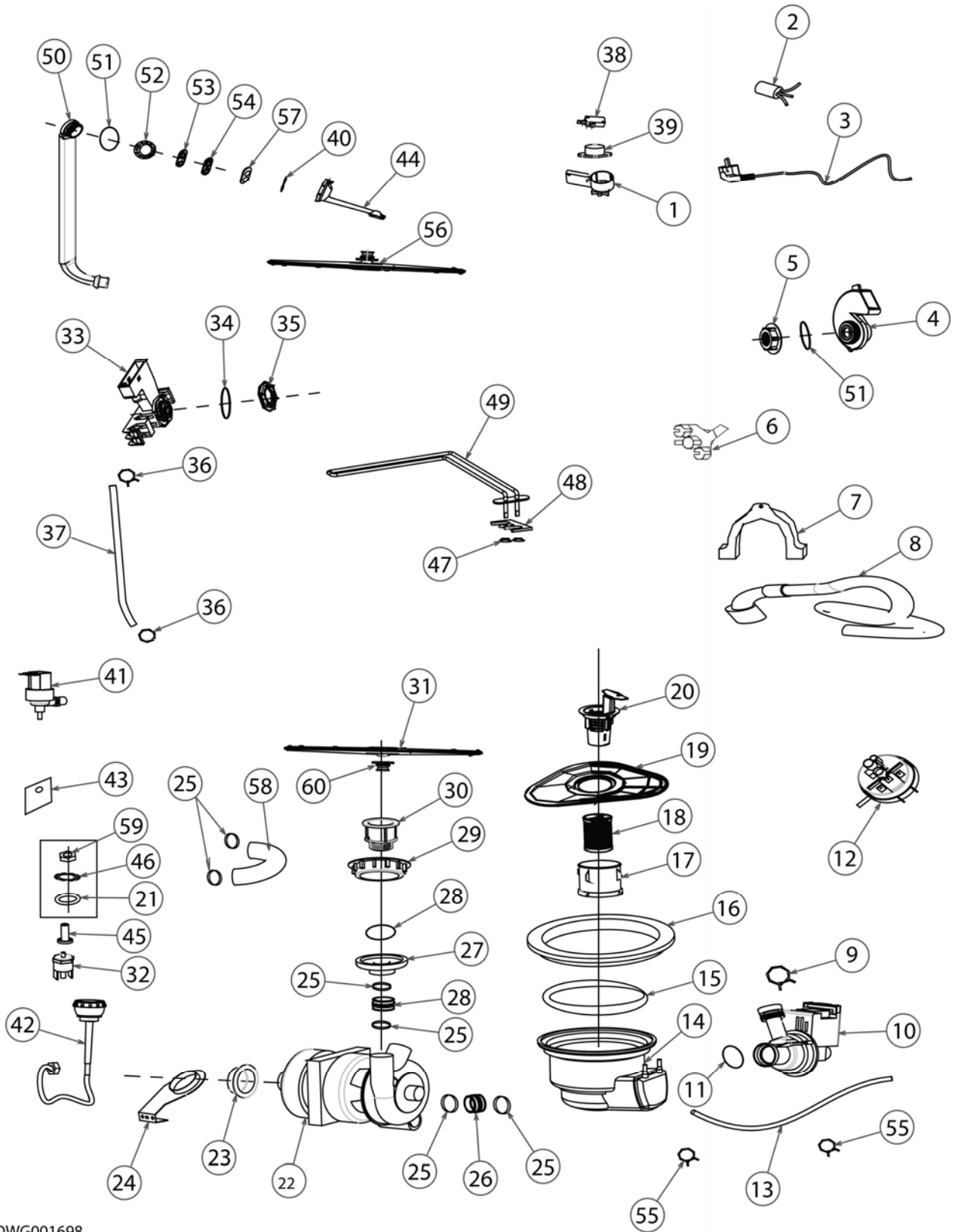




**BASKETS**

<b>REF</b>	<b>PART</b>	<b>DESCRIPTION</b>
1	791159	UPPER BASKET
2	791160	FOLD DOWN
3	791161	ROLLER SMALL BASKET
4	791162	AXLE STUB
5	791319	CUTLERY BASKET GREY
6	791044	BASKET LOWER
7	H0120200964	ROLLER LOWER BASKET

# SPRAY ARM ASSEMBLY



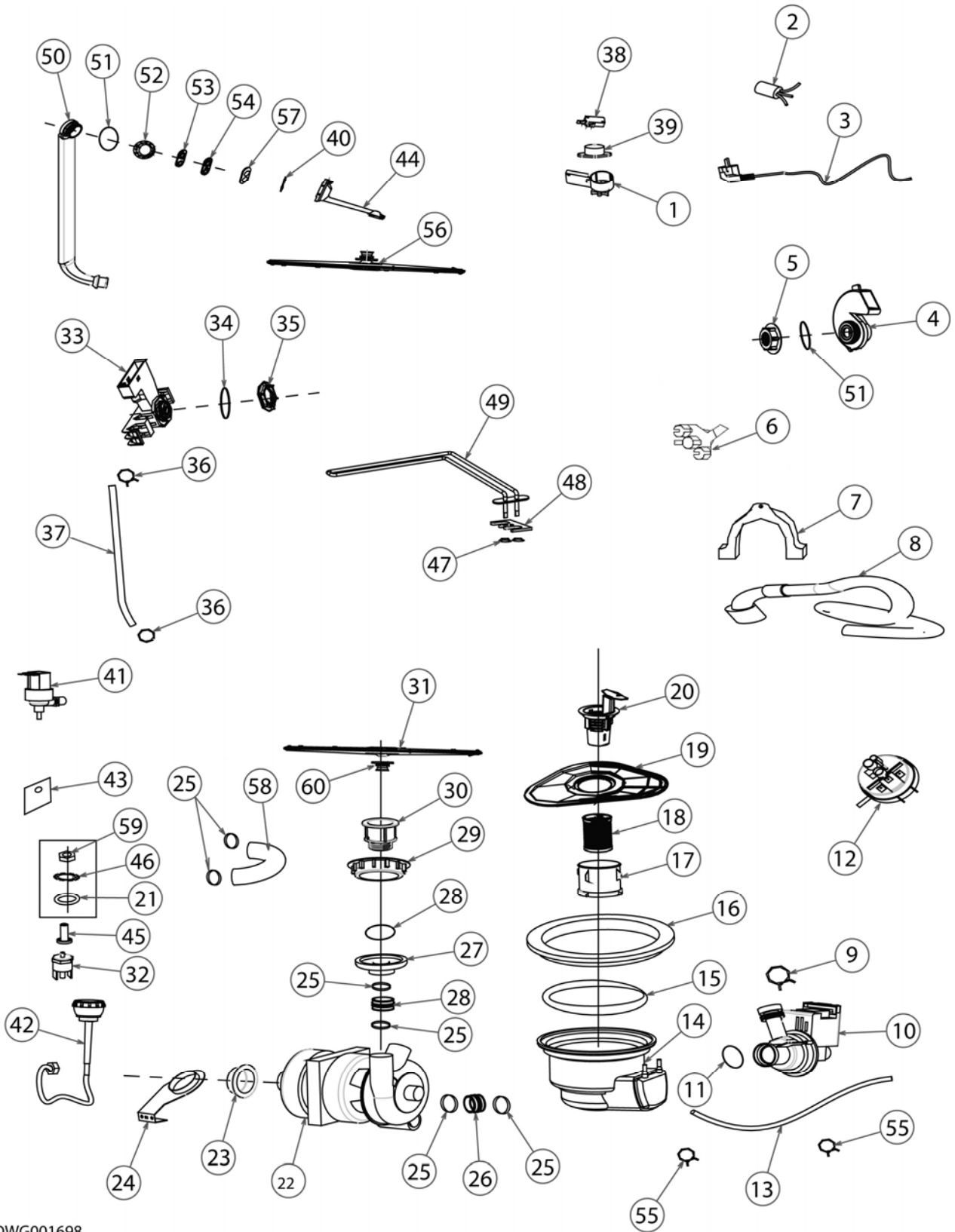
DWG001698

## SPRAY ARM ASSEMBLY

REF	PART	DESCRIPTION
1	791059	FLOAT SWITCH BRACKET
2	791120	RFI CAPACITOR ASSY
3	791181	FLEX ASSEMBLY MAINS
4	791065	AIR VENT
5	791067	AIR VENT CAP GREY
6	791221	THERMO LIMITER ASSY
7	420667P	GUIDE DRAIN HOSE
8	791239	DRAIN HOSE 2150MM
9	791073	HOSE CLAMP
10	791071	DRAIN PUMP
	<i>Includes</i>	<i>FLAP VALVE</i>
11	791072	O-RING DRAIN PUMP
12	791696	PRESSURE SWITCH
13	791077	PRESSURE SWITCH TUBE
14	791185	SUMP MOULDING
15	791186	SUMP GASKET
16	791088	RING NUT SUMP GREY
17	791089	MICROFILTER
18	791090	INNER FILTER SCREEN
19	791241	FILTER PLATE
20	791093	STRAINER GREY
21	791083	O-RING THERMO LIMITER
22	791697	WASH PUMP ASSY
	<i>Includes 791318</i>	<i>MOTOR CAPACITOR</i>
23	791115	WASH PUMP VIBRATION RING
24	791116	WASH PUMP BRACKET
25	791097	HOSE CLAMP (20-32)
26	791096	WASH PUMP HOSE
27	791098	LOWER SPRAY ARM BASE FIXING
28	791099	O-RING
29	791101	LOWER SPRAY RING NUT GREY
30	791103	BEARING LOWER SPRAY ARM GREY
31	H012G1020070	LOWER SPRAY ARM
32	791068	THERMAL LIMITER
33	791189	FILL VENT WH
34	791110	O-RING FILL VENT
35	791190	AIR VENT CAP
36	791081	HOSE CLAMP FILL VENT
37	791114	FILL VENT PIPE
38	791061	MICROSWITCH
39	791238	FLOAT FLOOD SWITCH
40	791118	FLAP VALVE UPPER SPRAY ARM
41	791062	SOLENOID VALVE
42	791063	HOSE INLET (1.55MM)

Continued next page...

# SPRAY ARM ASSEMBLY



DWG001698

**SPRAY ARM ASSEMBLY**

<b>REF</b>	<b>PART</b>	<b>DESCRIPTION</b>
43	791117	VELUM SOLENOID VALVE
44	791095	TRANSITION TOP GREY
45	791069	THERMAL LIMITER BUSH
46	791084	STAR WASHER
47	791107	ELEMENT RUBBER SKIRT
48	791698	GASKET ELEMENT
49	791109	ELEMENT
50	791049	TOP SPRAY ARM TUBE
51	791050	O-RING
52	791052	NUT UPPER SPRAYER GREY
53	791054	COVER TOP TRANSITION GREY
54	791055	SEAL TUBE PLUMBING TOP SPRAY ARM
55	791078	HOSE CLAMP TUBE PRESSURE SWITCH
56	791058	SPRAY ARM UPPER GREY
57	791056	FLAT VALVE HOUSING
58	791119	TOP SPRAY ARM HOSE
59	791070	THERMAL LIMITER NUT
60	H0120201005	LOWER SPRAYER COLUMN



**DOOR**

<b>REF</b>	<b>PART</b>	<b>DESCRIPTION</b>
1	791699	WIRING HARNESS PCB TO DISPLAY
2	791700	PROGRAMME SWITCH
3	791718	LATCH ASSEMBLY
4	791702	DOOR INNER ASSEMBLY
5	791703	KNOB WHITE
6	791704	CONTROL PANEL MOUNTING WH
7	791211	PANEL OUTER DOOR WHITE
8	791705	COVER PCB BOARD
9	791706	PCB BOARD
10	791707	WIRING LOOM
11	791708	WIRING HARNESS PCB ROTARY SW
12	791709	PCB DISPLAY
13	791218	COVER DOOR SPRING
14	791710	DOOR SPRING
15	791145	O-RING HINGE
16	791141	HINGE RH
17	791140	HINGE CROSS BRACE ASSEMBLY
18	791146	HINGE PIN
19	791142	HINGE LH
20	791152	DETERGENT DISPENSER GREY
21	791711	FUNCTION INDICATOR LIGHT
22	791712	BUTTON ON/OFF WH
23	791713	HOUSING PROGRAMME SWITCH WH
NI	599612	BOOK USR/INSTALL DW60 ELBA NZ