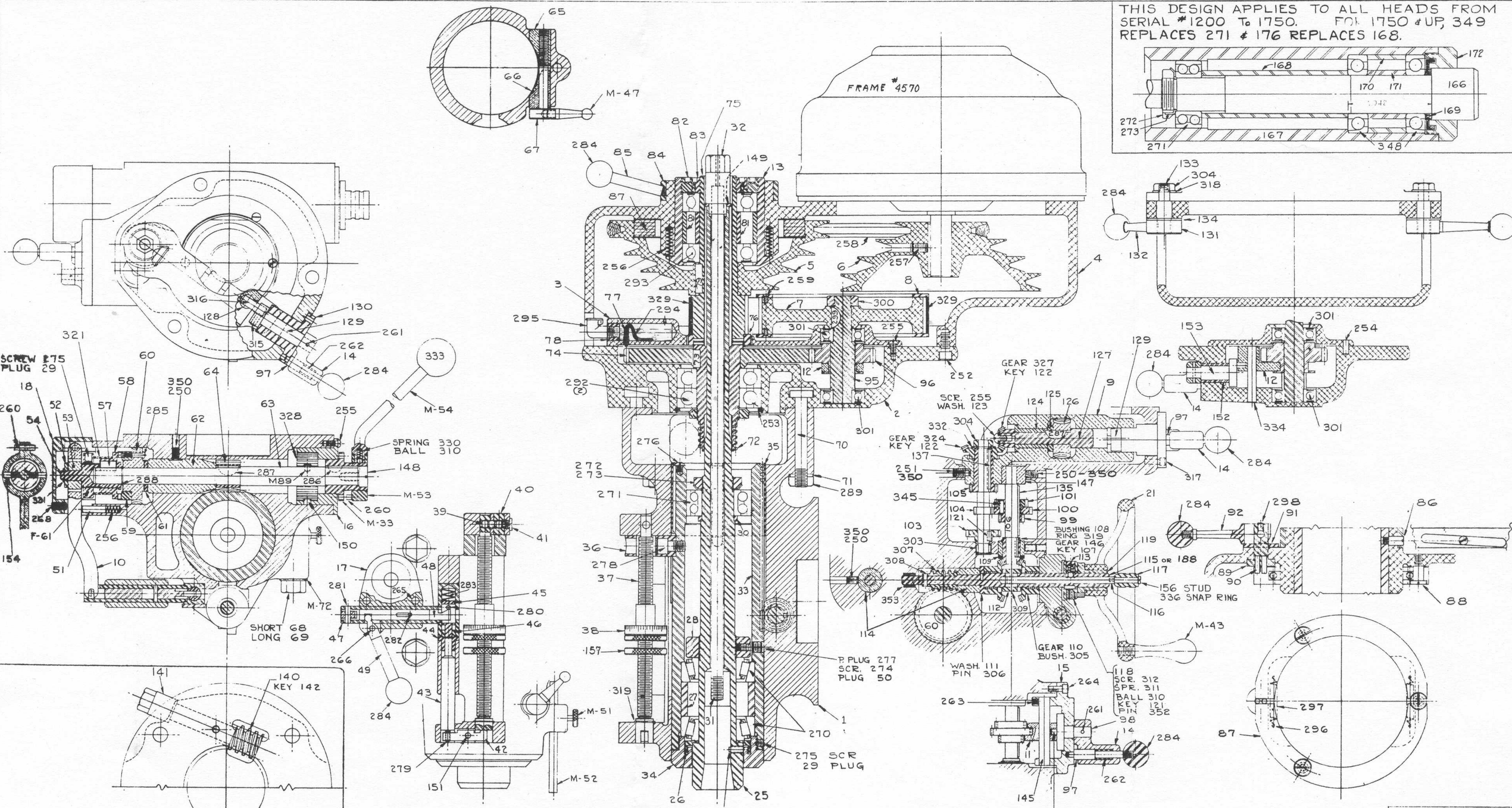


THIS DESIGN APPLIES TO ALL HEADS FROM SERIAL #1200 TO 1750. FOR 1750 #UP, 349 REPLACES 271 # 176 REPLACES 168.



OPTIONAL EQUIPMENT

TIMKEN BRG'S. USED ON ALL HEADS UP TO SERIAL #1200. SEE UPPER R.H. CORNER.

BRIDGEPORT MACHINES INC.  
 BRIDGEPORT CONN.  
 IHP MILLING ATTACHMENT  
 J-25-48  
 HALF SIZE J-200 M.W.