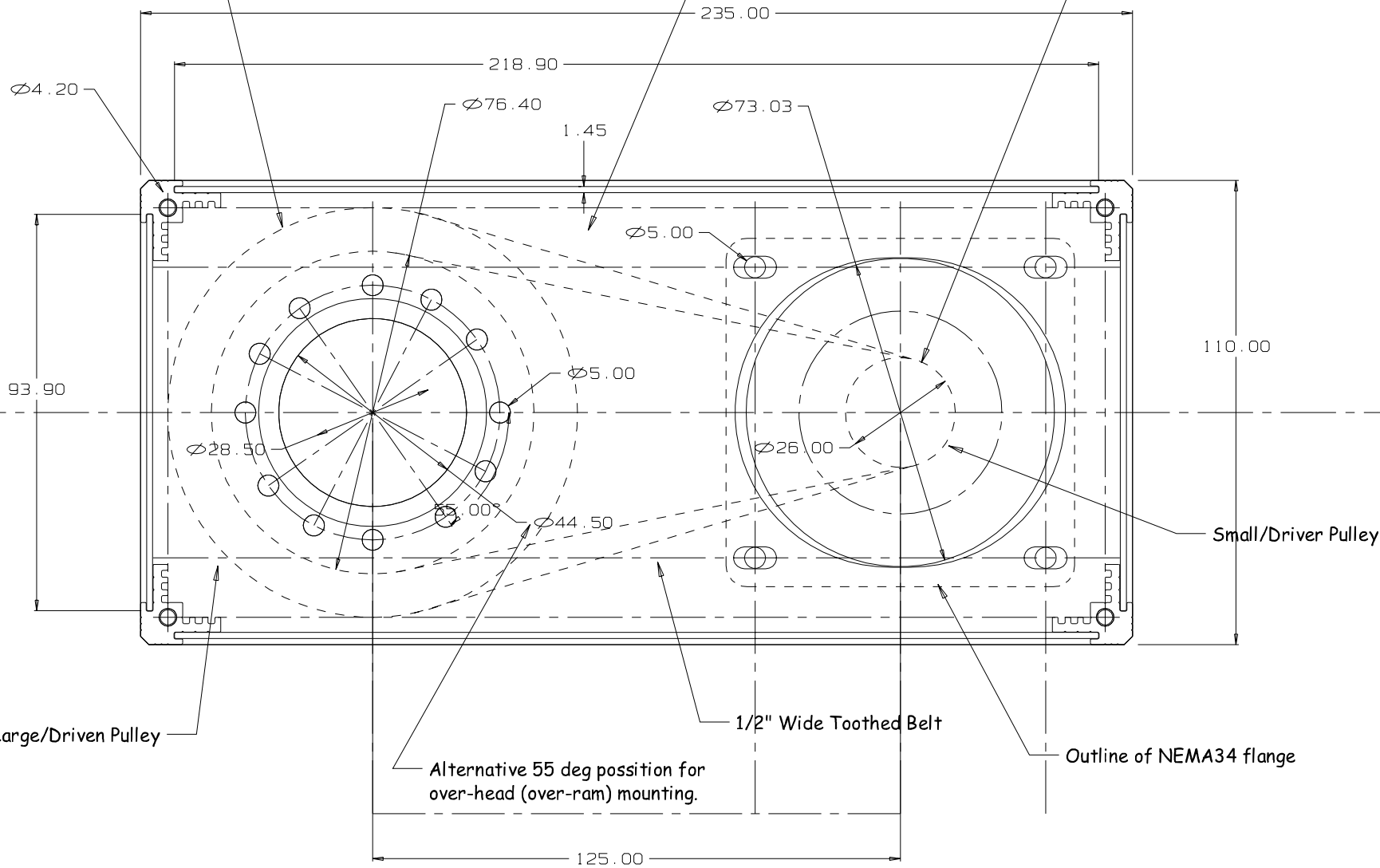


Pulley - 1/2" Wide
60XL037 or similar

Toothed-Belt 3/8~1/2" Wide
180XL037 or similar

Pulley - 1/2" Wide
15XL037 or similar



Small/Driver Pulley

Large/Driven Pulley

Alternative 55 deg position for
over-head (over-ram) mounting.

1/2" Wide Toothed Belt

Outline of NEMA34 flange

MATERIAL	Steel
ALLOY	Various
EST. AREA	xx mm
EST. WEIGHT	xxx kg/m
EST. PERIPHERY	EXT: xxx mm
	TOT: xxx mm
TOLERANCE	0.00mm ±0.1mm 00.0mm ±0.25mm 0000mm ±0.5mm 0-500mm ±0.1mm > 500mm ±0.5mm
	BS1474:1987 APPLIES UNLESS OTHERWISE SPECIFIED
JOB No.	0000

Modular Systems P.O. BOX 38-828, WELLINGTON, NEW ZEALAND TELEPHONE : (64-4) 5687 277 FACSIMILE : (64-4) 5685 161	CUSTOMER :	CASA Modular Systems		SIZE	DRAWING Reference No.	ISSUE
	DESCRIPTION :	"Z" Axis Quill NEMA34 Motor Fixing Plate		A3	2JB-ZPit235	A
	DRAWN :	DATE :	APPROVED :	DWG. SCALE :	COPYRIGHT : CASA Modular Systems ALL RIGHTS RESERVED	
	AWD	31/10/07	?	1:1		