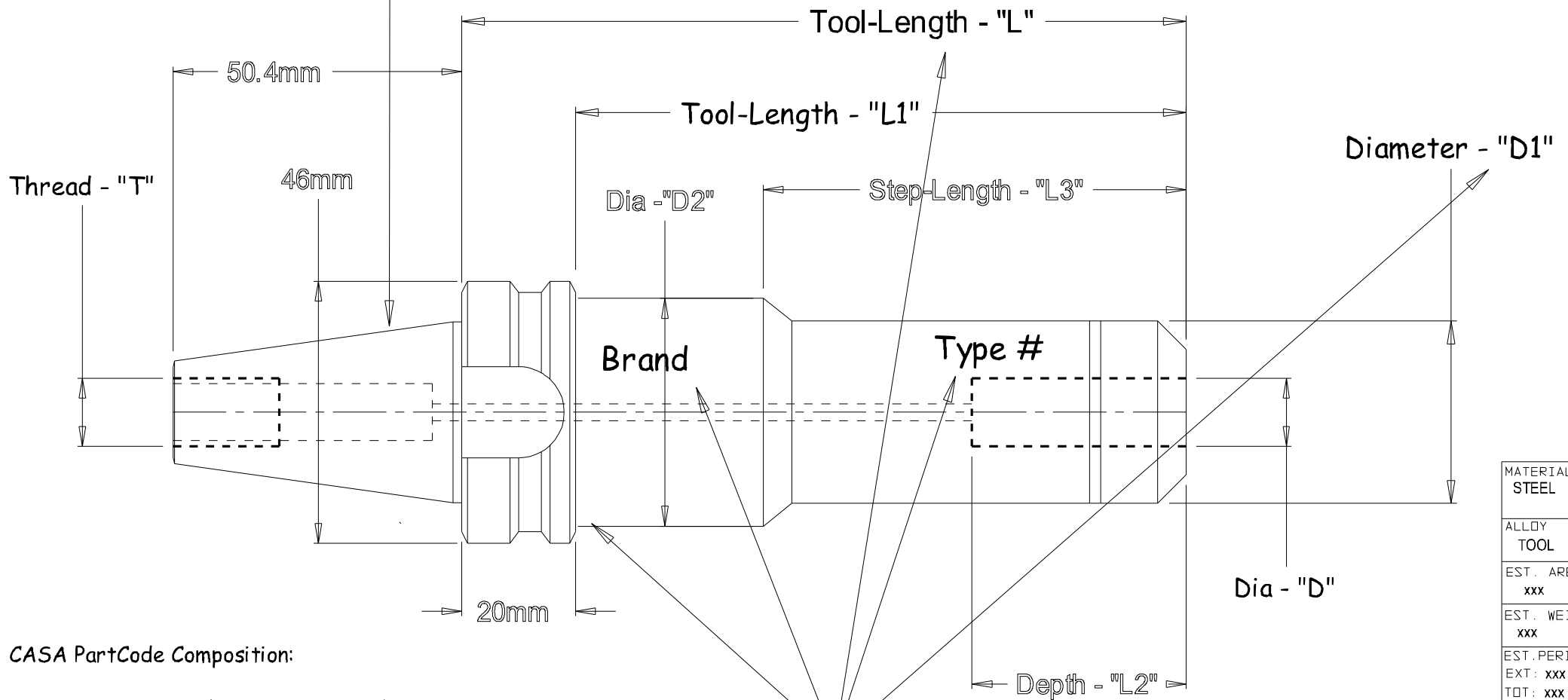


BT30 Mounting Stub



CASA PartCode Composition:

- "BT30" = Mounting / Form Standard / Taper
- "D" = Bore Dia in mm for tool or collet-size (if fitted) and mount style (may be):
 "HY"=Hydraulic, "CC"= collet-clamp, "PS"=plain-shank, "SS"=screw-shank etc.
- "L" x "D" = Tool Length "L" x end-diameter "D"
 (Size or Diameter/Function References)
- "Type #" = OEM part number/reference
- "Brand" = Brand-name/Brand-initials
- "T" = Draw-bolt thread-size or "PS" if Pull-Stud is fitted

BT30-20PS-130x32-AHDT91103-NT...

MATERIAL	STEEL
ALLOY	TOOL
EST. AREA	xxx mm
EST. WEIGHT	xxx kg/m
EST. PERIPHERY	EXT: xxx mm
	TOT: xxx mm
TOLERANCE	0.00mm ±0.1mm 00.0mm ±0.25mm 0000mm ±0.5mm 0-600mm ±0.1mm > 600mm ±0.5mm
	BS1474:1987 APPLIES UNLESS OTHERWISE SPECIFIED
JOB No.	XXXX

Example:

BT30-20PS-130x32-AHDT91103-NT-M12

	CUSTOMER :	CASA Modular Systems			SIZE	DRAWING Reference No.	ISSUE
	DESCRIPTION :	BT30-CNC Tooling Definitions			A4	BT30-Outline	A
Petone 5012, WELLINGTON, NEW ZEALAND TELEPHONE : (64-4) 9393 777 WWW Address: www.casa.co.nz	DRAWN :	DATE :	APPROVED :	DWG. SCALE :	© COPYRIGHT : CASA Modular Systems ALL RIGHTS RESERVED		
	A.W.D	05/08/18	?	1:1			