

1. Use according to instructions

The paper shredder is intended only for shredding normal paperwork (e.g. archive files, EDP lists, contents of waste paper bins) and a small quantity of credit cards, CDs, floppy disks.

The sturdy cutting mechanism is unaffected by staples and paper clips.



credit cards



CDs



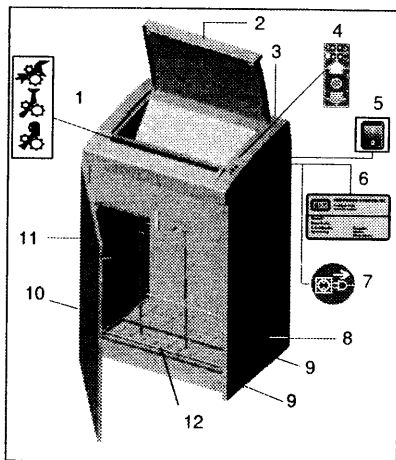
floppy disks

Cutting style: 3.9/5.8/3.9x50 mm 3.9/5.8/3.9x50 mm

5.8 mm

We provide a warranty for the device in accordance with our general sales and delivery terms. This warranty excludes wear, damage due to improper handling, natural depreciation, and actions taken by third parties.

2. Machine components



- 1 Caution label
- 2 Inspection door
- 3 Cover
- 4 Membrane keyboard
- 5 Mains switch
- 6 Name plate
- 7 Caution label
- 8 Bottom frame
- 9 Guide roller
- 10 Roller
- 11 Door
- 12 Foot pedal for compaction device on machines with cross cutting

3. Scope of delivery

- Paper shredder, ready for connection, in carton packing, carton on pallet, tied with strapping tape
- 5 bags for shredded material
- Special cutting block oil (250 ml)
- Operating instructions, information sheet on unpacking and installation

Accessories

- Bag for shredded material, order No.: 1.442.995.000
- Special cutting block oil 250 ml, order No.: 1.235.997.401

4. Safety instructions

- Read all instructions before start-up of the paper shredder. Save these instructions for later use.
- Follow all warnings and instructions marked on the product!
- Make sure no liquid is spilled on or in the paper shredder.
- Do not attempt to repair this paper shredder yourself.
- If the shredder is damaged or does not function properly, switch the device off, pull out the mains plug and inform our service engineers.
- Keep paper shredder out of the reach of children.
- This shredder should be operated only with an operator in attendance.



Risk of injury!

Do not reach into the paper feed slot.

Risk of injury from slivers!

Wear protective goggles when destroying diskettes, CDs and hard credit cards.

Risk of injury by pulling in!

Keep long hair, loose articles of clothing, ties, scarves, jewellery etc. away from feed opening. Material with the tendency to form loops, e.g. tapes, strapping material, etc. must not be shredded.



Before taking off the cover, changing the location, cleaning or anything else other than normal operation
turn off and unplug the paper shredder!

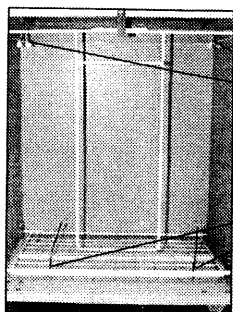


Maintenance and service work may be performed only by:

- HSM customer service
- specially trained staff (e.g. qualified electricians)
- service technicians from our contracting partners

5. Installation

- This paper shredder should never be placed near or over a radiator or heat source.
- The ventilation slots must not be blocked or covered and they must be at a distance of at least 10 cm away from walls or furniture.
- Make sure the mains plug is easily accessible.
- Before plugging in the mains plug, check that the voltage and frequency of your local mains supply correspond to those stated on the type plate.



Undo the wing screws securing the unit during transportation

On machines with cross cutting the two red ties of the transport retainer for the compacting unit must be removed.

Inserting the bag for shredded material



- Open front door and pull out frame with bag for shredded material.
- Fold new bag around frame and allow to overlap by approx. 20 cm.
- Push frame with guide and bag into bottom frame.
- Close front door.

6. Start-up

Switching the paper shredder on



Set mains switch at rear of paper shredder to "I"



Paper shredder is ready for operation when green LED on control panel lights



Notice

*Safety switches are installed at the door and inspection door.
Paper shredder can only be switched on if the door and the inspection door are both closed.*

Shredding paper:

Feed paper into the paper infeed opening (see "Technical data" for sheet capacity)

- The shredding process is started by a photo-cell in the paper feeding opening
- Approx. 3 sec. after the last sheet of paper is pulled in the cutting system automatically switches off and returns to standby.



The document shredder can also be started by pressing the green arrow button:

- **Press briefly:** cutting device starts

Automatic stop approx. 3 seconds after the last piece of paper was drawn in, or manual stop when the stop button is pressed

- **Hold down for longer than 2 seconds:** constant operation without light barrier function

The cutting device runs until it is switched off with the stop button.

Switching the paper shredder off



Set mains switch at rear of paper shredder to "0"

7. Troubleshooting

If the paper shredder does not work properly, please check the following points before contacting our customer service:

- Is mains plug inserted? ⇨ Insert mains plug
- Is paper shredder switched on? ⇨ Switch shredder on
- Are the paper shredder door and inspection door closed? ⇨ Close door and inspection door
- Is shredded material bag full? ⇨ Empty bag
- Is there a paper jam in the paper shredder? ⇨ Clear paper jam
- Is the motor overloaded? ⇨ Allow motor to cool down for approx. 15–20 min.

Paper jam

You have fed in too much paper.

Paper shredder jammed

- Red LED in the key pad flashes
- Paper shredder reverses automatically



Pull paper out of the paper feeding opening

If material is not completely pushed out, then

Press dashed arrow button

- Paper is pushed out



Pull paper out

The cutting device is easily accessible once the inspection door on the top of the machine is opened.



CAUTION!

Injuries by cutting rollers are possible even when the paper shredder is idle. Keep hands away from the cutting system when running!

Separate paper stack and feed paper again

- The shredding process is started again with the green arrow button or by the light barrier (paper feed).



CAUTION !

Do **not** press dashed arrow button and green arrow button alternately forwards and backwards Cutting system can be damaged.

Electric motor overheated

Red LED on membrane keyboard lights

- Paper shredder switches off automatically



Allow paper shredder to cool down for approx. 15 to 20 min.

Open the front door or the inspection door on the top of the machine



- Red LED on membrane keyboard lights
- Paper shredder stops automatically

Close front door and inspection door

If the door is opened when the cutting device is running, the document shredder must be started again using the green button after the door of the document shredder has been closed.

Bag for shredded material full



- Red LED on membrane keyboard lights
- Paper shredder stops automatically
- Reversing the cutting device ("Reverse" button) is also possible even when the shredded material container is full.

Insert new bag

Particle cutting devices are equipped with a compacting mechanism. Press the foot pedal in the lower part of the cabinet to shake up the collector sack and reduce the volume of the particles. Paper can be fed again.



CAUTION!

Empty the shredded material container after the paper shredder has been switched off, because otherwise malfunctions of the cutting system could occur when the rocker switch is pressed several times in succession.

8. Maintenance and care

Cleaning:

- Switch off the shredder, pull out the mains plug.
- When cleaning only use a soft cloth and a mild soap-water solution. Never use scouring agents, cleaning fluid, petroleum or thinners.



When the cutting capacity drops or the noise increases:



Lift the inspection door on the top of the device and spray special cutting block oil on the blade rollers of the cutting device

- Run cutting system forwards and backwards several times without feeding paper
- Paper dust and particles are shaken off

9. Technical Data

	 Strip cut		 Cross cut			
	Cutting type					
Shred size	5.8 mm	3.9 mm	3.9x50 mm	1.9x15 mm	0.78x11 mm	1x5 mm
Safety rating DIN 32757 – 1	2	2	3	4	5	*)
Cutting capacity (sheets) DIN A4, 70 g/m ² Paper DIN 19307 SM 4a – 70	65 - 67	48 - 50	38 - 40	26 - 28	17 - 19	9 - 10
Weight	70 kg		80 kg			
Noise level (Idle running/ load)	60 dB(A)/68 dB(A)		60 dB(A) / 75 dB(A)			
Cutting speed	120 mm/s					
Loading width	400 mm					
Power for the maximum number of sheets	2100 W					
Voltage	230 V, 50 Hz 100 V, 50/60 Hz – 115 V, 60 Hz					
Dimensions W x D x H (mm)	595 x 470 x 960					
Volume of shredded material bag	146 l					

*) NSA-specification
Technical and optical modifications reserved

EG-Konformitätserklärung

Maschinenrichtlinie 98 / 37 / EG
EMV-Richtlinie 89 / 336 / EWG
Niederspannungsrichtlinie 73 / 23 / EWG

Der Hersteller **HSM Pressen GmbH + Co. KG**, Bahnhofstraße 115, D-88682 Salem erklärt hiermit, dass der Aktenvernichter **HSM 411.2** mit den oben genannten EG-Richtlinien einschließlich aller zutreffenden Änderungen übereinstimmt.

Angewendete Normen und technische Spezifikationen:

- EN 55014-1:2000 + A1:2001
- EN 55014-2:1997 + A1:2001
- EN 61000-3-2:2000
- EN 61000-3-3:1995 + A1:2001
- EN 61000-4-2:1995 + A1:1998 + A2:2001
- EN 61000-4-4:1995 + A1:2001
- EN 61000-4-5:1995 + A1:2001
- EN 61000-4-6:1996 + A1:2001
- EN 61000-4-11:1994 + A1:2001

Salem, 01.10.2000



Rolf Gasteier
Technischer Leiter

Eine Prüfung des Maschinentyps auf Übereinstimmung mit den Anforderungen der EG-Richtlinie für Maschinen erfolgte durch den Fachausschuss Verwaltung, Prüf- und Zertifizierungsstelle, c/o Verwaltungs-Berufsgenossenschaft, Deelbögenkamp 4, D-22297 Hamburg. Diese Prüfstelle ist zuständige Stelle im Sinne von Anhang V der EG-Maschinenrichtlinie.