

- NOTES:
1. VALUES ARE IN OHMS OR MICROMICROFARADS UNLESS OTHERWISE NOTED.
  2. DC RESISTANCE OF COILS AND TRANSFORMERS OF LESS THAN ONE OHM HAVE BEEN OMITTED.
  3. WAFFER SWITCHES VIEWED FROM FRONT OR DRIVE END.
  4. IF NECESSARY, JUMPER WIRE ACROSS R705/R720 MAY BE REMOVED TO REDUCE RF OUTPUT.
  5. R720 FITTED TO ALL MODELS. STI. NR 152 REFERS

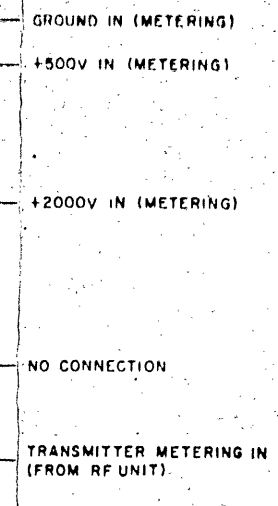
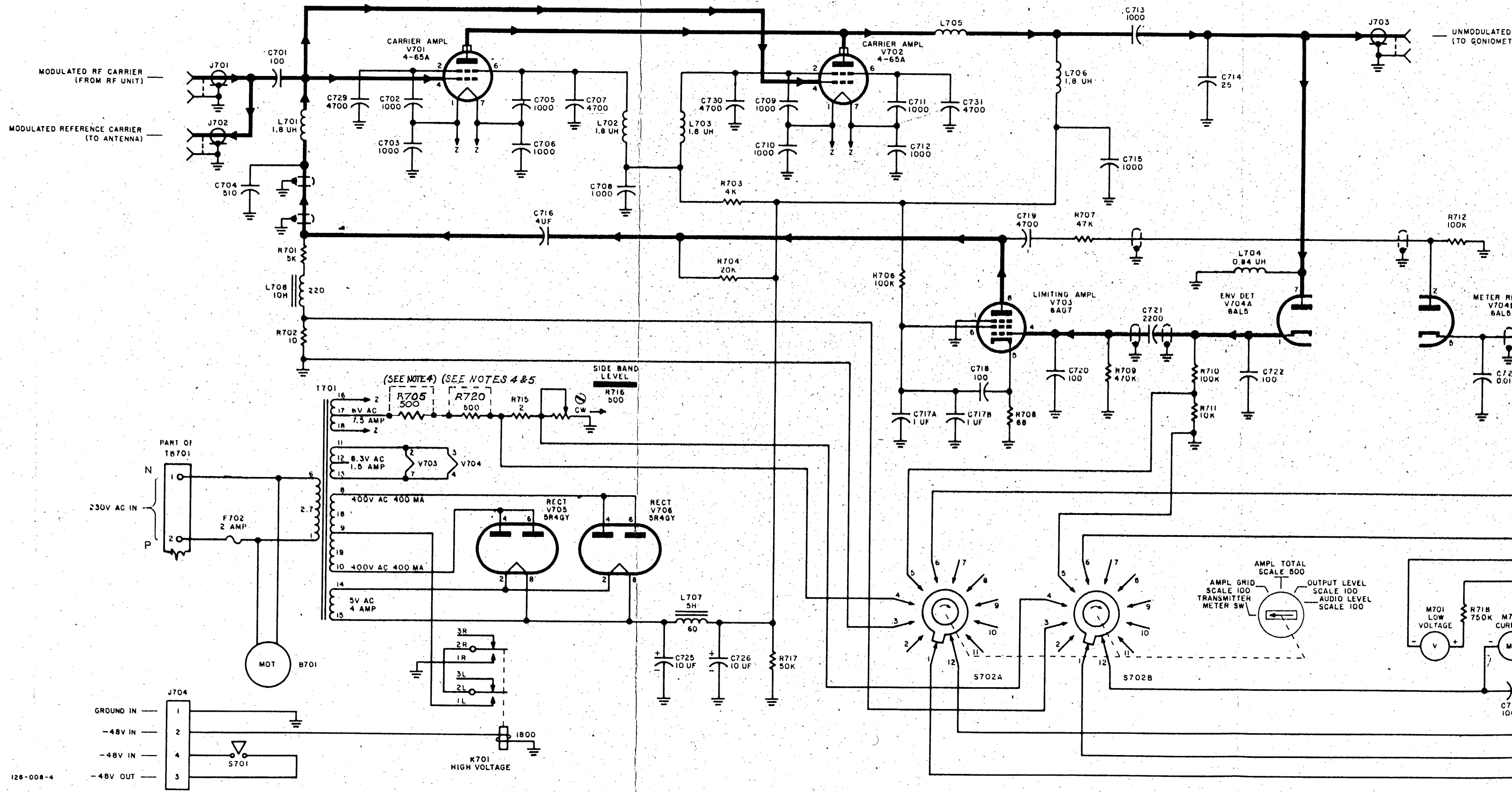


Figure 7-10. Modulation Eliminator, Schematic Diagram

Aug. 15, 1968

7-31/7-32

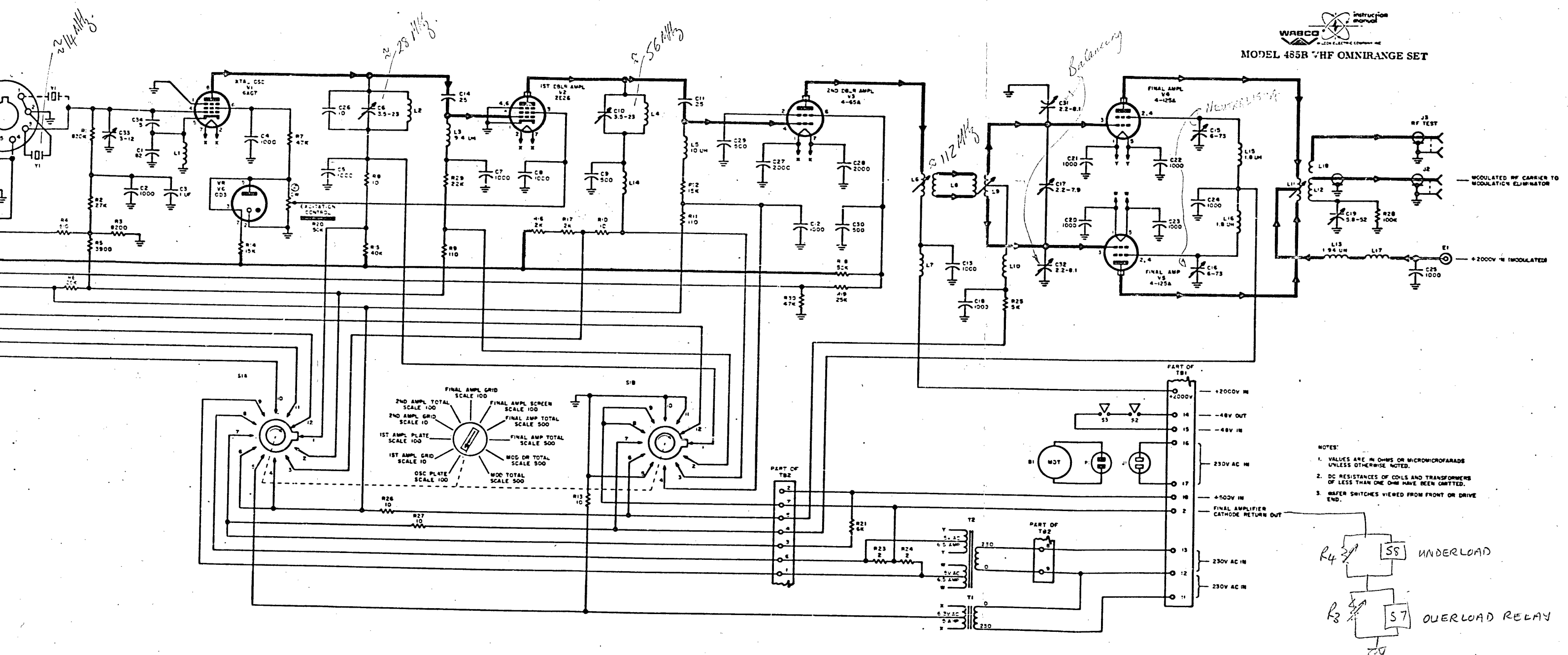
CA MOD MAY 1973



126-008-4



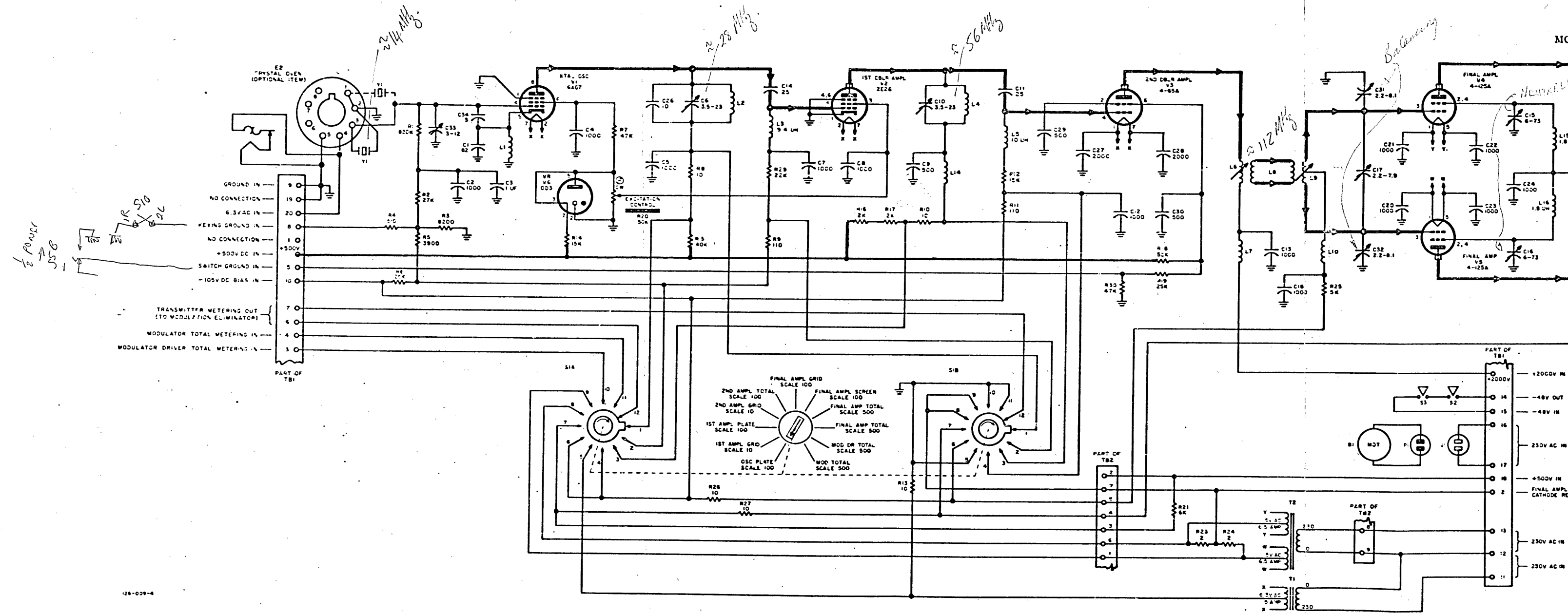
MODEL 485B VHF OMNIRANGE SET



- NOTES:
1. VALUES ARE IN OHMS OR MICROMICROFARADS UNLESS OTHERWISE NOTED.
  2. DC RESISTANCES OF COILS AND TRANSFORMERS OF LESS THAN ONE OHM HAVE BEEN OMITTED.
  3. WAFFER SWITCHES VIEWED FROM FRONT OR DRIVE END.

Figure 7-11. VHF RF Unit, Schematic Diagram

Aug. 15, 1968



126-009-4

Figure 1

Aug. 15, 1968