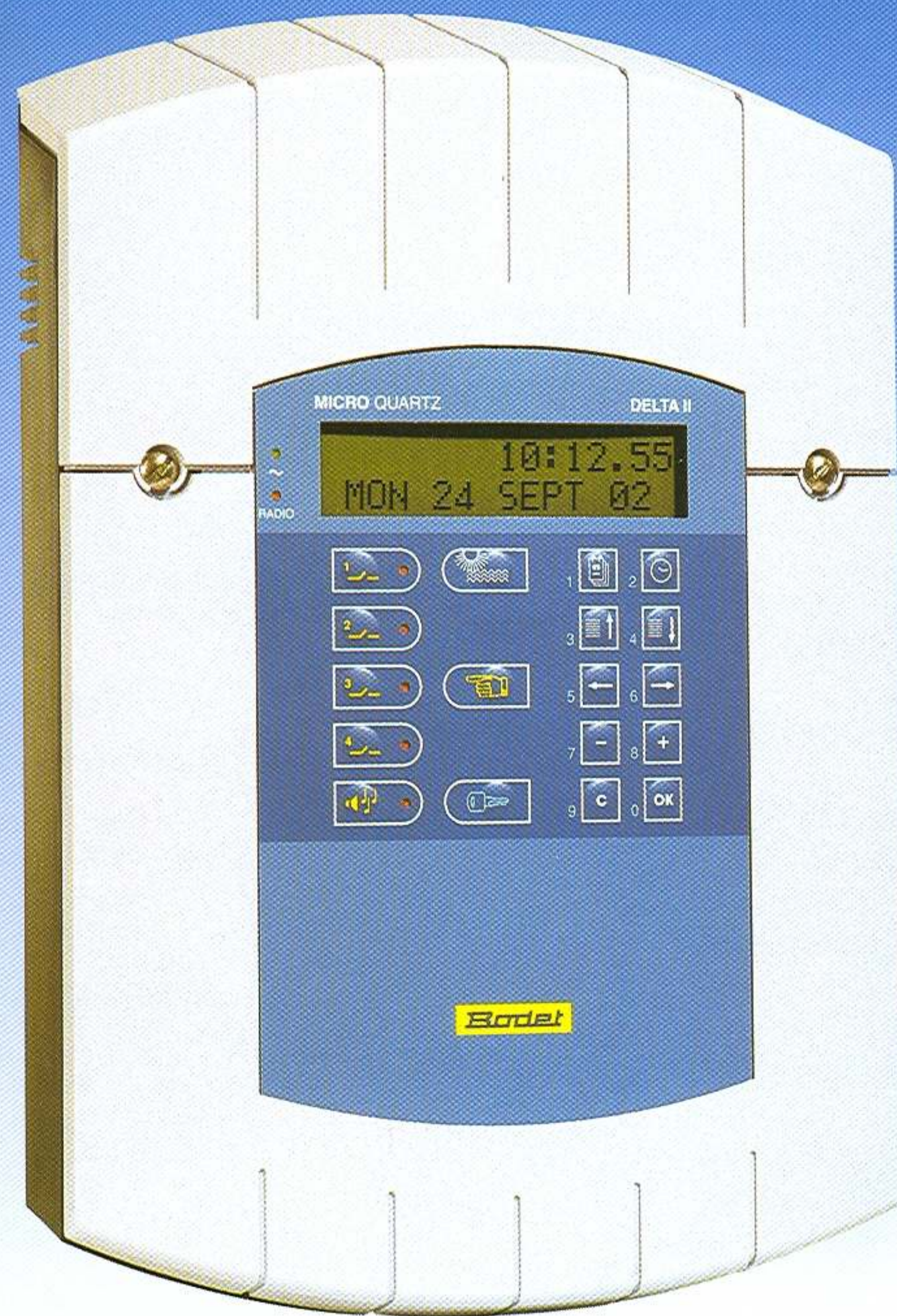


Microquartz DELTA



Master clock and programme unit

Bodel

Microquartz DELTA

Microquartz DELTA is an advanced radio-synchronizable master clock, including an annual programme unit. The programme unit is easy to program and is perfectly suitable to start/stop electrical equipment such as bell ringing, heating or lighting.

Characteristics :

- Wall mounted ABS casing or 19" rack (1/2 width - 3U high),
- Permanent LCD display of date, hour, minute and second,
- Power on and radio synchronization pilot lights,
- Access to keyboard protected with a code.
- Power supply : 230 V \pm 10% 50/60 Hz,
- Operating temperature from 0 to 50°C.

Master clock :

- Accuracy : 0,1 sec/day between 20 and 25°C,
- Permanent internal time basis protected by lithium battery : the setting on time is automatic,
- Automatic re-synchronization after power failure,
- Perpetual calendar.
- Programmable winter/summer time changeovers,
- Radio synchronization through external radio receiver, (MSF, DCF, FI and GPS) providing absolute accuracy,
- Real time display of the radio signal received.

Output lines :

- One 24 V - 1 A reverse polarity minute or 1/2 minute impulse,
- One 230 V impulse line for tower clock movement synchronization using 2 programming circuits.
- One IRIG B/AFNOR coded time 0 db/600 Ω (Model AFNOR 5)
- One 24 V second impulse (Model Second 3).

Programme unit :

- 4 programming circuits (4 A / 240 V relay),
- Annual and weekly programming cycles,
- Step of programming : 1 second.
- Programming mode : start / stop / duration (1 to 59 s),
- Permanent programming data back-up in case of power failure,
- Circuit manual test.

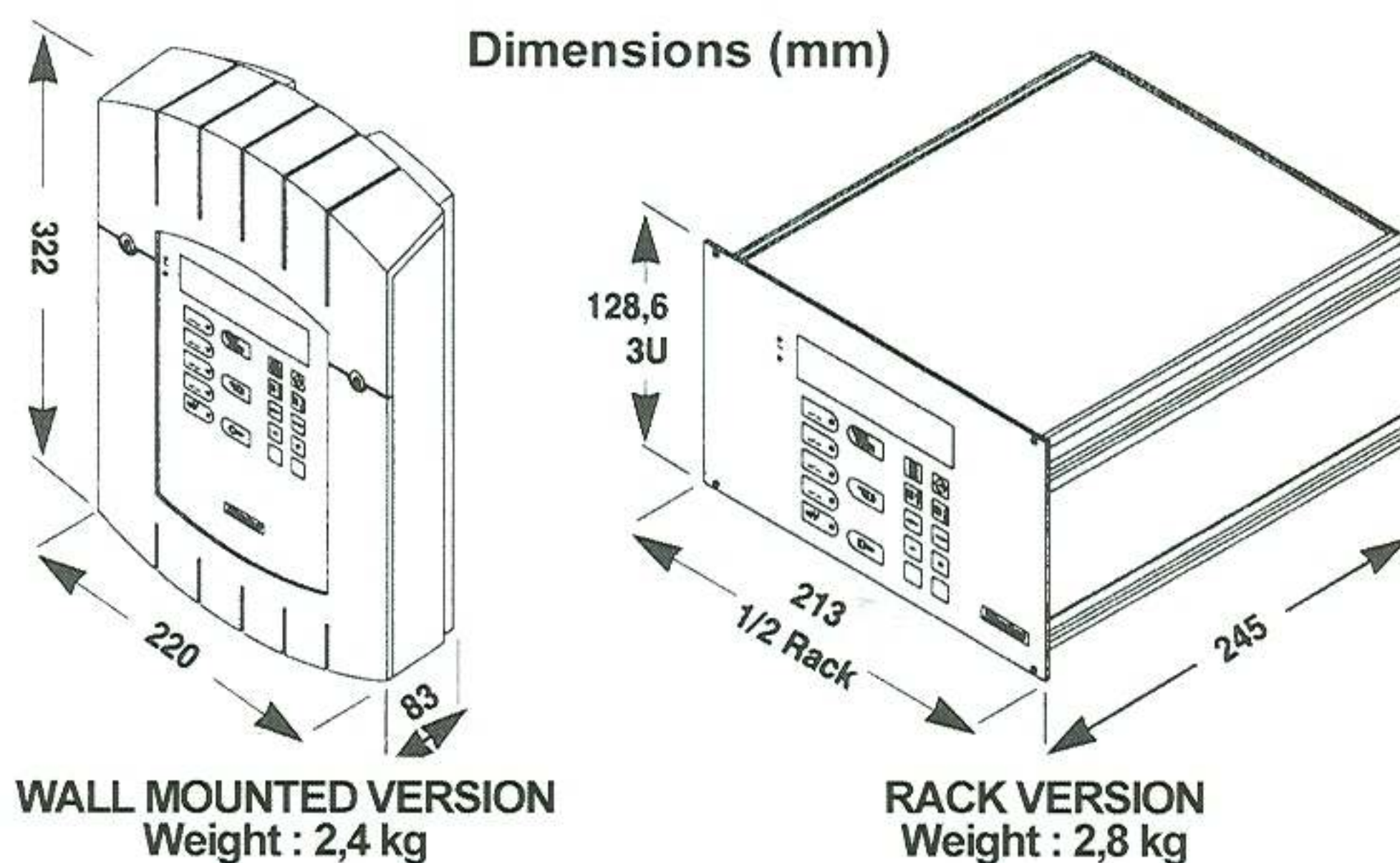
Models :

- 1 - Radio synchronizable, minute impulse output,
- 2 - Radio synchronizable, minute impulse + ASCII signal outputs,
- 3 - Radio synchronizable, minute + second impulse outputs,
- 4 - IRIG B/AFNOR signal input, minute impulse output.
- 5 - Radio synchronizable, minute impulse + IRIG B/AFNOR outputs.

Each model is available as wall mounted or 19" rack.

Optional : Melody triggering

Additional programming circuit generating melodies and chimes, which can be connected to a Public Address System (AUX output).



Installation diagram

