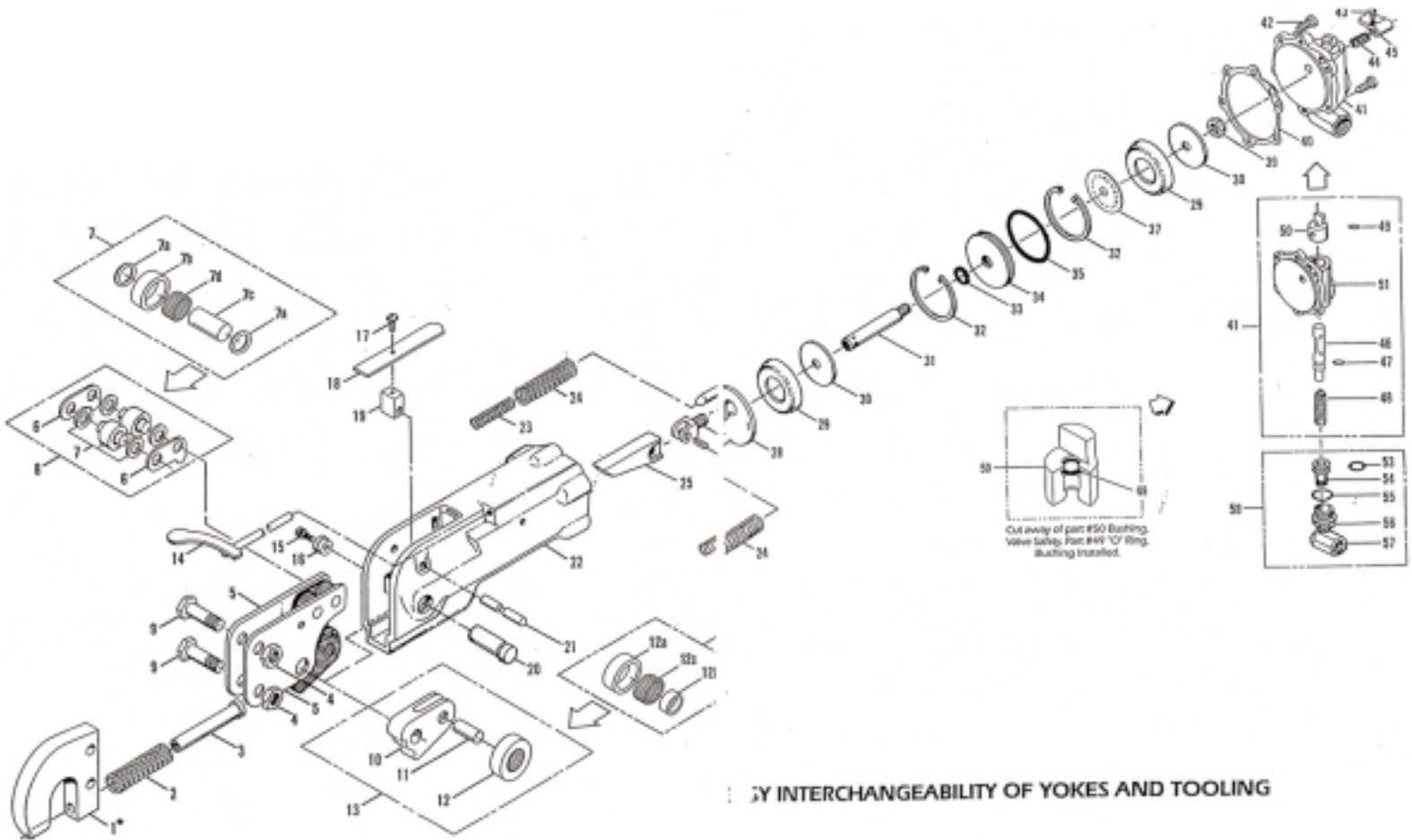


IDENTIFICATION DRAWING
FOR PEMSERTER® SERIES P3
PNEUMATIC INSTALLATION TOOL

PEMSERTER® PRODUCTS DIVISION
PennEngineering
PEM Fastening Systems
5161 APPLEBUTTER ROAD • BLDG 23
PIPERSVILLE, PENNSYLVANIA 18947
1-800-523-5321 • 1-215-766-3801



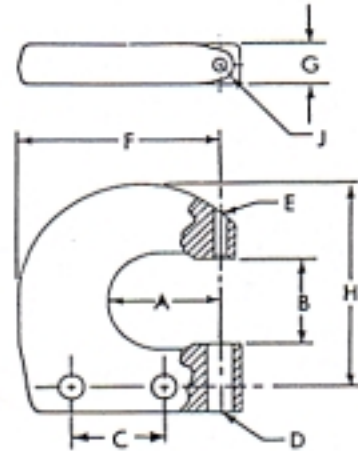
...Y INTERCHANGEABILITY OF YOKES AND TOOLING

SPECIFICATIONS

MODEL NO.	CAPACITY COLD RIVET				STANDARD "C" YOKE				SET HOLDER PLUNGER			NET WEIGHT WITH YOKE	LENGTH						
	Alum.		Steel		Reach		Gap		CLOSED HEIGHT	Maximum Travel	Max. Force With 90 P.S.I.			Part of Stroke at Max. Force (Final)					
	In.		In.		In.		In.								In.		Pounds	In.	
6000 C	3/16		5/32		1-1/2		1-1/4		11/16		9/16		6000	1/16		5-1/2		14	

C-YOKE NOMENCLATURE

- A Reach
- B Gap
- C Center line between bolt mounting holes
- D Bottom set hole diameter
- E Top set hole diameter
- F Width of yoke from set hole center to end of yoke
- G Thickness of yoke
- H Height of yoke from bolt hole center to top of yoke



STANDARD C-YOKE TYPES

Yoke Part No.	A	B	C	D	E	F	G	H	J
060.000	1-1/2	1-1/4	1-5/16	3/8	3/16	3	9/16	3-3/8	3-1/8
060.001	2	1-1/4	1-5/16	3/8	3/16	3-9/16	9/16	3-11/16	7-32
060.002	2-1/2	1-3/8	1-5/16	3/8	3/16	4-5/8	9/16	9-1/4	7-32
060.004	3	1-1/2	1-5/16	3/8	3/16	5-1/4	1	4-3/4	1/4
060.005	3-1/2	1-1/2	1-5/16	3/8	3/16	6-1/16	1	5	1/4

PARTS NUMBERS

ITEM	PART NO.	DESCRIPTION	QUAN.
1	060,000	YOKE, STANDARD 1 1/2"	1
2	200,000	SPRING, SET HOLDER	1
3	050,050	SET HOLDER, STANDARD	1
4	180,000	NUT, YOKE BOLT	2
5	050,011	YOKE, PLATE	2
6	080,000	WEDGE, GUIDE	2
7	120,000	ASS'Y, PLATE ROLLER	2
7a	190,004	THRUST WASHER	4
7b	040,000	BEARING, RACE	2
7c	220,002	SHAFT, ROLLER	2
7d	040,004	NEEDLE ROLLERS	40
8	120,010	ASS'Y, PLATE ROLLER COMPLETE	1
9	170,000	BOLT, YOKE	2
10	050,034	SET LEVER	1
11	220,001	SHAFT, LEVER BEARING	1
12	120,002	ASS'Y LEVER BEARING	1
12a	040,002	OUTER ROLLER	1
12b	040,001	INNER ROLLER	1
12c	040,003	NEEDLE ROLLERS	25
13	120,011	ASS'Y LEVER COMPLETE	1
14	110,000	THROTTLE LEVER	1
15	160,001	SCREW, LEVER SHAFT	1
16	050,009	WASHER, SHAFT	1
17	160,003	SCREW, ROLLER GUARD	1
18	080,002	ROLLER GUARD	1
19	050,010	SPACER, GUARD BLOCK	1
20	220,004	SHAFT, LEVER, ECCENTRIC	1
21	050,008	PIN, SPACER BLOCK	1
22	006,000	HOUSING, CYLINDER, BARE	1
23	200,001	SPRING, INNER	2
24	200,002	SPRING, OUTER	2
25	050,033	WEDGE	1
26	220,005	PIN, FORK	1

ITEM	PART NO.	DESCRIPTION	QUAN.
27	050,006	FORK	1
28	120,001	ASS'Y, PISTON	1
29	140,000	LEATHER, PISTON CUP	2
30	190,000	PLATE, PISTON LEATHER	2
31	050,028	SHAFT, PISTON	1
32	230,000	SNAP RING	2
33	150,003	*O* RING, SPACER INNER	1
34	050,013	SPACER, CYLINDER	1
35	150,004	*O* RING, SPACER OUTER	1
36			
37	050,038	PISTON, REAR	1
38			1
39	180,001	NUT 3/8" x 24 SELF-LOCKING	1
40	100,000	GASKET, CYLINDER HEAD	1
41	120,012	ASS'Y, CYLINDER HEAD SAFETY	1
42	160,000	SCREW, CYLINDER HEAD	6
43	160,002	SCREW, LEVER ARM	1
44	200,003	SPRING, THROTTLE LEVER	1
45	090,000	LEVER ARM	1
46	050,014	VALVE	1
47	150,000	*O* RING, VALVE	1
48	200,004	SPRING, VALVE	1
49	150,010	*O* RING, BUSHING	1
50	050,036	BUSHING, VALVE SAFETY	1
51	030,001	CYLINDER HEAD, BARE	1
52			
53	150,001	*O* RING, SWIVEL BOLT	1
54	050,031	SWIVEL	1
55	150,002	*O* RING, SWIVEL NUT	1
56	050,015	NUT, SWIVEL	1
57	050,030	ELBOW, INLET 1/4" PIPE	1
58	120,007	ASS'Y SWIVEL	1