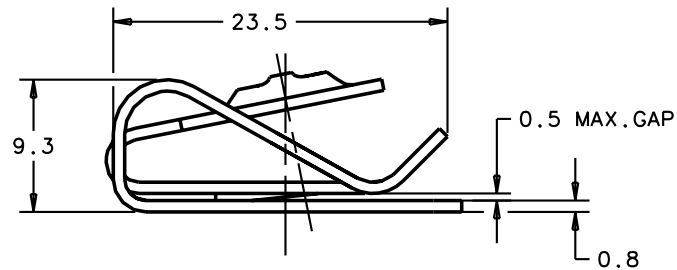
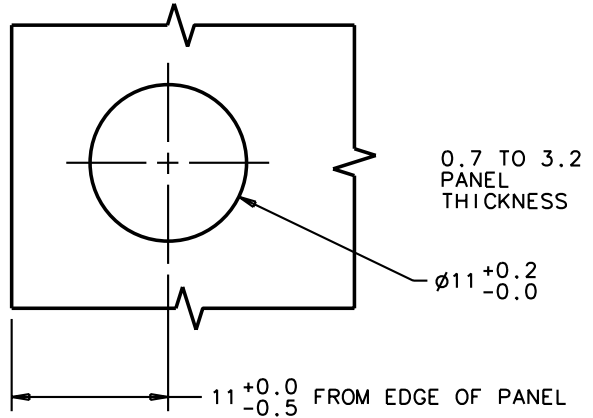
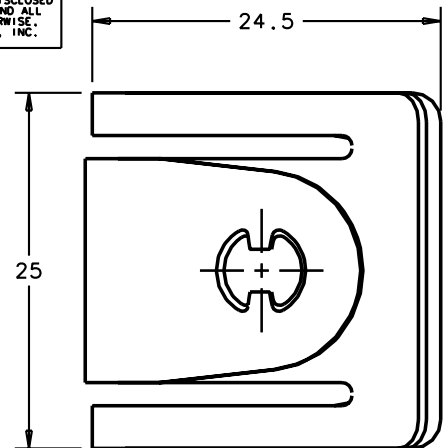


**PROPRIETARY ITEM**  
 EXCEPT FOR USES EXPRESSLY GRANTED  
 IN WRITING, INFORMATION DISCLOSED  
 HEREON IS CONFIDENTIAL AND ALL  
 RIGHTS, PATENT AND OTHERWISE,  
 ARE RESERVED BY SOUTHCO, INC.

REVISION HISTORY				
REV	DATE	DRAWN	CHECKED	DESCRIPTION
B	28FEB2007	VMV	VGW	PRN: P2007-0301
C	14MAR2007	DAW	RLR	PRN: P2007-0383



**PANEL PREPARATION**

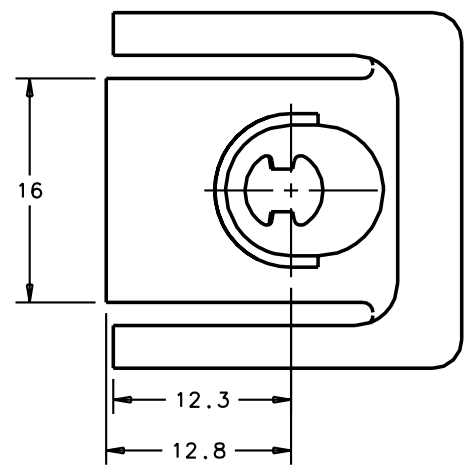
EXAMPLE PART NUMBER:

**D3-336-300-1XX**

BASIC PART NUMBER

1XX	FINISH
130*	SILVER ORGANIC COATING
131*	BLACK ORGANIC COATING
151*	BLACK XYLAN
164*	SILVER ORGANIC COATING
182*	BLACK ORGANIC COATING
190	ZINC PLATE BRIGHT CHROMATE

\*FINISH IS SPECIAL ORDER. CONTACT SOUTHCO FOR MINIMUM ORDER QUANTITIES.



D3-336-300-1XX	CARBON STEEL	SEE EXAMPLE PART NUMBER	
PART NUMBER	MATERIAL	FINISH	
THIRD ANGLE PROJECTION			
ALL DIMENSIONS WITHOUT TOLERANCES ARE FOR REFERENCE ONLY.			
	<b>SLIP ON PLATE</b>		
MILLIMETERS		SIZE A4	SYSTEM I-DEAS
		DWG NO J-D3-336-300-1XX	
VOLUME XXXXXmm <sup>3</sup>	MASS XXXXg	DRWN/CHKD VMV/VGW	DATE 28FEB2007
		SCALE 2:1	SHEET 1 OF 1