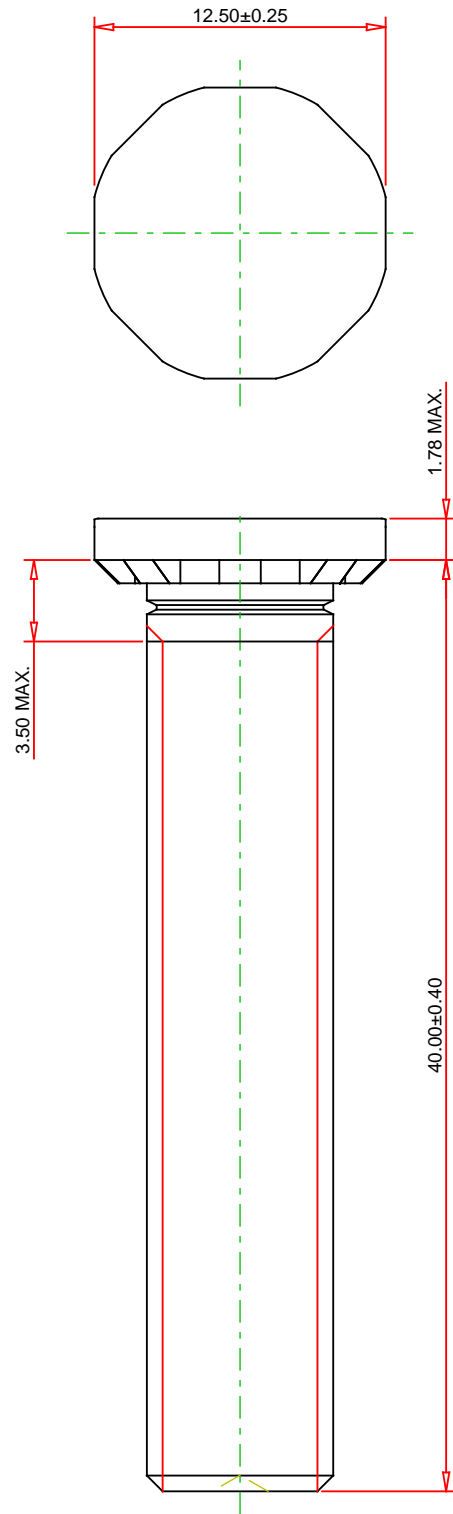
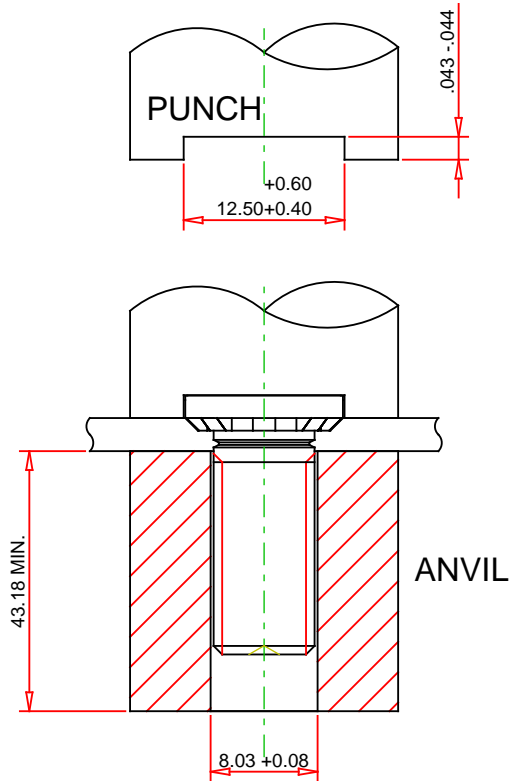


RECOMMENDED  
INSTALLATION  
TOOLING



© 2021 PennEngineering

ALL DIMENSIONS IN MILLIMETERS

DATE 28-JUN-2021

NOTE : DRAWING NOT TO SCALE

THREAD : M8 x 1.25

MOUNTING HOLE DIA. : 8.00 +0.13 -0.00

MATERIAL: PHOSPHOR BRONZE

PANEL THICKNESS: 2.00 MINIMUM

HEAT TREAT: NONE

MAX. PANEL HARDNESS: HRB 55 / HB 83

FINISH: NO FINISH

MIN CENTERLINE-TO-EDGE: 12.7

DESCRIPTION :  
HIGH-STRENGTH STUDS - TYPE HFH/HFHS/HFHB -  
METRIC



PennEngineering®

PART NO. :

EMAIL: TECHSUPPORT@PEMNET.COM

HFHB-M8-40X

WWW.PEMNET.COM