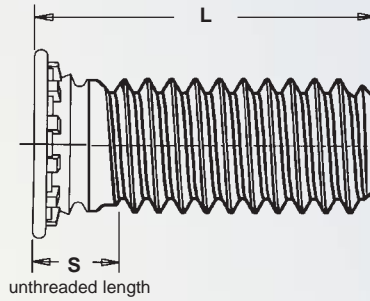
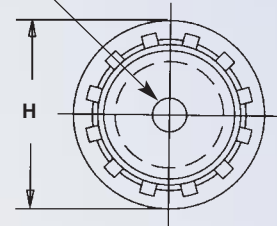


TYPE FH/FHS/FHA

- Flush-head for sheet thickness of .040" / 1 mm and greater.



Look for the PEM
"Dimple" Trademark



All dimensions are in inches.

	Thread Size	Type			Thread Code	Length Code "L" ±0.15 (Length Code in 16ths of an inch)										Min. Sheet Thickness	Hole Size in Sheet +.003 -.000	Max. Hole in Attach. Parts	H ± .015	S Max.	Min. Dist. Hole C/L to Edge
		Steel	Stainless Steel	Aluminum		.250	.312	.375	.500	.625	.750	.875	1.00	1.25	1.50						
UNIFIED	.086-56 (#2-56)	FH	FHS	NA	256	4	5	6	8	10	12 ^{NS}	NA	NA	NA	.040	.085	.105	.144	.075	.187	
	.112-40 (#4-40)	FH	FHS	FHA	440	4	5	6	8	10	12	14 ^{NS}	16 ^{NS}	NA	.040	.111	.135	.176	.085	.219	
	.138-32 (#6-32)	FH	FHS	FHA	632	4	5	6	8	10	12	14	16	20	24 ^{NS}	.040	.137	.160	.206	.090	.250
	.164-32 (#8-32)	FH	FHS	FHA	832	4	5	6	8	10	12	14	16	20	24 ^{NS}	.040	.163	.185	.237	.090	.281
	.190-24 (#10-24)	FH	FHS	FHA ^{NS}	024	NA	5 ^{NS}	6	8	10	12	14	16	20	24 ^{NS}	.040	.189	.210	.256	.100	.281
	.190-32 (#10-32)	FH	FHS	FHA	032	NA	5 ^{NS}	6	8	10	12	14	16	20	24	.040	.189	.210	.256	.100	.281
	.250-20 (1/4-20)	FH	FHS	FHA	0420	NA	NA	6 ^{NS}	8	10	12	14	16	20	24	.062	.249	.270	.337	.135	.312
	.313-18 (5/16-18)	FH	FHS	NA	0518	NA	NA	NA	8 ^{NS}	10	12	14	16	20	24	.093	.311	.333	.376	.160	.375

All dimensions are in millimeters.

	Thread Size x Pitch	Type			Thread Code	Length Code "L" ±0.4 (Length Code in millimeters)										Min. Sheet Thickness	Hole Size in Sheet +0.08	Max. Hole in Attach. Parts	H ± 0.4	S Max.	Min. Dist. Hole C/L to Edge
		Steel	Stainless Steel	Aluminum		6 ^{NS}	8 ^{NS}	10 ^{NS}	12 ^{NS}	15 ^{NS}	18 ^{NS}	NA	NA	NA	NA						
METRIC	M2.5x0.45	FH	FHS	FHA	M2.5	6 ^{NS}	8 ^{NS}	10 ^{NS}	12 ^{NS}	15 ^{NS}	18 ^{NS}	NA	NA	NA	NA	1	2.5	3.1	4.1	1.95	5.4
	M3x0.5	FH	FHS	FHA	M3	6 ^{NS}	8	10	12	15	18	20 ^{NS}	25 ^{NS}	NA	NA	1	3	3.6	4.6	2.1	5.6
	M3.5x0.6	FH	FHS	FHA	M3.5 ^{NS}	6	8	10	12	15	18	20	25	30	NA	1	3.5	4.1	5.3	2.25	6.4
	M4x0.7	FH	FHS	FHA	M4	6 ^{NS}	8	10	12	15	18	20	25	30 ^{NS}	35 ^{NS}	1	4	4.6	5.9	2.4	7.2
	M5x0.8	FH	FHS	FHA	M5	NA	8 ^{NS}	10	12	15	18	20	25	30 ^{NS}	35 ^{NS}	1	5	5.6	6.5	2.7	7.2
	M6x1	FH	FHS	FHA ^{NS}	M6	NA	NA	10	12	15	18	20	25	30	35	1.6	6	6.6	8.2	3	7.9
	M8x1.25	FH	FHS	NA	M8	NA	NA	NA	12 ^{NS}	15	18	20	25	30	35	2.4	8	8.6	9.6	3.7	9.6

NS Not Stocked, available on special order.

NA Not Available.