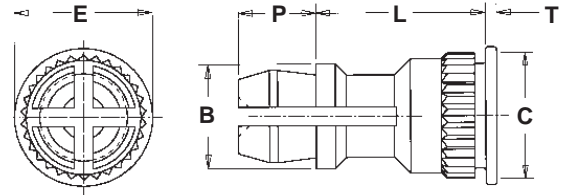


TYPE KSSB™ SNAP-TOP® STANDOFFS



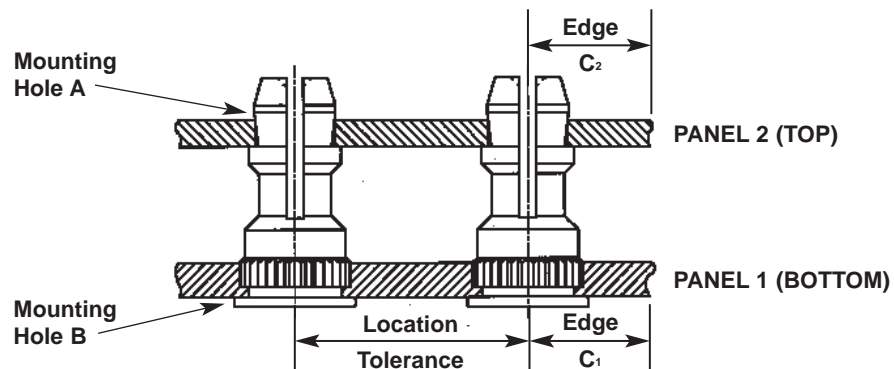
All dimensions are in inches.

UNIFIED	Type	Top Board Mounting Hole Diameter Code	Length "L" ± 0.005 (Length Code is in 32nds of an inch)											B ± 0.005	C Max.	E ± 0.005	P ± 0.005	T ± 0.005	D Anvil Hole $+0.003-.000$
			.250	.312	.375	.437	.500	.562	.625	.750	.875	1.00							
KSSB	156		8	10	12	14	16	18	20	24	28	32	.188	.228	.250	.141	.020	.216	

All dimensions are in millimeters.

METRIC	Type	Top Board Mounting Hole Diameter Code	Length "L" ± 0.13 (Length Code is in millimeters)											B ± 0.13	C Max.	E ± 0.13	P ± 0.13	T ± 0.13	D Anvil Hole $+0.08$
			8	10	12	14	16	18	20	22	25								
KSSB	4mm		8	10	12	14	16	18	20	22	25	4.77	5.74	6.35	3.58	0.51	5.49		

TYPE KSSB APPLICATION DATA



All dimensions are in inches.

UNIFIED	Type	PANEL 1 (Bottom)						PANEL 2 (Top)				
		Bottom Mounting Hole B $+0.003-.000$	Material	Hardness Max.	Thickness Min.	Edge Distance C_1 Min.	Location Tolerance Max.	Top Mounting Hole A $+0.003-.000$	Material	Hardness Max.	Thickness Range	Edge Distance C_2 Min.
KSSB		.213	PC BOARD	HRB 65	.050	.220	± 0.005	.156	PC BOARD OR METAL	NO LIMIT	.040 - .070	.100

All dimensions are in millimeters.

METRIC	Type	PANEL 1 (Bottom)						PANEL 2 (Top)				
		Bottom Mounting Hole B $+0.08$	Material	Hardness Max.	Thickness Min.	Edge Distance C_1 Min.	Location Tolerance Max.	Top Mounting Hole A $+0.08$	Material	Hardness Max.	Thickness Range	Edge Distance C_2 Min.
KSSB		5.4	PC BOARD	HRB 65	1.25	5.6	± 0.13	4	PC BOARD OR METAL	NO LIMIT	1 - 1.8	2.5