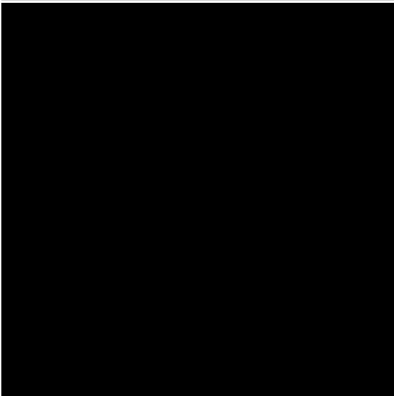
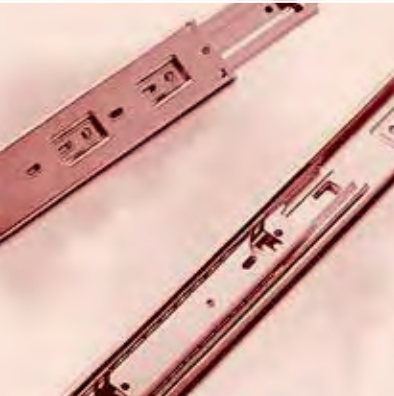
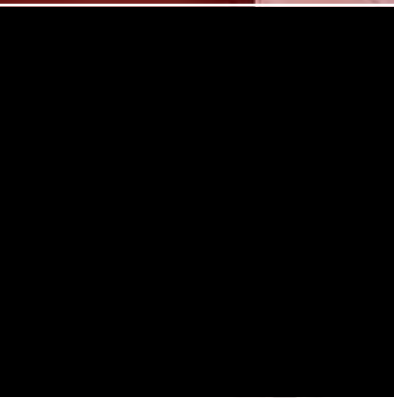


PAGE	
44	Single Extension Drawer Slides
48	Concealed Full Ext. Soft Close Drawer Slides
50	Concealed Full Ext. Push Drawer Slides
52	Dynapro Technical Information
54	Touch Release Ball Bearing Drawer Slides
58	Soft Close Ball Bearing Drawer Slides
62	Full Extension Ball Bearing Drawer Slides



# DRAWER SLIDES

# DRAWER SLIDES

## Single Extension Drawer Slides

### Grass Single Extension Drawer Slide

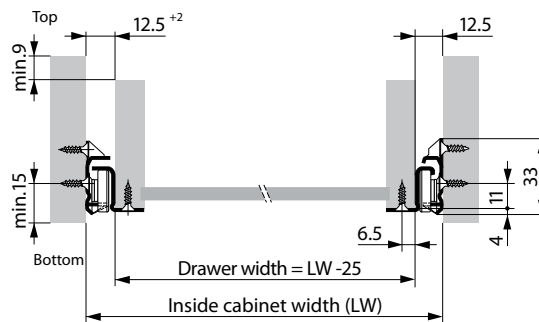


- single extension slide with nylon rollers
- 30kg load capacity (35kg 600mm - 800mm)
- bottom mounting
- installation width 12.5mm
- double stop
- secure stop in open state possible

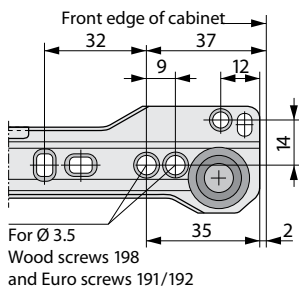


CODES	Description	Extension loss	Pack size
008125	250mm white	90mm	25 sets
008130	300mm white	90mm	25 sets
008135	350mm white	90mm	25 sets
008140	400mm white	90mm	25 sets
008145	450mm white	103mm	25 sets
008150	500mm white	103mm	25 sets
008155	550mm white	118mm	25 sets
008160	600mm white	118mm	25 sets
008170	700mm white	138mm	25 sets
008180	800mm white	138mm	25 sets

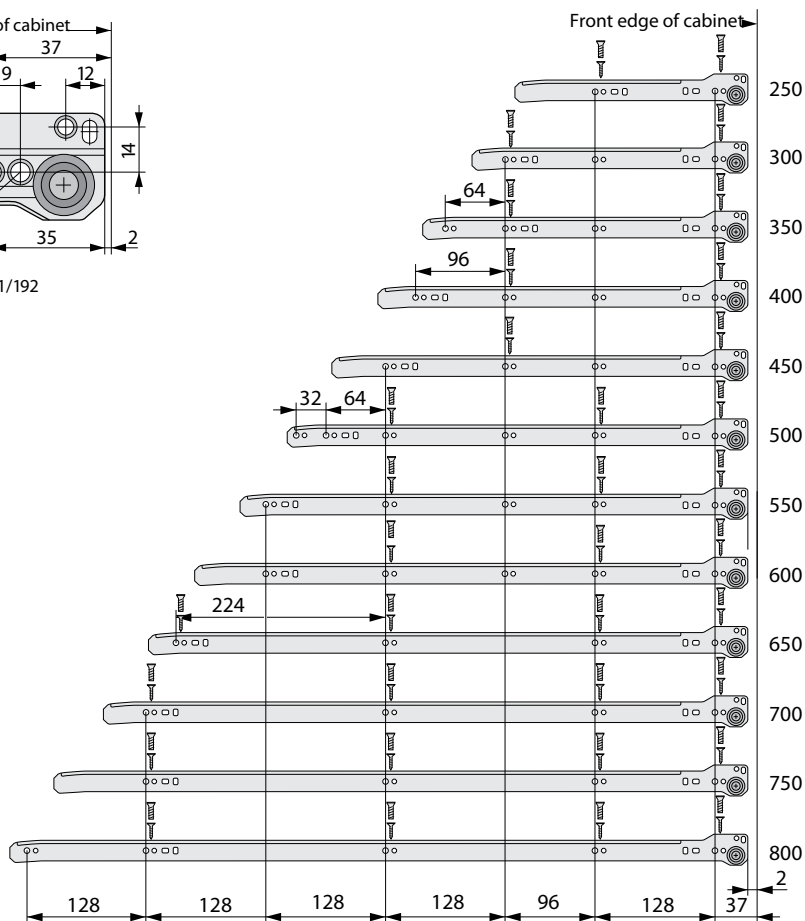
#### Mounting Positions:



#### Mounting Positions for front of cabinet slide:



#### Mounting Positions for Cabinet Slides:



## Single Extension Drawer Slides



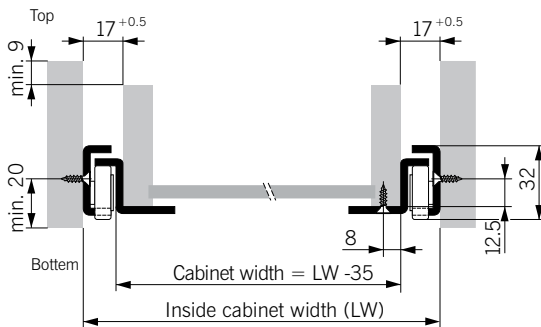
### Grass Single Extension Drawer Slide - Heavy Duty 100kg

- single extension slide with steel ball bearings
- 100kg load capacity
- bottom mounting
- installation width 17.5mm
- self closing
- double stop
- secure stop in open state possible

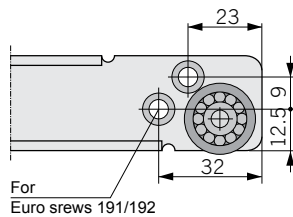


CODES	Description	Extension loss	Pack size
008460	600mm zinc plated	115mm	10 sets
008470	700mm zinc plated	115mm	10 sets
008480	800mm zinc plated	135mm	10 sets
008490	900mm zinc plated	135mm	10 sets
008500	1000mm zinc plated	135mm	10 sets

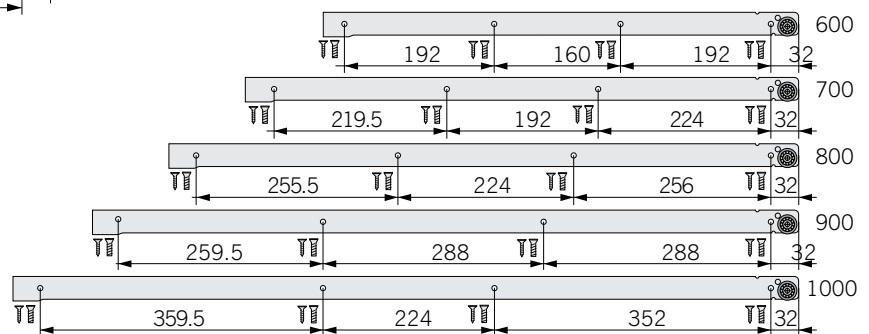
### Mounting Positions



### Mounting Positions for front of cabinet slide



### Mounting Positions for Cabinet Slides



# DRAWER SLIDES



## Single Extension Drawer Slides

### Tradecraft Single Extension Drawer Slide

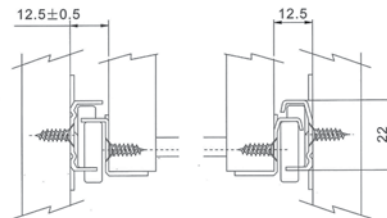
- single extension slide with nylon rollers
- 25kg load capacity
- bottom mounting
- installation width 12.5mm
- self closing



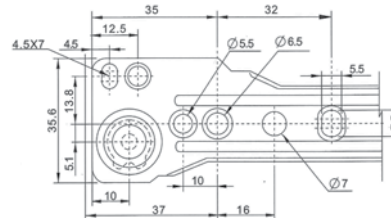
TRADECRAFT

CODES	Description	Pack size
54A8201250	250mm white	20 sets
54A8201300	300mm white	20 sets
54A8201350	350mm white	20 sets
54A8201400	400mm white	20 sets
54A8201450	450mm white	20 sets
54A8201500	500mm white	20 sets
54A8201550	550mm white	20 sets
54A8201600	600mm white	20 sets
54A8202350	350mm brown	20 sets
54A8202400	400mm brown	20 sets
54A8202450	450mm brown	20 sets
54A8202500	500mm brown	20 sets
54A8203250	250mm black	20 sets
54A8203300	300mm black	20 sets
54A8203350	350mm black	20 sets
54A8203400	400mm black	20 sets
54A8203450	450mm black	20 sets
54A8203500	500mm black	20 sets
54A8203550	550mm black	20 sets

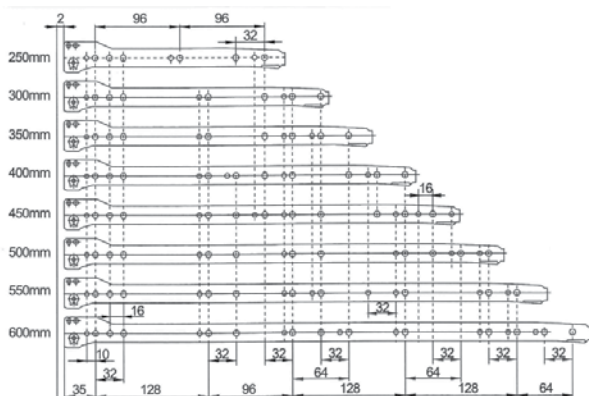
### Mounting Positions



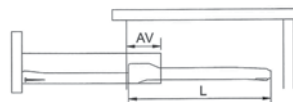
### Mounting Positions for front of cabinet slide



### Mounting Positions for Cabinet Slides



### Extension Loss



L	250	300	350	400	450	500	550	600
AV	87	87	87	97	97	97	117	117

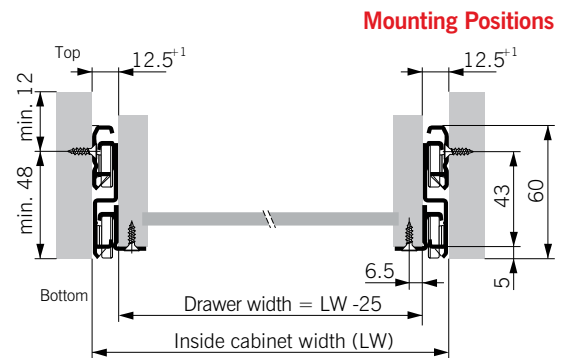
## Single Extension Drawer Slides

### G\* Grass Full Extension Drawer Slide

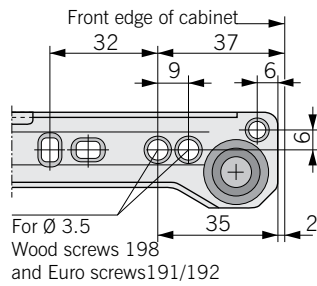
- full extension slide with nylon rollers
- 50kg load capacity
- bottom mounting
- installation width 12.5mm
- 30mm over extension
- self closing
- central rail can be adjusted



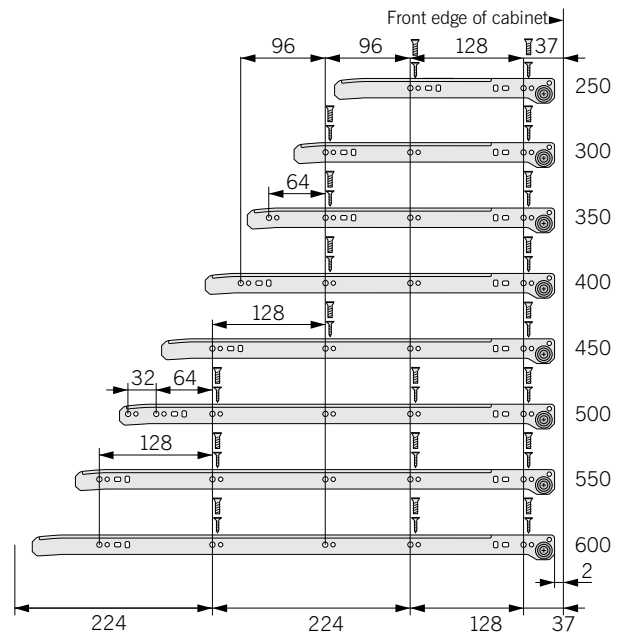
CODES	Description	Extension gain	Pack size
008197	250mm white	30mm	10 sets
008198	300mm white	30mm	10 sets
008199	350mm white	30mm	10 sets
008200	400mm white	30mm	10 sets
008201	450mm white	30mm	10 sets
008202	500mm white	30mm	10 sets
008203	550mm white	30mm	10 sets
008204	600mm white	30mm	10 sets



### Mounting Positions for front of cabinet slide



### Mounting Positions for Cabinet Slides



# DRAWER SLIDES

## Concealed Full Ext. Soft Close Drawer Slides

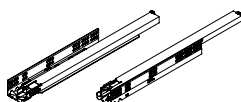
### Grass Dynapro Full Extension Drawer Slides Soft Close 40/60kg



- Full extension drawer, synchronised 40 kg or 60 kg load capacity
- Soft-close damping system
- Stepless self-locking of the drawer when placed on the slide
- Integrated, tool-free 3-dimensional adjustment  
height adjustment + 3.5 mm  
side adjustment  $\pm 1.5$  mm  
tilt angle adjustment + 4 mm



#### Dynapro Soft-close full extension drawer slides

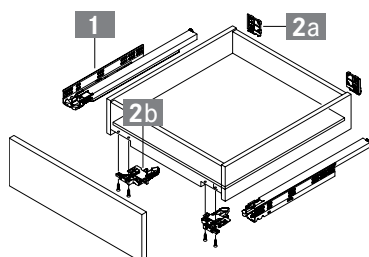


NL	40 kg	60 kg
250	<b>008825</b>	–
300	<b>008830</b>	–
350	<b>008835</b>	–
400	<b>008840</b>	–
450	<b>008845</b>	–
500	<b>008850</b>	<b>008550</b>
550	<b>008855</b>	<b>008555</b>
600	–	<b>008560</b>
650	–	<b>008565</b>

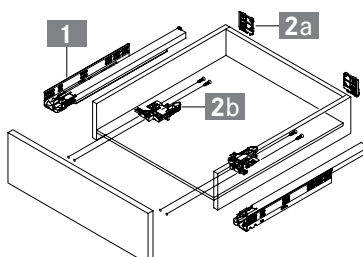
Locking device and adjustment adapter in the set, consisting of items a and b



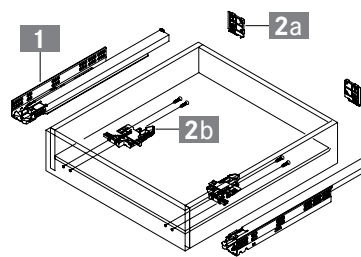
	Item No.	
	<b>008810</b>	



4-sided drawer



3-sided drawer



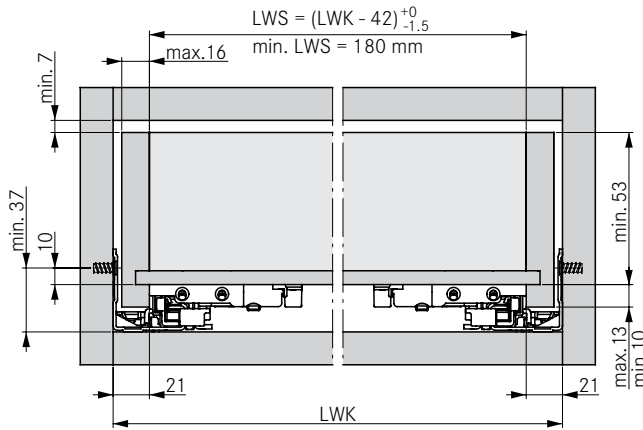
Inset drawer

## Concealed Full Ext. Soft Close Drawer Slides

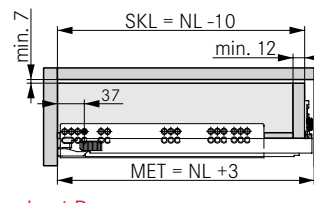
### G\* Dynapro Full Extension Drawer Slides Soft Close 40/60kg

#### Installation information

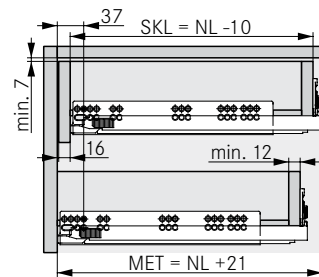
##### Installation dimensions



##### Drawer



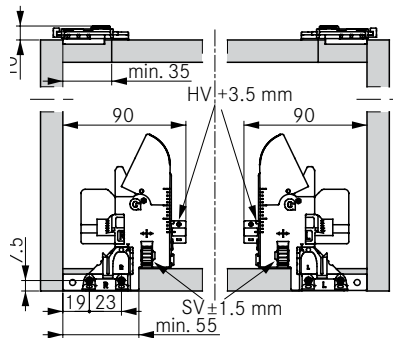
##### Inset Drawer



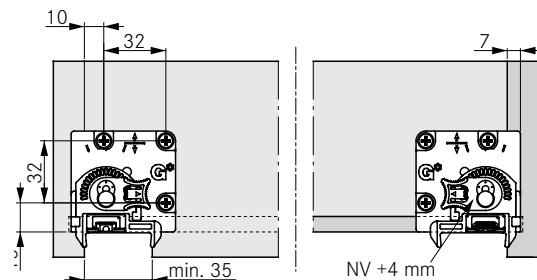
#### All dimensions in millimetres

NL	SKL	MET
250	240	253
270	260	273
300	290	303
320	310	323
350	340	353
380	370	383
400	390	403
420	410	423
450	440	453
480	470	483
500	490	503
520	510	523
550	540	553
580	570	583
600	590	603
650	640	653
700	690	703
750	740	753

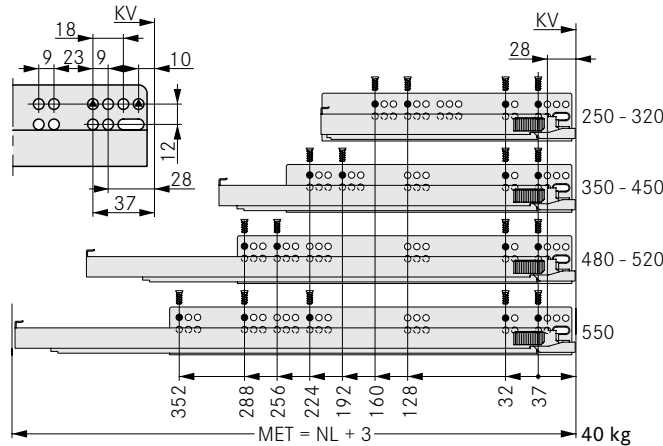
#### Locking device fixing position



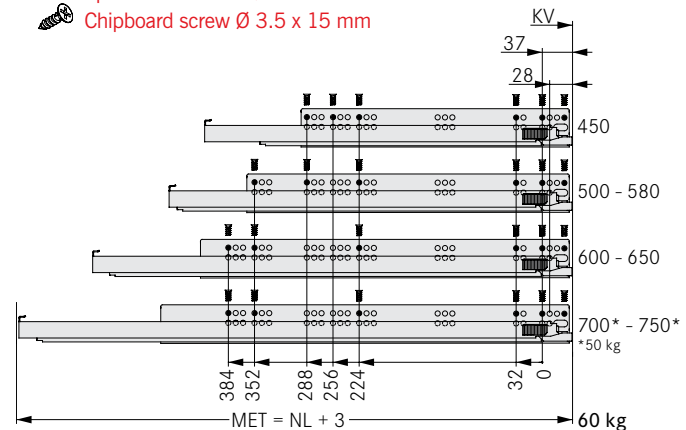
#### Adjustment adapter fixing position



#### Fixing positions for full extension drawer slides



- Special Euro screw Ø 6.3 x 14 mm
- Chipboard screw Ø 3.5 x 15 mm



#### LEGEND

- |     |                       |     |                            |    |                 |
|-----|-----------------------|-----|----------------------------|----|-----------------|
| HV  | Height adjustment     | MET | Minimum installation depth | SV | Side adjustment |
| KV  | Front edge of cabinet | NL  | Nominal length             |    |                 |
| LWK | Inside cabinet width  | NV  | Tilt angle adjustment      |    |                 |
| LWS | Internal drawer width | SKL | Length of drawer           |    |                 |

# DRAWER SLIDES

## Concealed Full Ext. Push Drawer Slides

### Dynapro Full Extension Drawer Tipmatic Plus 40kg

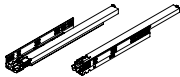


- Full extension drawer, synchronised 40 kg load capacity
- Tipmatic Plus automatic ejection mechanism
- Stepless self-locking of the drawer when placed on the slide
- Integrated, tool-free 3-dimensional adjustment  
height adjustment + 3.5 mm  
side adjustment  $\pm 1.5$  mm  
tilt angle adjustment + 4 mm  
front gap adjustment  $\pm 1.5$  mm

- **Tipmatic function:**
- Can be triggered by gently tapping anywhere on the surface of the front
- Drawer extends fully to allow optimal access to contents
- Reliable closing through catch function
- Depth adjustment on both sides ensures precise front gap adjustment



#### Dynapro Tipmatic Plus full extension drawer



NL	40 kg	60 kg
250	008925	–
300	008930	–
350	008935	–
400	008940	–
450	008945	–
500	008950	–
550	008955	–

Front locking device and Tipmatic Plus adjustment adapter, locking unit and connecting lever in a set consisting of items a, b, c and d

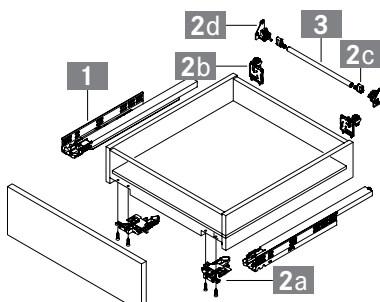


Item No.
008911

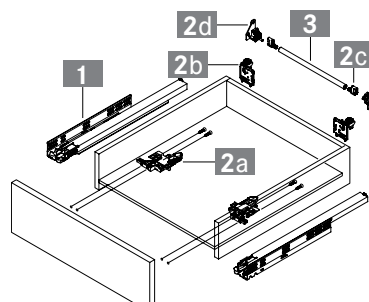
Synchronisation rod for KB 1200 with S16 for cutting to length



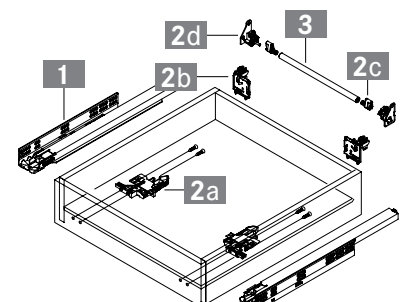
KB	Item No.
1200	008912



4-sided drawer



3-sided drawer



Inset drawer



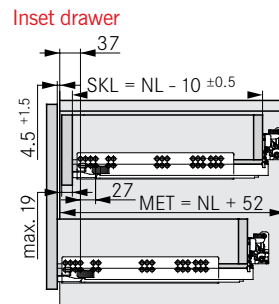
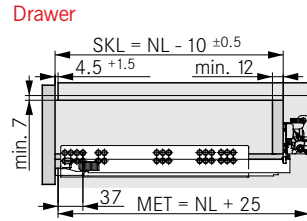
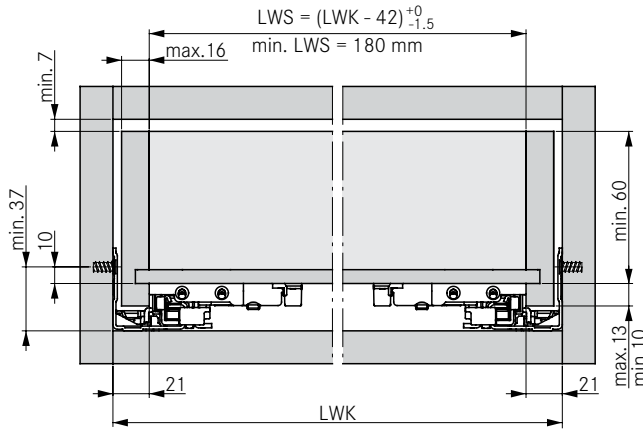
## Concealed Full Ext. Push Drawer Slides

### Dynapro Full Extension Drawer Tipmatic Plus 40/60kg

Installation information

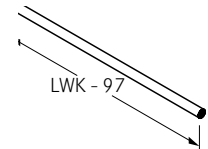
Installation dimensions

All dimensions in millimetres

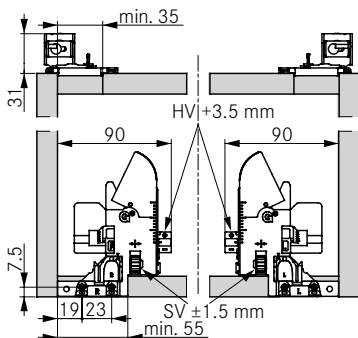


NL	SKL	MET
250	240	275
270	260	295
300	290	325
320	310	345
350	340	375
380	370	405
400	390	425
420	410	445
450	440	475
480	470	505
500	490	525
520	510	545
550	540	575
580	570	605
600	590	625
650	640	675

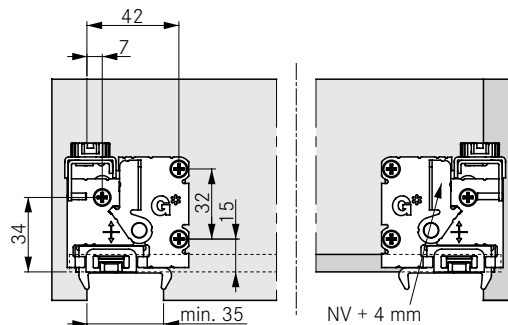
Synchronisation rod cutting dimension



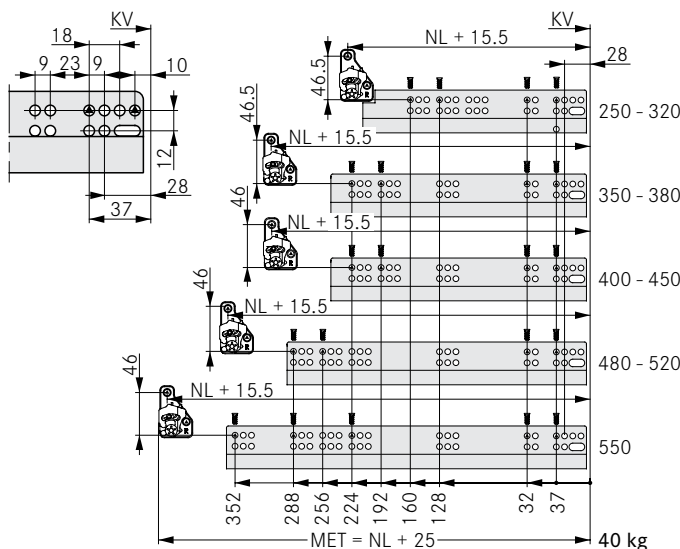
Locking device fixing position



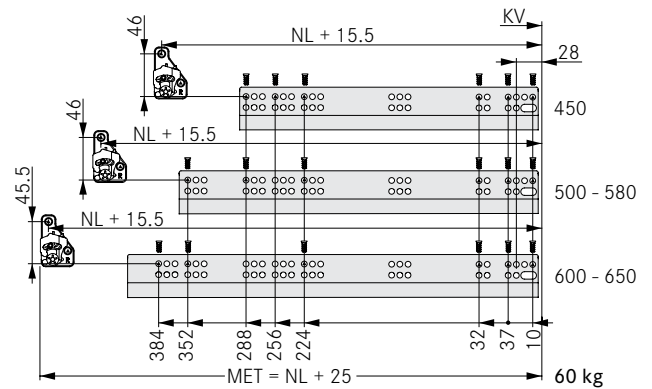
Adjustment adapter fixing position



Fixing positions for full extension drawer



Special Euro screw Ø 6.3 x 14 mm  
Chipboard screw Ø 3.5 x 15 mm



**LEGEND**

- HV Height adjustment
- KB Cabinet width
- KV Front edge of cabinet
- LWK Inside cabinet width
- LWS Internal drawer width
- MET Minimum installation depth
- NL Nominal length
- NV Tilt angle adjustment
- SKL Length of drawer
- SV Side adjustment

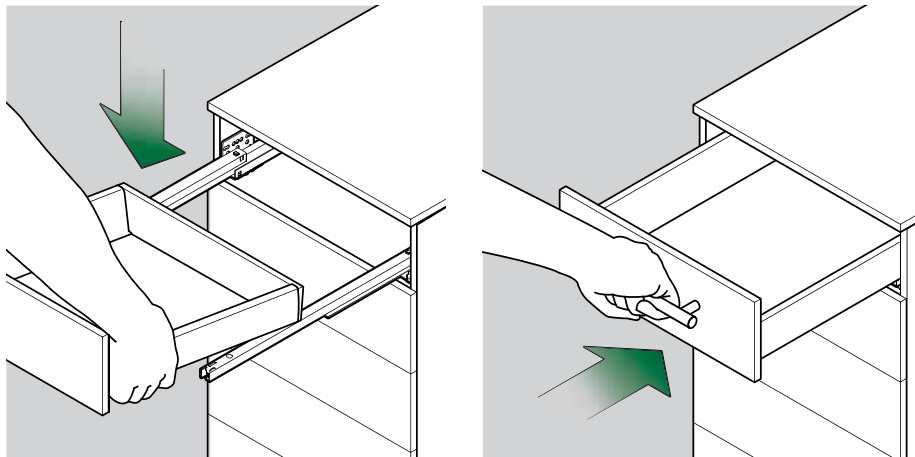
# DRAWER SLIDES

## Dynapro Technical Information

### Installation information

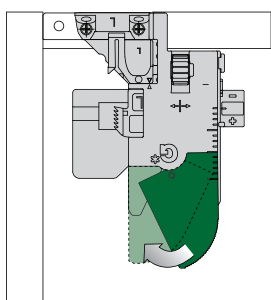
#### Inserting the drawer

Place the drawer on the extended Dynapro slides and push in until it audibly engages.



#### Removing the drawer

Pull the drawer out, move the lever of the locking device and lift the drawer from the slides.

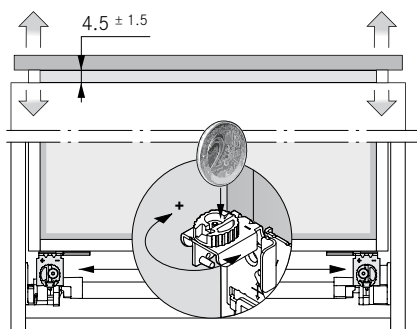


### Dynapro Tipmatic Plus

#### Front gap adjustment

The reliable opening and closing of the drawer depends on the front gap adjustment (factory setting 4.5 mm).

Depth can be adjusted on both sides (2 clicks = approx. 1 mm)



### Notes

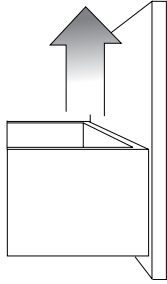
#### Fixing the cabinet rails:

The screw recommendations are guide values only.  
Assemblers must ensure that the substrate material is thick enough.

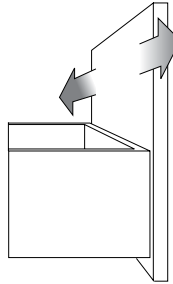
## Dynapro Technical Information

### Adjustment

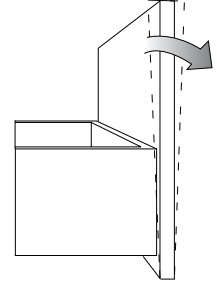
Height adjustment  
(max. +3.5 mm)



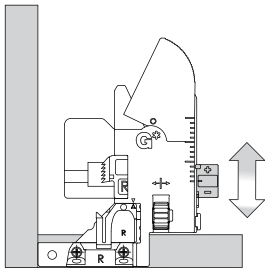
Side adjustment  
(max.  $\pm 1.5$  mm)



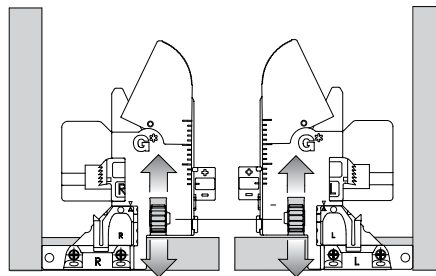
Tilt angle adjustment of front  
(max. +4.0 mm)



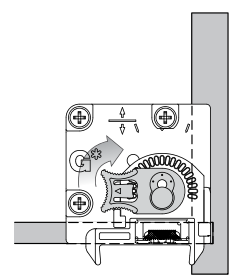
### Dynapro Soft-close



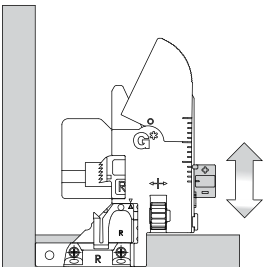
### Dynapro Soft-close



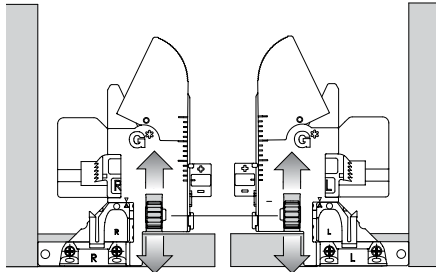
### Dynapro Soft-close



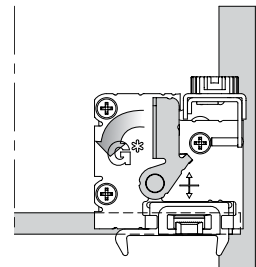
### Dynapro Tipmatic Plus



### Dynapro Tipmatic Plus



### Dynapro Tipmatic Plus



# DRAWER SLIDES



## Touch Release Ball Bearing Drawer Slides

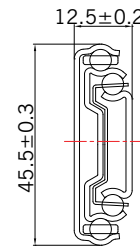


### GSlide Touch Release Ball Bearing Slides - Side Mount

- full extension
- integrated touch release function
- non-handed disconnect release
- 45kg load capacity
- rebound of 50mm - 100mm

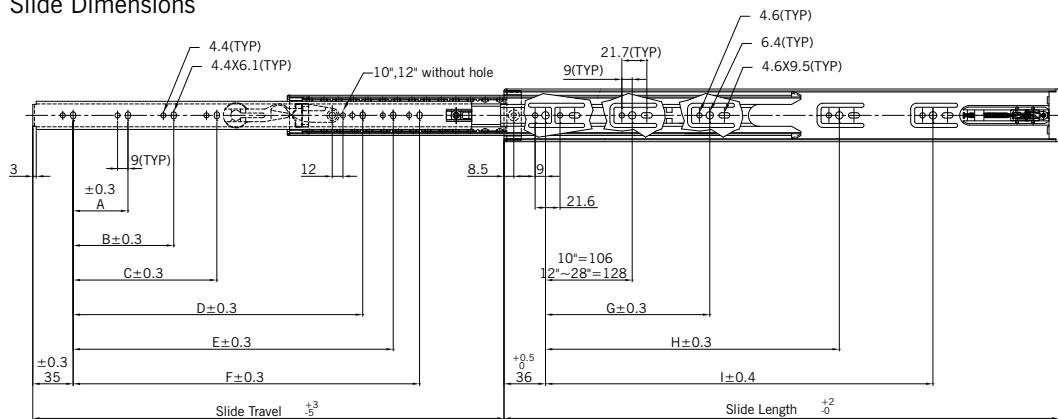


CODES	Description	Pack size
545.94530.352	300mm zinc	10 sets
545.94535.352	350mm zinc	10 sets
545.94540.352	400mm zinc	10 sets
545.94545.352	450mm zinc	10 sets
545.94550.352	500mm zinc	10 sets
545.94555.352	550mm zinc	10 sets
545.94560.352	600mm zinc	10 sets
545.94530.334	300mm black	10 sets
545.94535.334	350mm black	10 sets
545.94540.334	400mm black	10 sets
545.94545.334	450mm black	10 sets
545.94550.334	500mm black	10 sets
545.94555.334	550mm black	10 sets



Profile

### Slide Dimensions



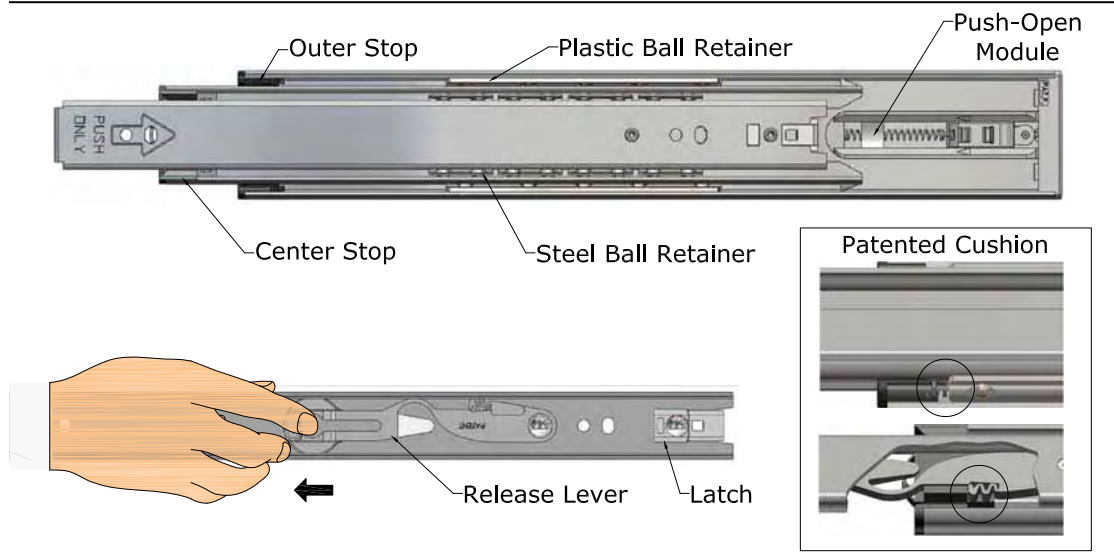
SIZE	Slide Length	Slide Travel	Load Rating/Kg	A	B	C	D	E	F	G	H	I
10" (250)	250	238	20						156			
12" (300)	300	305	25						200			
14" (350)	350	356	35	96					256	192		
16" (400)	400	406	40	128					294	224		
18" (450)	450	457	45	96	160				344	288		
20" (500)	500	508	45	96	160	352			394	224	352	
22" (550)	550	559	40	128	192	384			444	224	352	
24" (600)	600	610	40	128	224	416			494	224	352	448
26" (650)	650	660	35	128	224	416	480		544	224	352	480
28" (700)	700	711	35	128	224	288	480	544	594	224	352	544

mm

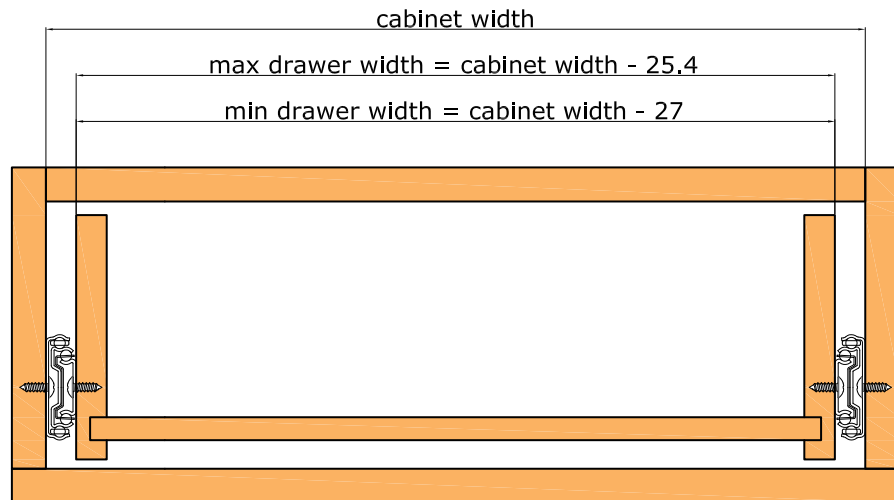
## Touch Release Ball Bearing Drawer Slides



GSlide Touch Release Ball Bearing Slides - Side Mount



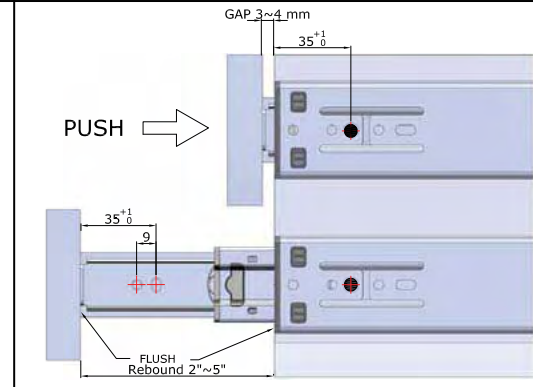
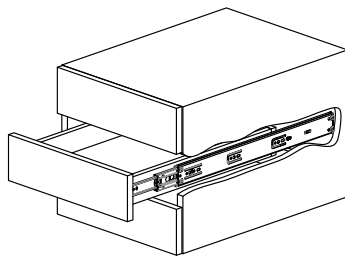
### Drawer Slide Mounting Profile



\* max drawer width = slide length + 200 (mm)

### APPLICATIONS:

For use in wood pedestals, dresser, desk, casework, residential and kitchen cabinetry.

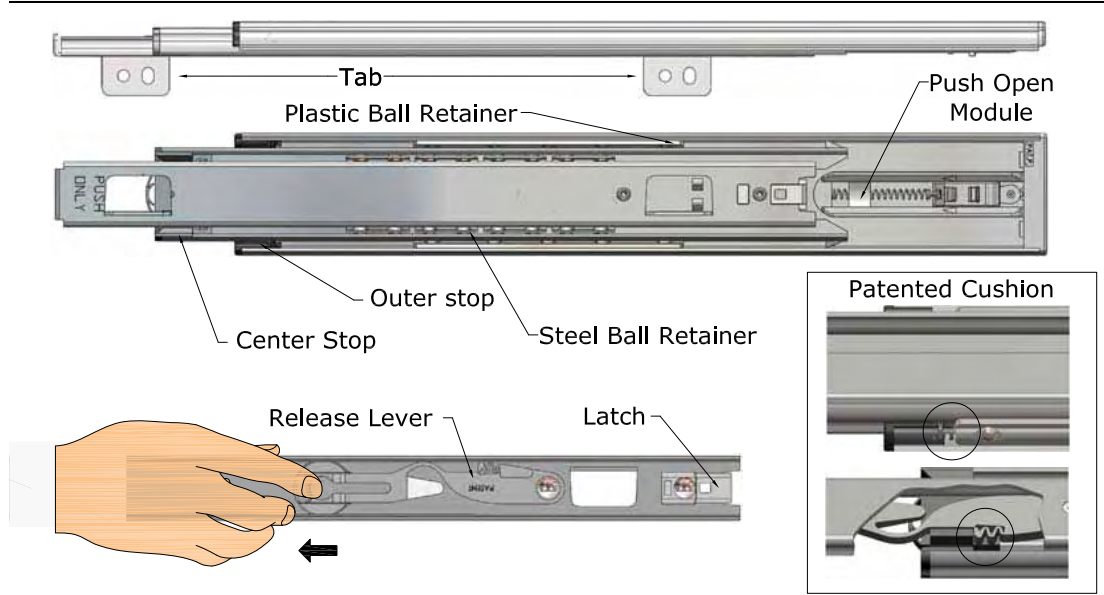




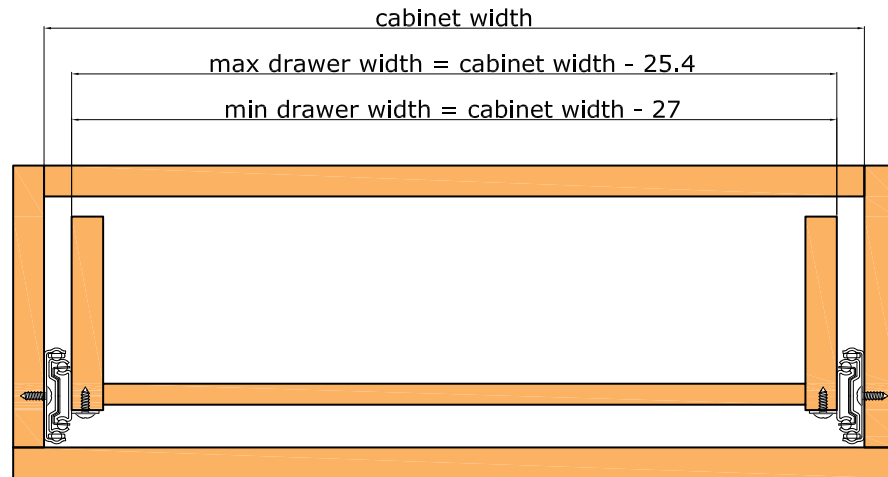
## Touch Release Ball Bearing Drawer Slides



GSlide Touch Release Ball Bearing Slides - Bottom Mount



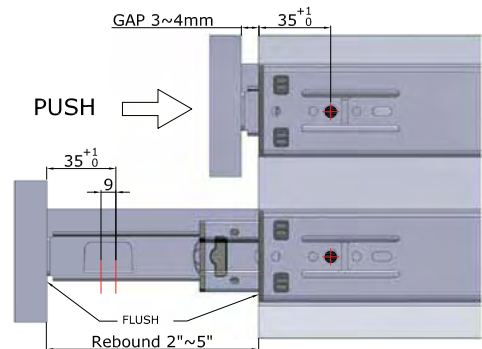
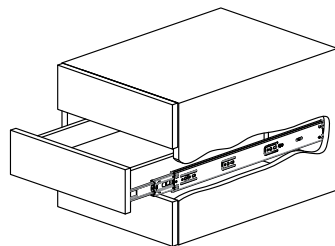
### Drawer Slide Mounting Profile



\* max drawer width = slide length + 200 (mm)

### APPLICATIONS:

For use in wood pedestals, dresser, desk, casework, residential and kitchen cabinetry.



# DRAWER SLIDES



## Soft Close Ball Bearing Drawer Slides

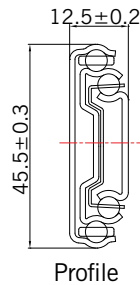
### GSlide Soft Close Ball Bearing Slides - Side Mount



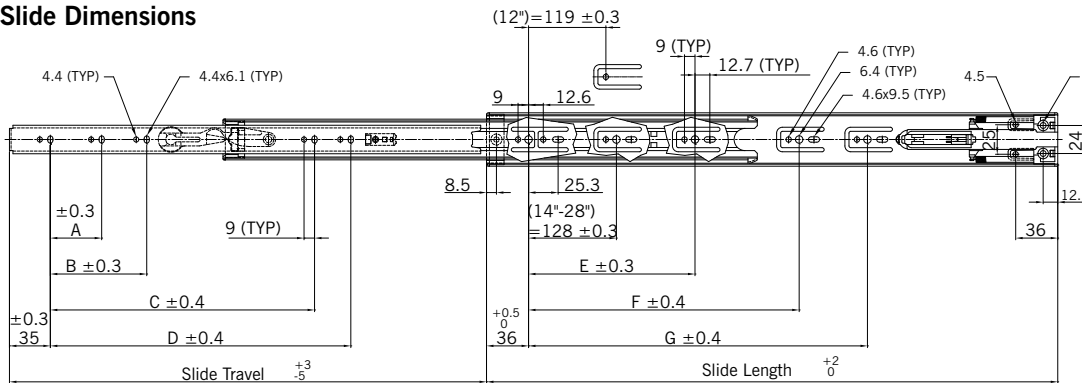
- 45kg load capacity
- 30mm stroke of self closing
- integrated soft closing function
- non handed disconnect release
- 13mm side clearance



CODES	Description	Pack size
545.74530.352	300mm zinc	10 sets
545.74535.352	350mm zinc	10 sets
545.74540.352	400mm zinc	10 sets
545.74545.352	450mm zinc	10 sets
545.74550.352	500mm zinc	10 sets
545.74555.352	550mm zinc	10 sets
545.74560.352	600mm zinc	10 sets
545.74565.352	650mm zinc	10 sets
545.74570.352	700mm zinc	10 sets
545.74535.334	350mm black	10 sets
545.74540.334	400mm black	10 sets
545.74545.334	450mm black	10 sets
545.74550.334	500mm black	10 sets
545.74555.334	550mm black	10 sets



### Slide Dimensions



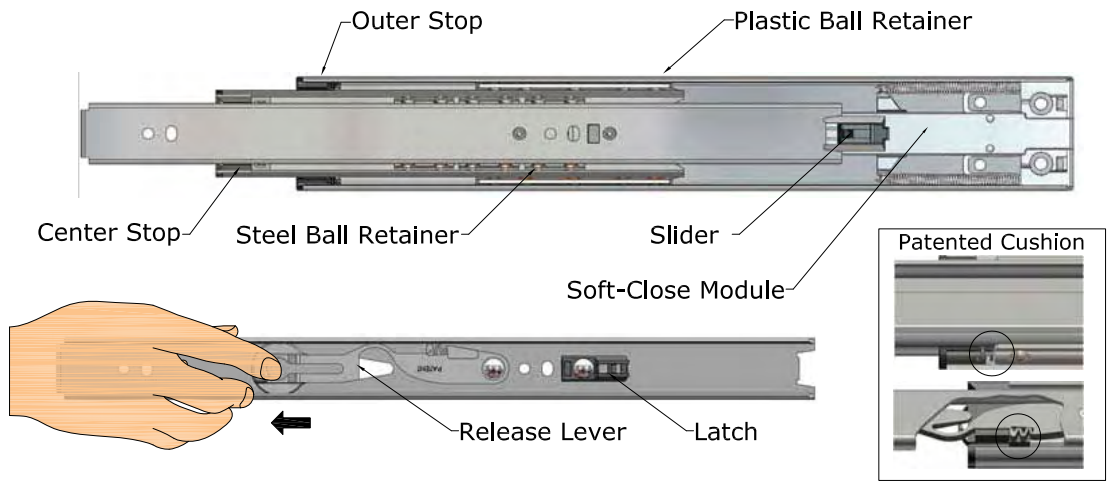
SIZE	Slide Length	Slide Travel	Load Rating/Kg	A	B	C	D	E	F	G
12" (300)	300	213	20				156			
14" (350)	350	303	25				200			
16" (400)	400	404	30	96			256	208		
18" (450)	450	455	35	128			294	256		
20" (500)	500	505	40	96	160		344	304		
22" (550)	550	555	45	96	160		394	224	352	
24" (600)	600	605	35	128	192		444	224	352	
26" (650)	650	655	35	128	224	416	494	224	352	448
28" (700)	700	705	35	128	224	480	544	224	352	496



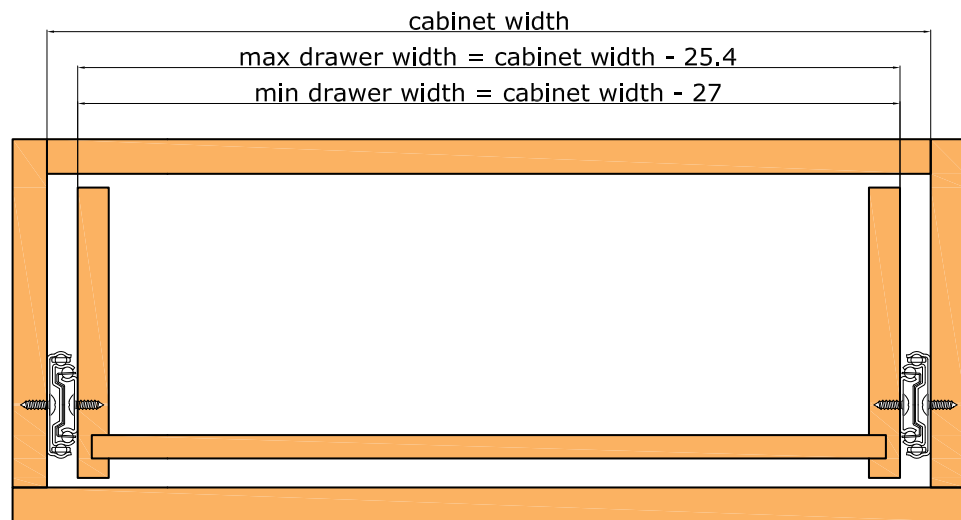
## Soft Close Ball Bearing Drawer Slides



GSlide Soft Close Ball Bearing Slides - Side Mount



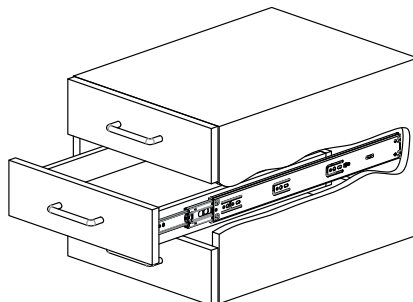
### Drawer Slide Mounting Profile



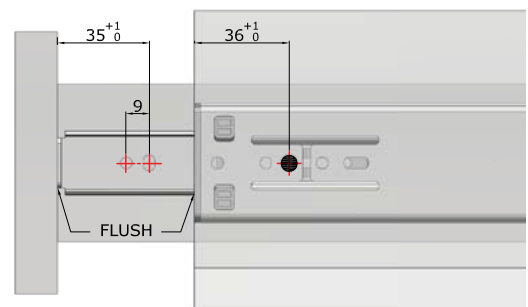
\* max drawer width = slide length + 200 (mm)

### APPLICATIONS:

For use in wood pedestals, dresser, desk, casework, residential and kitchen cabinetry.



### 38mm stroke of Soft-Closing



# DRAWER SLIDES



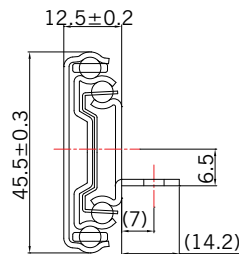
## Soft Close Ball Bearing Drawer Slides

### GSlide Soft Close Ball Bearing Slides - Bottom Mount

- 45kg load capacity
- 30mm stroke of self closing
- integrated soft closing function
- non handed disconnect release
- 13mm side clearance

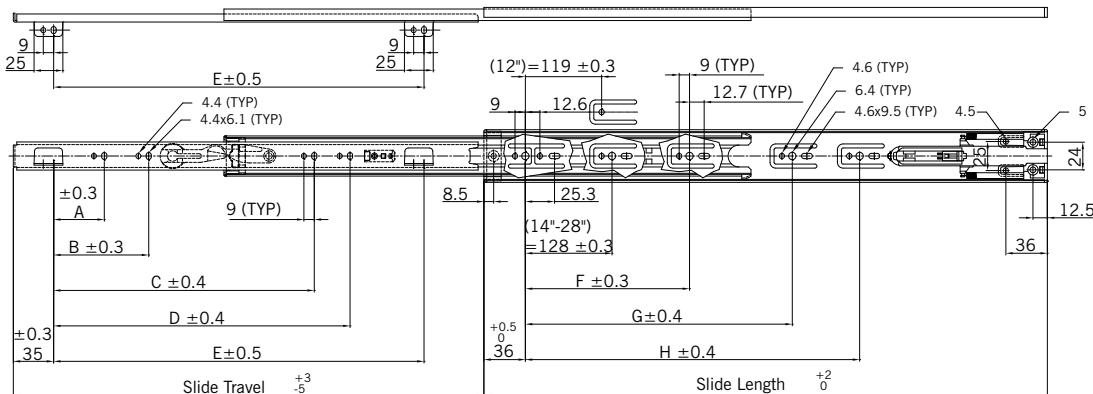


CODES	Description	Pack size
547.74530.352	300mm zinc	10 sets
547.74535.352	350mm zinc	10 sets
547.74540.352	400mm zinc	10 sets
547.74545.352	450mm zinc	10 sets
547.74550.352	500mm zinc	10 sets
547.74555.352	550mm zinc	10 sets
547.74560.352	600mm zinc	10 sets
547.74540.334	400mm black	10 sets
547.74545.334	450mm black	10 sets
547.74550.334	500mm black	10 sets
547.74555.334	550mm black	10 sets



Profile

### Slide Dimensions



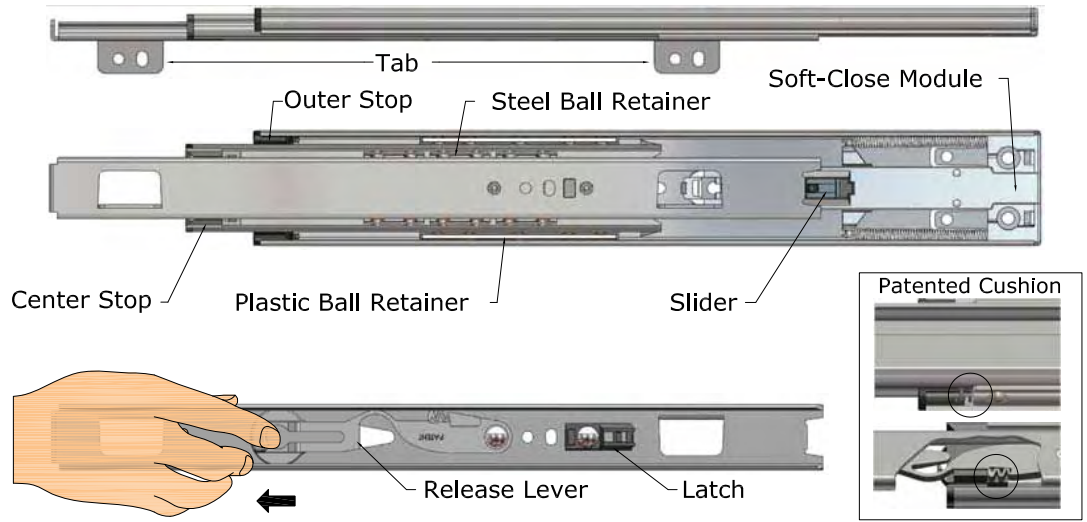
SIZE	Slide Length	Slide Travel	Load Rating/Kg	A	B	C	D	E	F	G	H
12" (300)	300	213	15				156	214			
14" (350)	350	303	20				200	264			
16" (400)	400	404	25	96			256	314	208		
18" (450)	450	455	30	128			294	364	256		
20" (500)	500	505	35	96	160		344	414	304		
22" (550)	550	555	40	96	160		394	464	224	352	
24" (600)	600	605	30	128	192		444	514	224	352	
26" (650)	650	655	30	128	224	416	494	564	224	352	448
28" (700)	700	705	30	128	224	480	544	614	224	352	496

mm

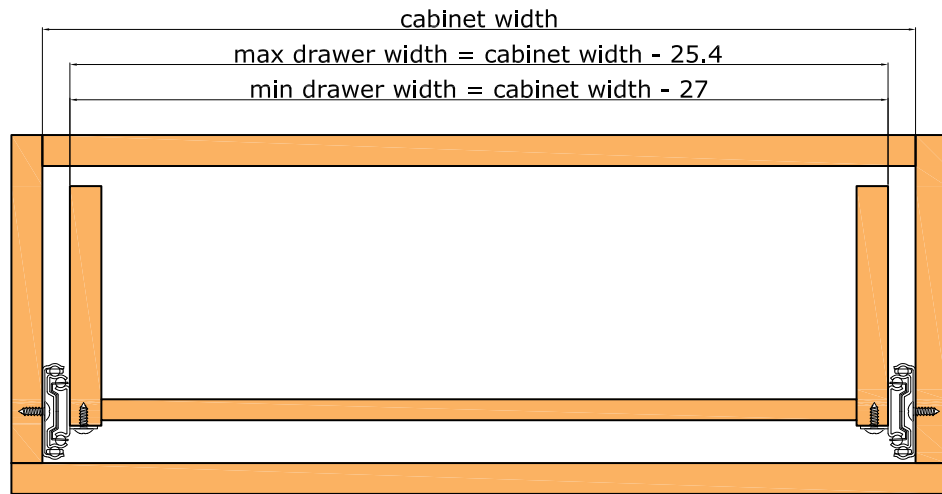
## Soft Close Ball Bearing Drawer Slides



GSlide Soft Close Ball Bearing Slides - Bottom Mount



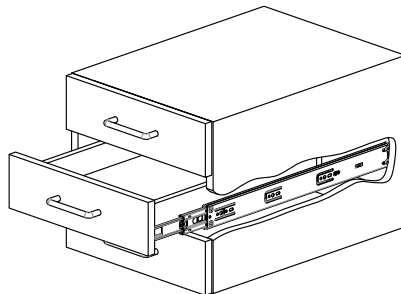
### Drawer Slide Mounting Profile



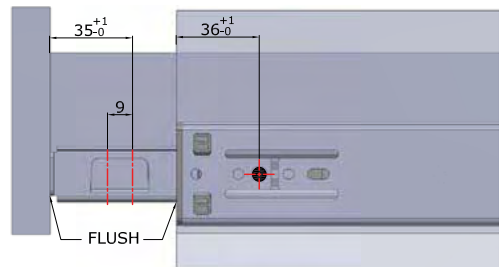
\* max drawer width = slide length + 200 (mm)

### APPLICATIONS:

For use in wood pedestals, dresser, desk, casework, residential and kitchen cabinetry.



### 38mm stroke of Soft-Closing



# DRAWER SLIDES



## Full Extension Ball Bearing Drawer Slides

### Tradecraft Full Extension Ball Bearing Slides - Side Mount

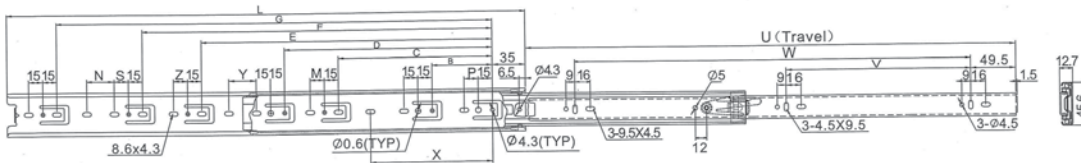


- Load capacity 45kg
- over extension 25.4mm
- side clearance 25.4mm overall
- closure retention - hold in cushion
- disconnect release



CODES	Description	Pack size
545.24525.352	250mm zinc	10 sets
545.24530.352	300mm zinc	10 sets
545.24535.352	350mm zinc	10 sets
545.24540.352	400mm zinc	10 sets
545.24545.352	450mm zinc	10 sets
545.24550.352	500mm zinc	10 sets
545.24555.352	550mm zinc	10 sets
545.24560.352	600mm zinc	10 sets
545.24525.334	250mm black	10 sets
545.24530.334	300mm black	10 sets
545.24535.334	350mm black	10 sets
545.24540.334	400mm black	10 sets
545.24545.334	450mm black	10 sets
545.24550.334	500mm black	10 sets
545.24555.334	550mm black	10 sets
545.24560.334	600mm black	10 sets

### Mounting Positions



Slide Length L	Travel U	B	C	D	E	F	G	X	Y	Z	M	N	S	P	V	W
250	250	-	160	-	-	-	-	-	-	-	15	-	-	15	160	-
300	300	64	224	-	-	-	-	160	-	-	-	-	-	-	96	192
350	350	64	224	-	-	-	-	150	-	-	15	-	-	-	128	256
400	400	64	224	-	288	-	-	150	-	15	-	-	-	-	128	320
450	450	64	224	-	352	-	-	150	-	15	15	-	-	-	160	352
500	500	64	-	224	352	416	-	160	34	-	-	-	-	-	192	416
550	550	64	-	224	352	416	-	160	34	-	-	34	15	-	224	448
600	600	64	-	224	352	480	-	-	-	15	-	-	15	-	224	512

## Full Extension Ball Bearing Drawer Slides

**TRADECRAFT**

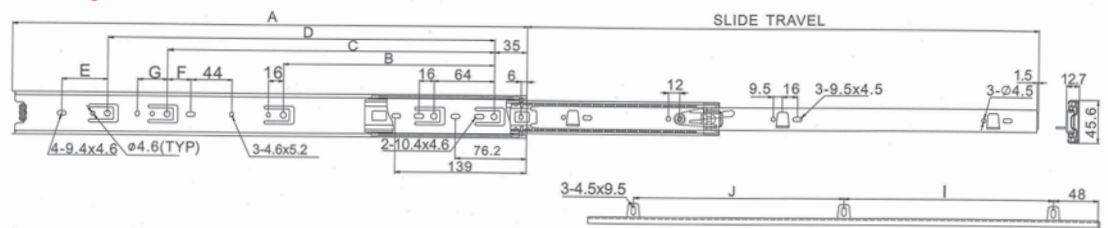
### Tradecraft Full Extension Ball Bearing Slides - Bottom Mount

- load capacity 45kg
- over extension 25.4mm
- side clearance 25.4mm overall
- closure retention - hold in cushion
- disconnect release



CODES	Description	Pack size
547.24525.352	250mm zinc	10 sets
547.24530.352	300mm zinc	10 sets
547.24535.352	350mm zinc	10 sets
547.24540.352	400mm zinc	10 sets
547.24545.352	450mm zinc	10 sets
547.24550.352	500mm zinc	10 sets
547.24555.352	550mm zinc	10 sets
547.24530.334	300mm black	10 sets
547.24535.334	350mm black	10 sets
547.24540.334	400mm black	10 sets
547.24545.334	450mm black	10 sets
547.24550.334	500mm black	10 sets
547.24555.334	550mm black	10 sets

### Mounting Positions



Slide Length A	Slide Travel	B	C	D	E	F	G	I	J
250	250	148	-	-	-	-	-	176	-
300	300	224	-	-	-	-	-	98	128
350	350	224	-	-	50	-	-	128	128
400	400	224	288	-	50	-	-	160	160
450	450	224	352	-	-	25.4	32	160	192
500	500	224	352	416	-	25.4	32	192	224
550	550	224	352	416	50	25.4	32	224	224
600	600	224	352	480	50	25.4	32	256	256
650	650	224	352	544	50	25.4	32	288	288
700	700	224	352	544	50	25.4	32	288	288