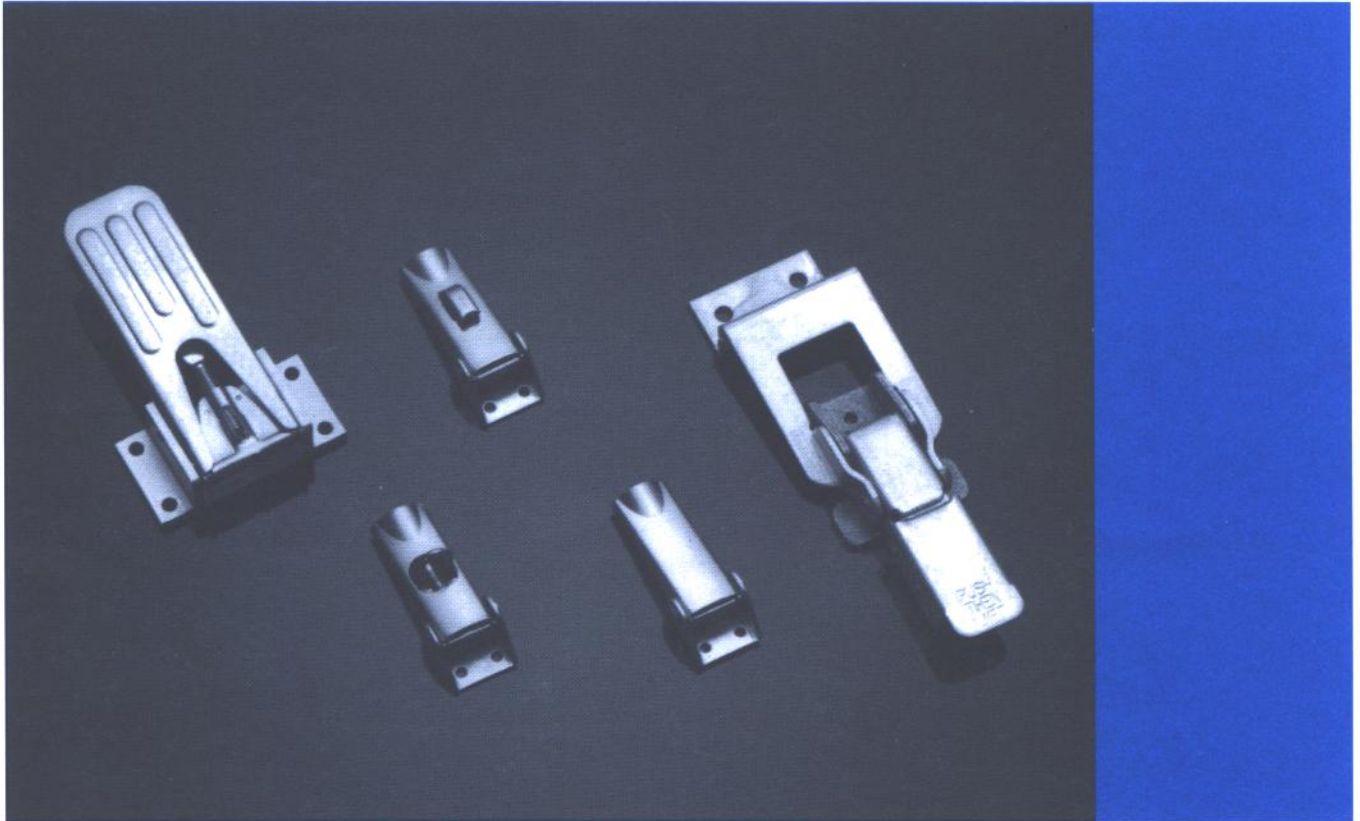


Adjustable Catches



Nielsen/Sessions' adjustable catches include light, medium, and heavy duty versions, all easily field adjustable. A number of configurations are available including those with locking levers to prevent accidental release, and security provisions for padlocks or wire seals. Range of mounting, material, finish options, as well as many MIL- SPEC versions.

1051 SERIES CATCH 1052 SERIES CATCH

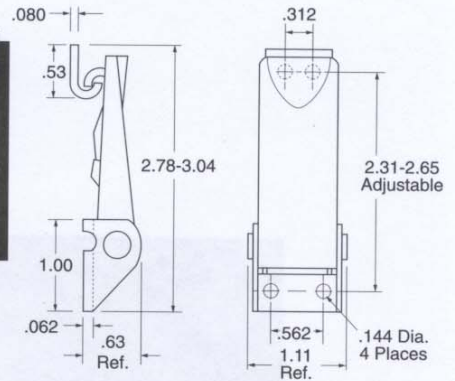
1051 SERIES CATCH

1051 Catches
Strong, Adjustable
compact, stylish.



HC1051 Catch
with HS1051 Strike

PART NUMBER		FINISH	MATERIAL
CATCH	STRIKE		
HC1051SZE	HS1051ZE	ZINC	STEEL
HC1051SS	HS1051SS	NONE	STAINLESS STEEL



**SLEEK DESIGN
RUGGED CONSTRUCTION**

- . Dimensions shown are as mounted.
- . To adjust tension, turn threaded claw.
- . Ship wt/100: 12.5 lb.

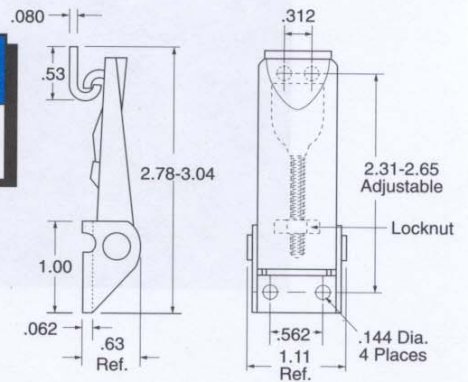
1052 SERIES CATCH

1052 Catches
Same as the 1051
series but uses
tamper proof locknut
for adjustment.
Requires wrench
to adjust.



HC1052 Catch
with HS1051 Strike

PART NUMBER		FINISH	MATERIAL
CATCH	STRIKE		
HC1052SZE	HS1051ZE	ZINC	STEEL



**LOCKNUT REQUIRES WRENCH
FOR TENSION ADJUSTMENT**

- . Dimensions shown are as mounted.
- . To adjust tension, turn locknut.
- . Ship wt/100: 12.5 lb.

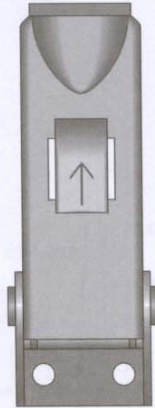
**Nielsen
Sessions**

770 Wethersfield Avenue, P.O. Box 568, Hartford, CT 06141-0568 USA
(800) 291-3737 (860) 522-8145 Fax: (860) 525-0180
Email: sales@eng-prod.com www.casehardware.com

1051LA SERIES CATCH 1052LA SERIES CATCH 1051-06 SERIES CATCH

1051LA SERIES CATCH

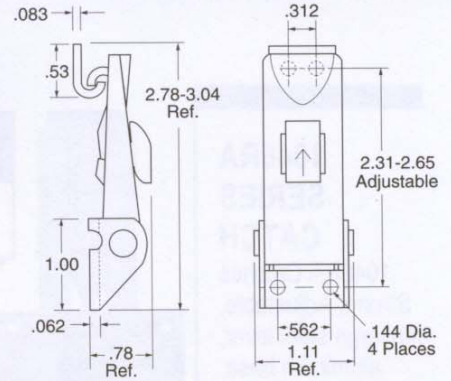
1051LA Catches Same as the 1051 series but with release button to avoid accidental opening.



HC1051LA Catch with HS1051 Strike

PART NUMBER			
CATCH	STRIKE	FINISH	MATERIAL
HC1051LASZE	HS1051ZE	ZINC	STEEL

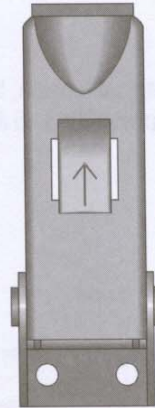
SECONDARY LOCK PREVENTS ACCIDENTAL OPENING



- . Dimensions shown are as mounted.
- . To adjust tension, turn claw.
- . Ship wt/100: 12.5 lb.

1052LA SERIES CATCH

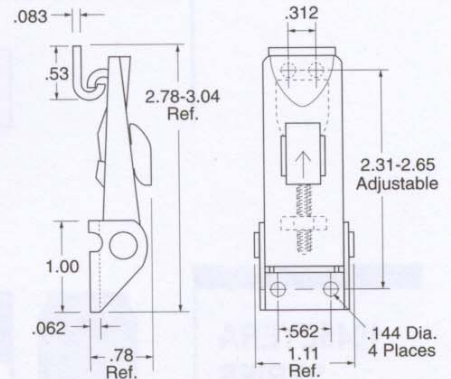
1052LA Catches Same as the 1052 series but with release button to avoid accidental opening.



HC1052LA Catch with HS1051 Strike

PART NUMBER			
CATCH	STRIKE	FINISH	MATERIAL
HC1052LASZE	HS1051ZE	ZINC	STEEL

FEATURES SECONDARY LOCK AND LOCKNUT



- . Dimensions shown are as mounted.
- . To adjust tension, turn claw.
- . Ship wt/100: 12.5 lb.

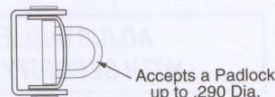
1051-06 SERIES CATCH

1051-06 Catches Strong, adjustable with padlock eye.

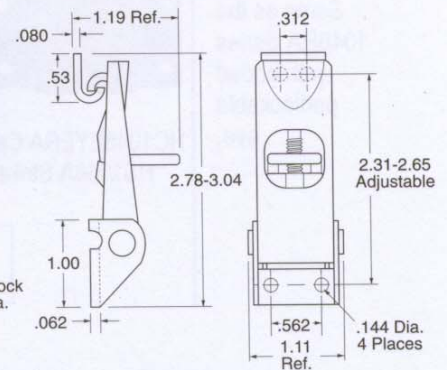


HC1051-06 Catch with HS1051 Strike

PART NUMBER			
CATCH	STRIKE	FINISH	MATERIAL
HC1051-06SS	HS1051SS	NONE	STAINLESS STEEL



SLEEK DESIGN WITH PADLOCKABLE EYE



- . Dimensions shown are as mounted.
- . For increased tension, turn threaded claw.
- . Ship wt/100: 12.5 lb.

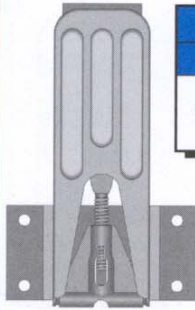
Nielsen Sessions

770 Wethersfield Avenue, P.O. Box 568, Hartford, CT 06141-0568 USA
(800) 291-3737 (860) 522-8145 Fax: (860) 525-0180
Email: sales@eng-prod.com www.casehardware.com

1046RA SERIES CATCH 1046EYE SERIES CATCH

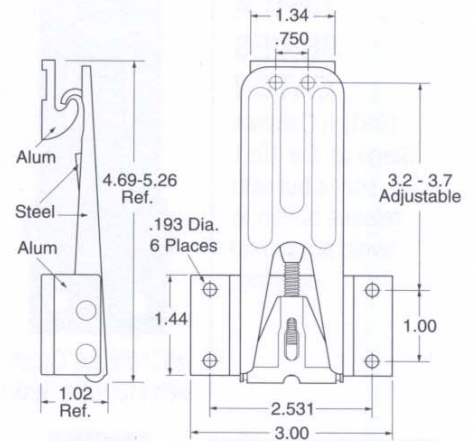
1046RA SERIES CATCH

1046RA Catches
Strong, Adjustable,
with large steel lever,
aluminum base.



HC1046RA Catch
with HS1046A Strike

PART NUMBER			
CATCH	STRIKE	FINISH	MATERIAL
HC1046RAZE	HS1046A	ZINC ON STEEL PARTS NO FINISH ON ALUM. PARTS	(SEE DRAWING)

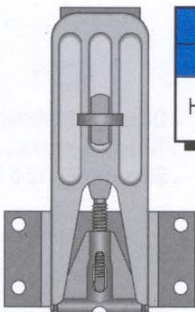


**MEDIUM DUTY CATCH
WITH 1/2" OF ADJUSTMENT**

- . To adjust tension, turn claw.
- . Ship wt/100: 34.5 lb.

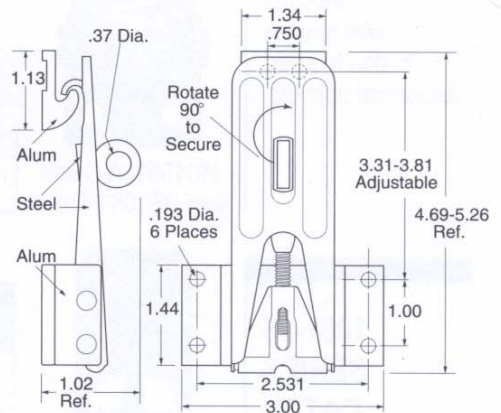
1046EYERA SERIES CATCH

1046EYERA
Catches
Same as the
1046RA Series
with added
padlockable
eye.



HC1046EYERA Catch
HS1046A Strike

PART NUMBER			
CATCH	STRIKE	FINISH	MATERIAL
HC1046EYERAZE	HS1046A	ZINC ON STEEL PARTS NO FINISH ON ALUM. PARTS	(SEE DRAWING)



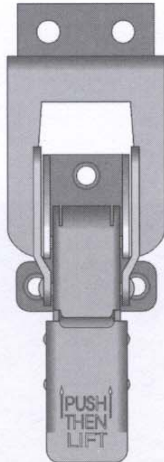
**ADJUSTABLE CATCH
WITH SECURITY FEATURE**

- . To adjust tension, turn claw.
- . Ship wt/100: 34.5 lb. steel.

250-35 SERIES CATCH

250-35 SERIES CATCH

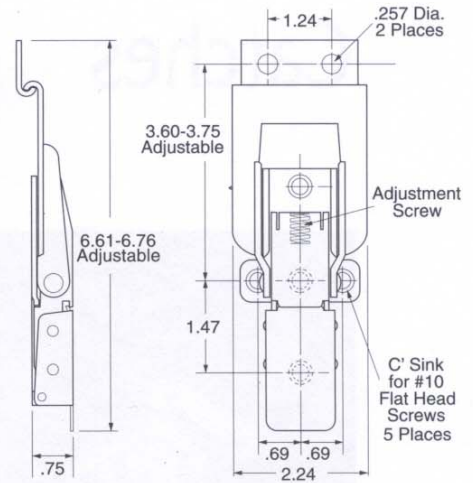
VHC250 Catches Strong, Adjustable, with secondary latching lever for secure applications. Has hooked claw.



250-35 Catch
HS250-39 Strike

PART NUMBER			
CATCH	STRIKE	FINISH	MATERIAL
VHC250-35SCE	HS250-39SCE	CADMIUM	STEEL

**TO ADJUST TENSION,
TURN ADJUSTMENT SCREW**



. Ship wt/100: 85 lb.



Nielsen Sessions

770 Wethersfield Avenue, P.O. Box 568, Hartford, CT 06141-0568 USA
(800) 291-3737 (860) 522-8145 Fax: (860) 525-0180
Email: sales@eng-prod.com www.casehardware.com