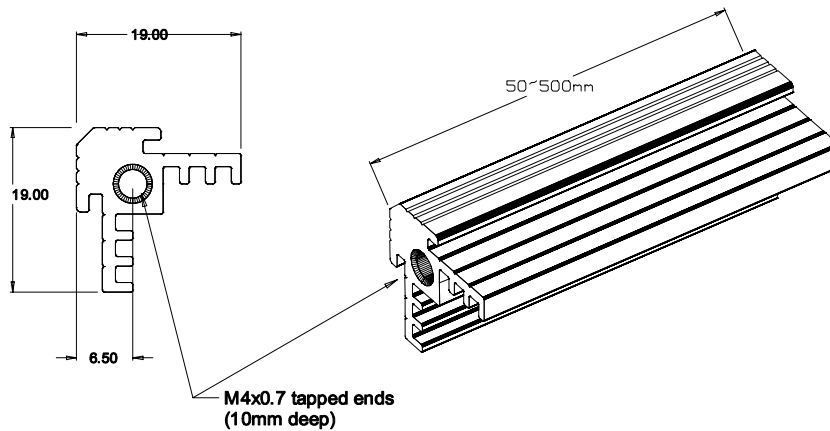


## Corner Bar - Type CB19



For arrangement details see drawing on reverse of this data sheet.

### INTRODUCTION :

This Extruded Aluminum **Corner BAR** has been designed to provide an easy and **VERSATILE** system for the production of **CUSTOM** enclosures for Electronic Equipments with PCBs, sub-assemblies etc, where an elegant, durable box is required.

Front & Rear Panels in Aluminum or Mild Steel can be easily manufactured and many STOCK sizes are available ready for custom punching to accomodate, Mains Cables, Fuse Holders, and wide range of other electrical and electronic components.

**CASA's Design Philosophy:** Compatability, Adaptability, Simplicity and Acceptability achieves sound Engineering, Cost Economy and Aesthetics.

### FEATURES:

- 1) Will accept **PCB** (DIP board or your own PCB etc.) or Screening panels in **3 Vertical + 3 Horizontal** slot positions.
- 2) **Standard** Panels will accept many **Common Electronic & Electrical Components** & connectors etc.
- 3) **Modular** Design permits standard & **SPECIAL** Widths, Lengths, Finishes and variants to be produced economically.
- 4) **Simple** fixing of Front & Rear Panels (M4 Thread Rolling Screws) captivate side + top/bottom panels (if they not glued etc).
- 5) **SLIDE** fitting Side & Top/Bottom Panels of rectangular **FLAT** sheets of Mild Steel, Aluminum, Plastic etc. 1.2-1.6mm thick
- 6) **Heatsinks** and thicker panels etc can be fitted into the external & internal slots subject to appropriate engineering/design.
- 7) **Custom** design can be undertaken for special requirements, which may include trimming of the basic extrusion to accomodate an extensive array of design options. Please enquire giving details of desired features and facilities.

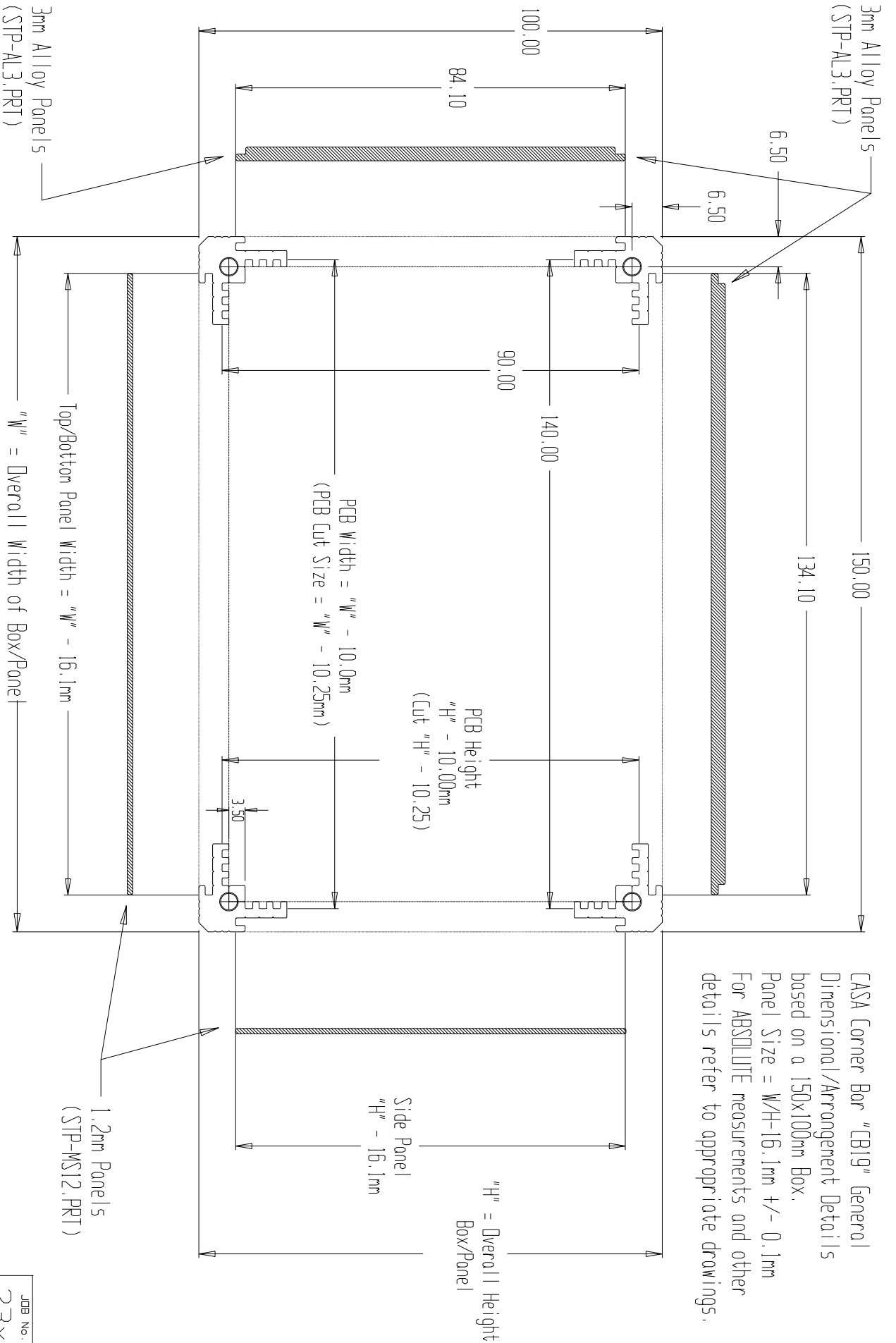
### Specification Details:-

➔	<b>Standard Pre-cut Sizes:</b>	<b>50, 100, 150mm</b> ----- <b>200, 250, 300mm</b> ----- <b>350, 400, 500mm</b>
	<b>Bulk Standard Lengths:</b>	<b>1000, 2000 &amp; 3600 mm</b>
➔	<b>Special Lengths to order:</b>	<b>50-3600mm</b>
➔	<b>Cutting Tolerance:</b>	<b>+/- 0.1mm</b> (to 500mm)
➔	<b>Finishes:</b>	<b>Natural or Painted or</b> ----- <b>Anodized 12/15 microns</b>
	(full deburring of all sawn, drilled, punched and tapped holes & edges is standard)	
➔	<b>Weight:</b>	<b>0.35Kg per metre</b>
➔	<b>Material:</b> (Extruded Aluminum Alloy to BS-1474)	<b>AA6063-T5</b>

### Part Number:- CB19-xxx-LH/RH-F(special adder/suffix)

Please compose a Part Number according to this system and use on your official order.

<b>CB19-</b>	CASA's Prefix to indicate "19mm CORNER BAR"
<b>xxx-</b>	LENGTH in "mm"
<b>LH/RH</b>	LH = Left Hand TOP, RH = Right Hand TOP when alymetrical pairs are required
<b>F-</b>	The FINISH applied (NA = Natural, AN = Mat Anodized, P = Paint etc.)
<b>(-----)</b>	Special adder or suffix gives detail of CUSTOM detail or Drawing No. etc.



CASA Corner Bar "CB19" General Dimensional/Arrangement Details based on a 150x100mm Box. Panel Size = W/H-16.1mm +/- 0.1mm For ABSOLUTE measurements and other details refer to appropriate drawings.

Modular Systems P.O. BOX 38-828, WELLINGTON, NEW ZEALAND TELEPHONE : (64-4) 5887 277 FACSIMILE : (64-4) 5887 161		CUSTOMER : CASA Modular Systems DESCRIPTION : ARRANGEMENT for CB19 DRAWN : A.W.D DATE : 07/05/95 APPROVED : DWG. SCALE : 1:1		SIZE : A3 DRAWING Reference No. : CB19-STP ISSUE : A	
JOB No. 23XX			COPYRIGHT : CASA Modular Systems ALL RIGHTS RESERVED		