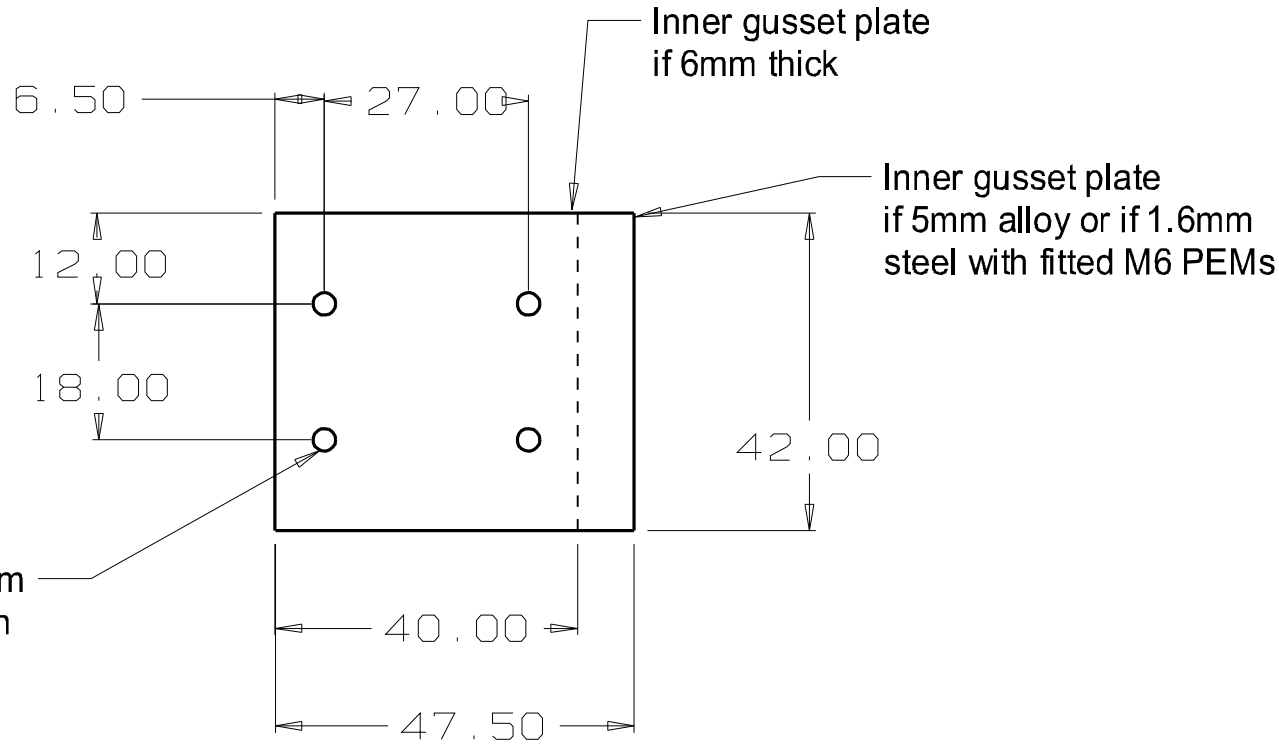


CASA Type Numbers (typical)

PLT-42x40-RACK-AL5NA (5mm alloy natural)

PLT-42x48-RACK-AL5AN (5mm anodised)

PLT-42x40-M6-Rack-AL6 (tappen M6 in 6mm alloy, natural)



4 holes drilled 5.0mm
& tap M6x1mm pitch
(or fit M6 PEMS if
using 1.6mm steel)

MATERIAL Extrusion No.100x5mm
ALLOY 6063-T5
EST. AREA 265 mm
EST. WEIGHT 2.80 kg/m
EST. PERIPHERY EXT: 354 mm TOT: 354 mm
TOLERANCE 0.00mm ±0.1mm 00.0mm ±0.25mm 0000mm ±0.5mm 0-600mm ±0.1mm > 600mm ±0.5mm
BS1474:1987 APPLIES UNLESS OTHERWISE SPECIFIED
JOB No. 3000

	CUSTOMER : CASA Modular Systems		SIZE	DRAWING Reference No.	ISSUE
	DESCRIPTION : Gusset Side-Plate for LW Rack Angle		A4	PLT-100x85-RACK	A
66 Fitzherbert St, Petone, NEW ZEALAND TELEPHONE : (64-4) 9393 777 FACSIMILE : (64-4) on request only	DRAWN : A.W.D	DATE : 24/10/16	APPROVED : ?	DWG. SCALE : 1:1	© COPYRIGHT : CASA Modular Systems ALL RIGHTS RESERVED