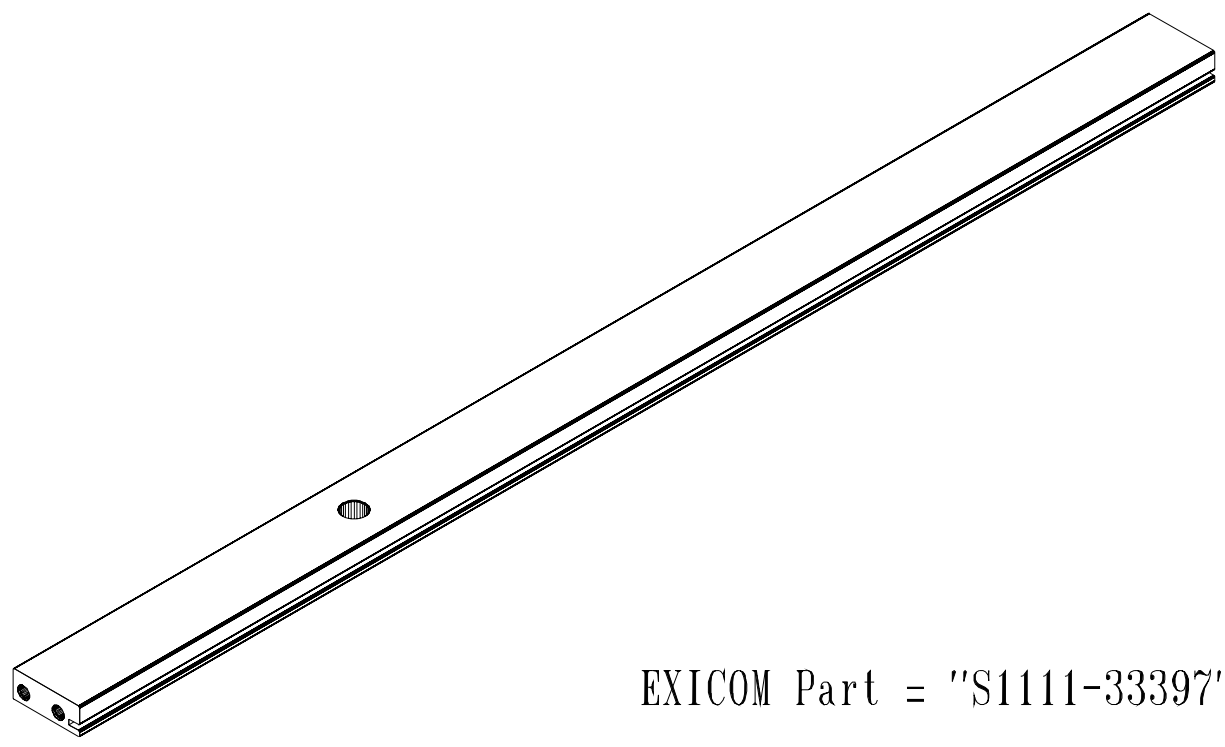


Drill 3.7dia
and Tap M4x0.7
10mm deep



EXICOM Part = "S1111-33397"

MATERIAL
Extrusion
No.2566

ALLOY
6063-T5

EST. AREA
265 mm

EST. WEIGHT
2.80 kg/m

EST. PERIPHERY
EXT: 354 mm
TOT: 354 mm

TOLERANCE
0-00mm ±0.1mm
00-0mm ±0.25mm
0000mm ±0.5mm
0-600mm ±0.1mm
> 600mm ±0.5mm

BS1474:1987
APPLIES UNLESS
OTHERWISE
SPECIFIED

JOB No.
3037

CASA Modular Systems

P.O. BOX 38-828, WELLINGTON, NEW ZEALAND
TELEPHONE : (64-4) 5687 277
FACSIMILE : (64-4) 5685 161

CUSTOMER : EXICOM Technologies

DESCRIPTION : BAR Corner 25mm x 10mm

DRAWN : A.W.D

DATE : 05/05/97

APPROVED : ?

DWG. SCALE : 1:1

SIZE A4 DRAWING Reference No. EXI-2578

ISSUE A

© COPYRIGHT : CASA Modular Systems
ALL RIGHTS RESERVED