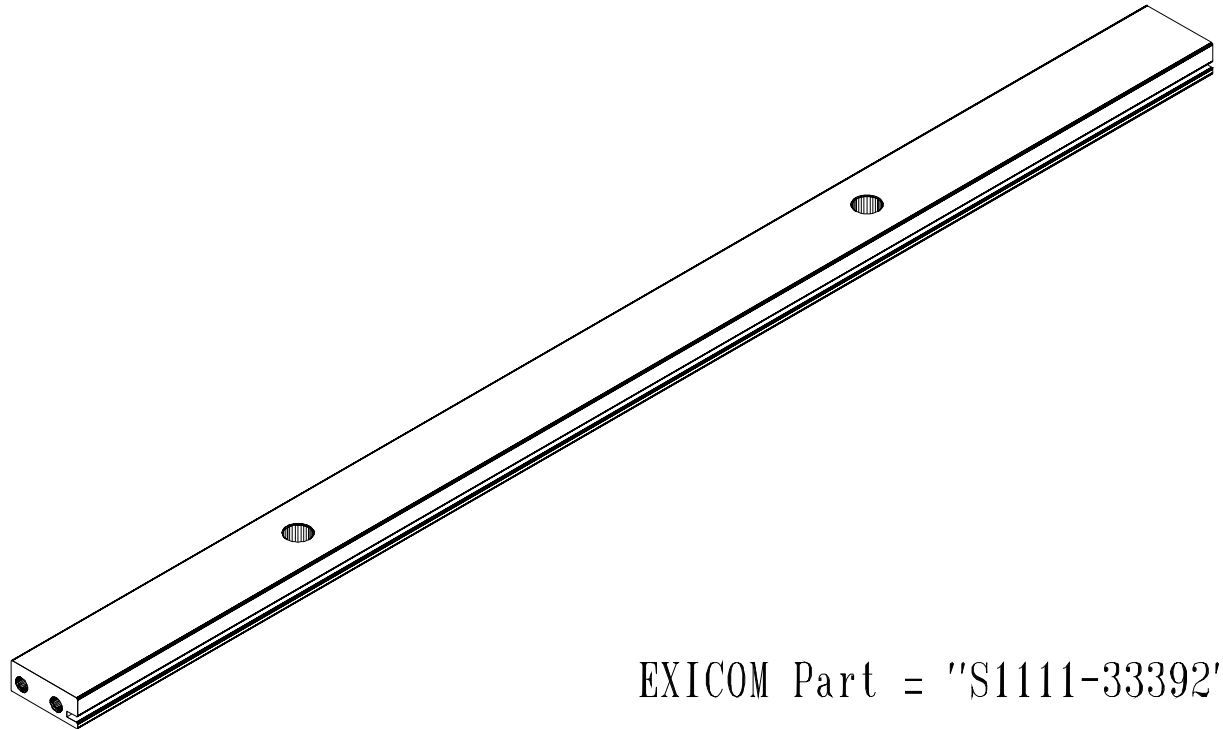


Drill 3.7dia  
and Tap M4x0.7  
10mm deep



EXICOM Part = "S1111-33392"

MATERIAL  
Extrusion  
No.2586

ALLOY  
6063-T5

EST. AREA  
265 mm


EST. WEIGHT  
2.80 kg/m

EST. PERIPHERY  
EXT: 354 mm  
TOT: 354 mm

TOLERANCE  
0-100mm  $\pm 0.1mm$   
100-250mm  $\pm 0.25mm$   
250-500mm  $\pm 0.5mm$   
500-600mm  $\pm 0.1mm$   
> 600mm  $\pm 0.5mm$

BS1474:1987  
APPLIES UNLESS  
OTHERWISE  
SPECIFIED

JOB No.  
3037

 Modular Systems P.O. BOX 38-828, WELLINGTON, NEW ZEALAND TELEPHONE : (64-4) 5687 277 FACSIMILE : (64-4) 5685 161	CUSTOMER : EXICOM Technologies		SIZE	DRAWING Reference No.		ISSUE
	DESCRIPTION : BAR Corner 25mm x 10mm		A4	EXI-2584		A
	DRAWN : A.W.D	DATE : 05/05/97	APPROVED : ?	DWG. SCALE : 1:1	© COPYRIGHT : CASA Modular Systems ALL RIGHTS RESERVED	