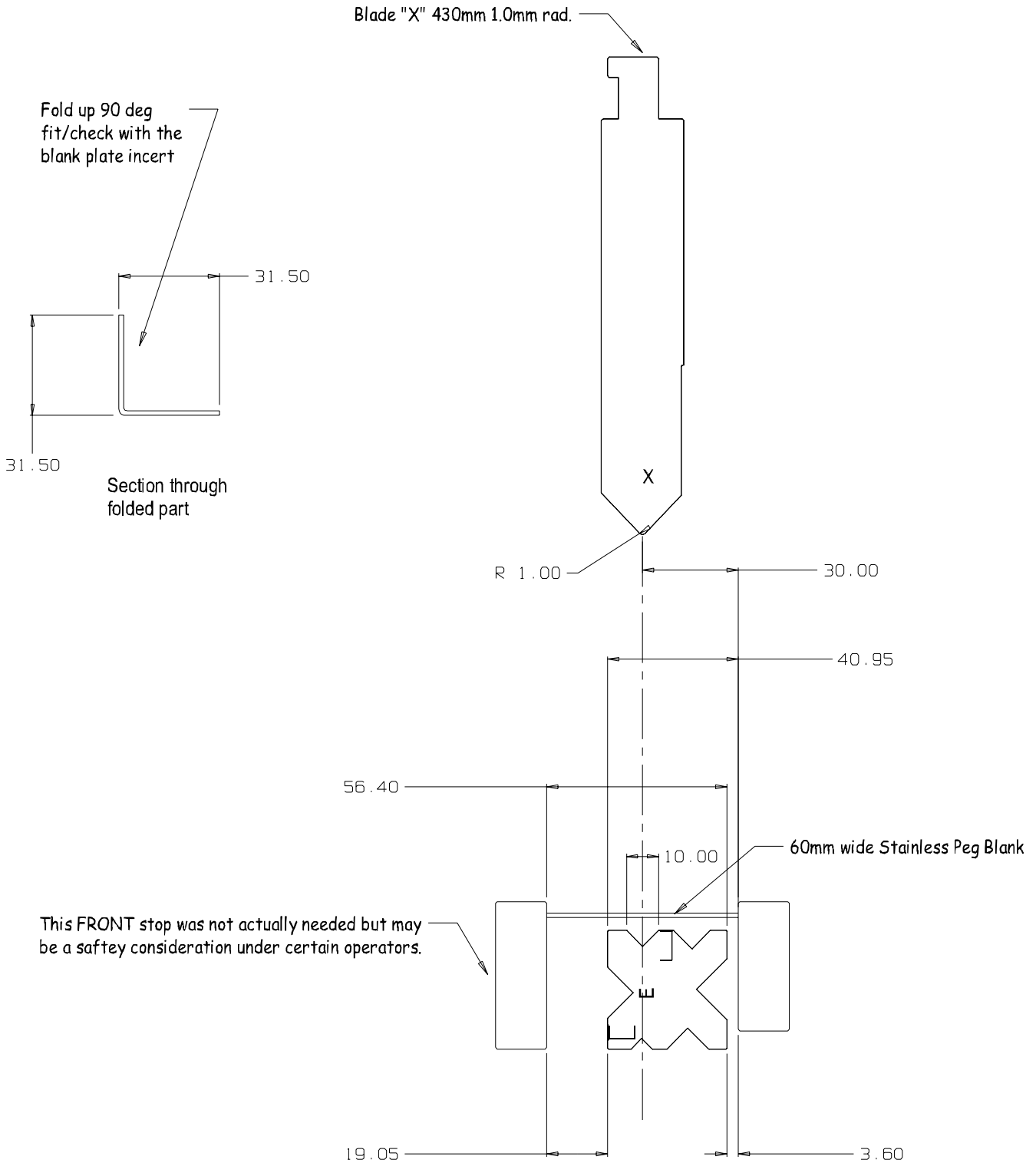


NOTE - This drawing references with CASA
 Part Number = PLT-300X60-SS16(MAS)
 Drawing = MAS-PEG.PRT



JOB No.
3150



Modular Systems

CUSTOMER : **Marine Air Systems Limited**

SIZE DRAWING Reference No. ISSUE

DESCRIPTION : **Folding Instructions for Pegs**

A4 PEG-FOLD B

P.O. BOX 38-828, WELLINGTON, NEW ZEALAND
 TELEPHONE : (64-4) 5687 277
 FACSIMILE : (64-4) 5685 161
 E-MAIL : sales@casa.co.nz

DRAWN : **AWD** DATE : **11/02/04** APPROVED : **?** DWG. SCALE : **1:1**

© COPYRIGHT : CASA Modular Systems
 ALL RIGHTS RESERVED