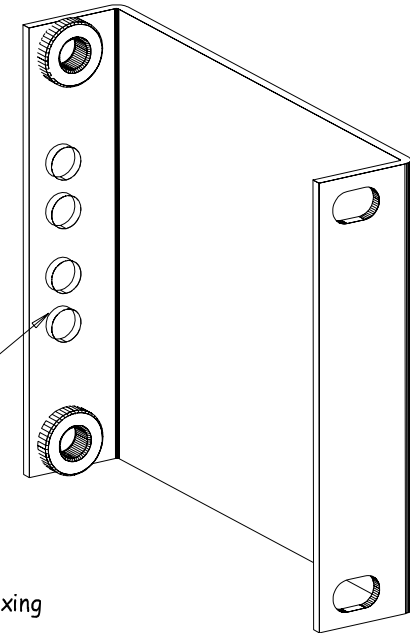
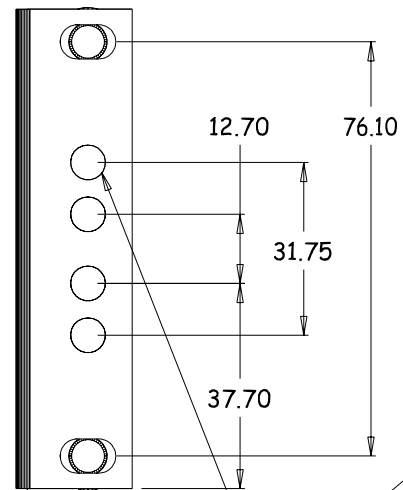
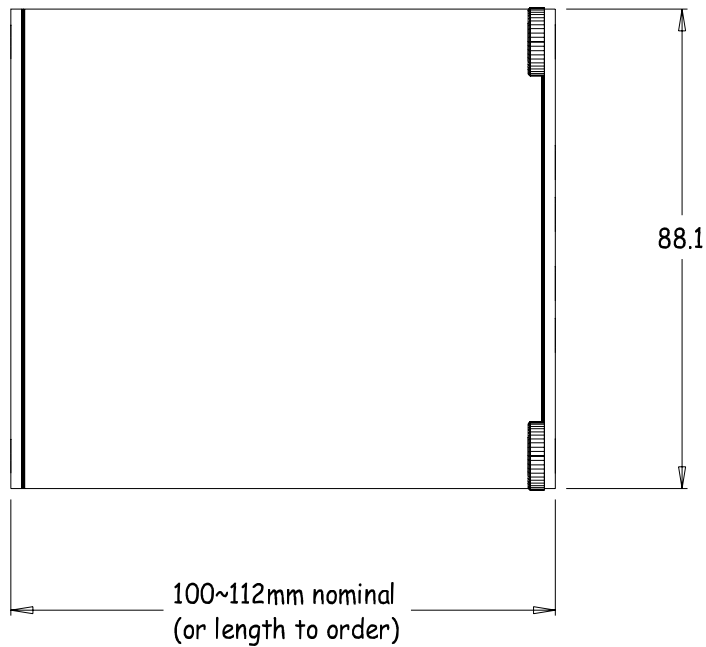
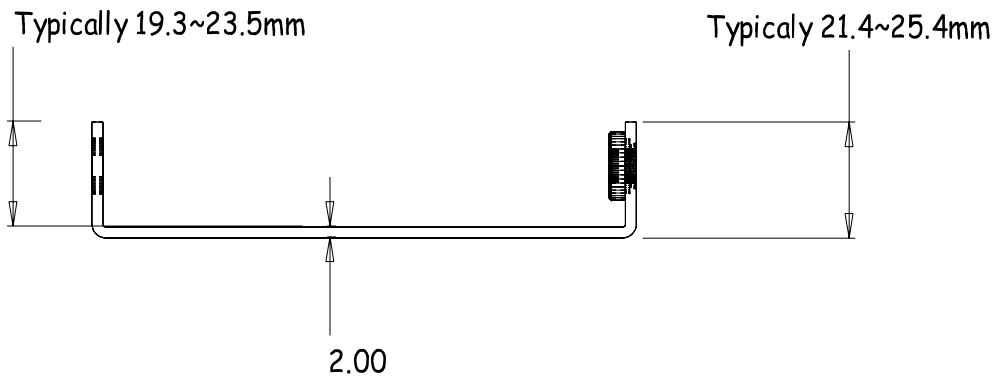


CASA Type: RBE-2Ux100-MS20(fin)

Insert code to represent optional rear fixing holes or PEM fasteners.



Optional sub-rack rear fixing holes options include:
 10.5 x 6.5mm std. Rack obround
 5.0mm hole + FH-M5x10/12/15/20 PEM
 5.4mm clearance hole or S-M4-2 PEM nut
 6.0mm hole + FH-M6x10/12/15/20 PEM
 6.4mm for M5 PEM nut S-M5-2ZI
 8.75mm for M6 PEM nut S-M6-1Z



MATERIAL	Bright Steel
	2mm thick
ALLOY	Cold Rolled
EST. AREA	265 mm ²
EST. WEIGHT	12x kg
EST. PERIPHERY	
EXT : XX	mm
TOT : XX	mm
TOLERANCE	
	0-100mm ±0.1mm
	100-250mm ±0.25mm
	250-500mm ±0.5mm
	500-600mm ±0.1mm
	> 600mm ±0.5mm
	BS1474:1987
	APPLIES UNLESS OTHERWISE SPECIFIED
JOB No.	2902

Modular Systems P. O. BOX 38-828, WELLINGTON, NEW ZEALAND TELEPHONE : (64-4) 9393 777 FACSIMILE : (64-4) 9393 778	CUSTOMER :	CASA Modular Systems Ltd	SIZE	DRAWING Reference No.	ISSUE
	DESCRIPTION :	Rack RECESS - EXTENSION Bracket - 2 Unit	A3	RBE-2Ux100	A
DRAWN :	DATE :	APPROVED :	DWG. SCALE :	COPYRIGHT : CASA Modular Systems	
AWD	08/09/09	?	1:1	1996 ALL RIGHTS RESERVED	