

CASA Part Number:

CON-14Ux609-MDF18....

Typical 10/14U ADD-ON Rack Box - 650mm mini-console style

Notes:

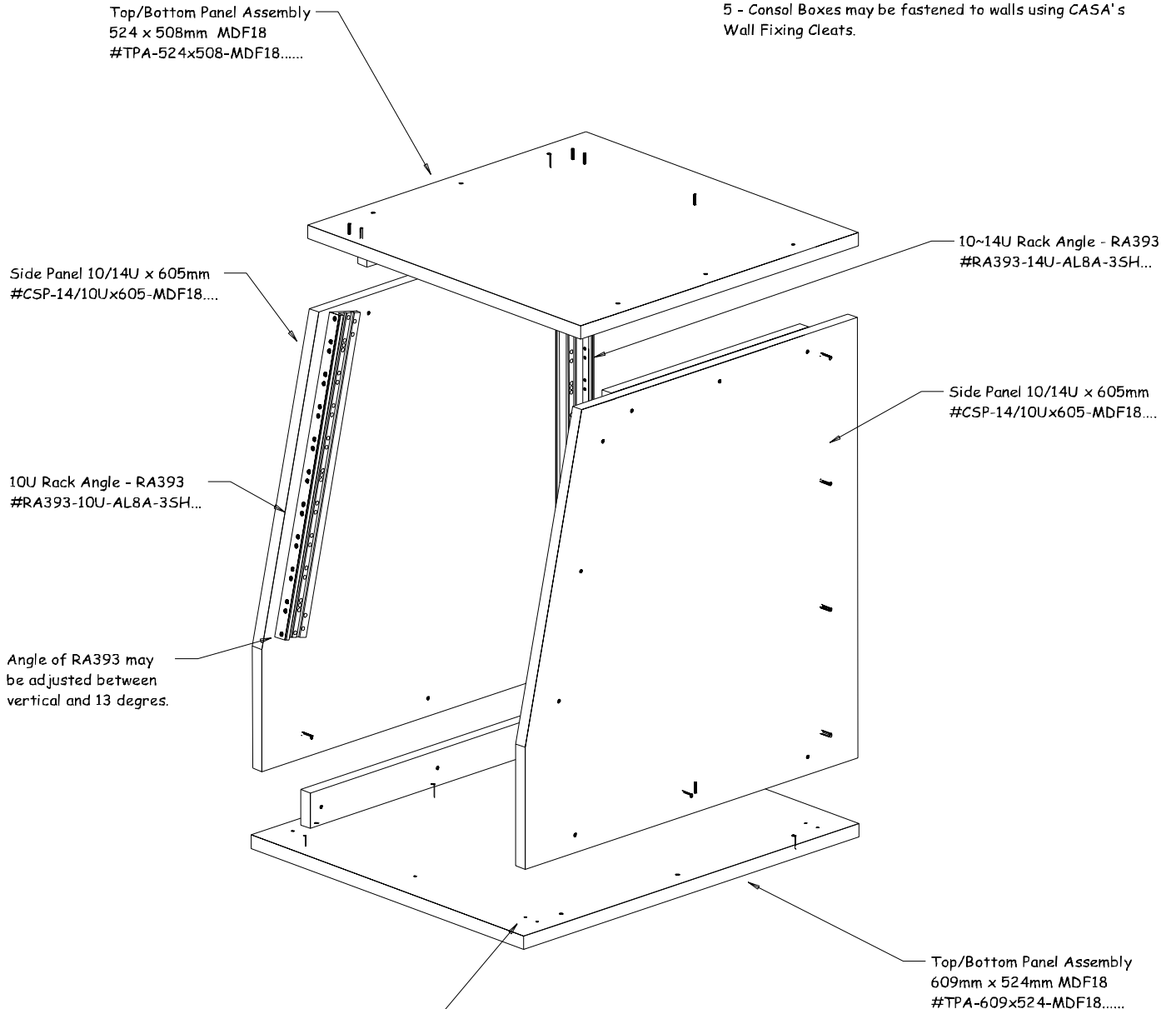
1 - Base of box is the same as TOP of 750mm console and may be integrated subject to retrofitting 2 additional cleats on the upper surface of the panel (fixing and finishing will require factory processing).

2 - Top of box may be the same part as TOP of 650mm console OR a 650mm deep Cabinet Rack.

3 - RA393 angles may be fitted front and/or rear using the pre-drilled fixing holes (open out to suit the fasteners used)

4 - Consol Boxes may be supplied as a FREE-STANDING mini-rack console.

5 - Consol Boxes may be fastened to walls using CASA's Wall Fixing Cleats.



Appropriate Fixing to Rack or  
Consol or desk may be done using  
TwinFast #8 x 1-1/4" (32mm) screws  
or M5x32mm Socket screws and "T-nuts"  
through the 4~6 pilot holes (3mm dia)  
along the front and back edges.