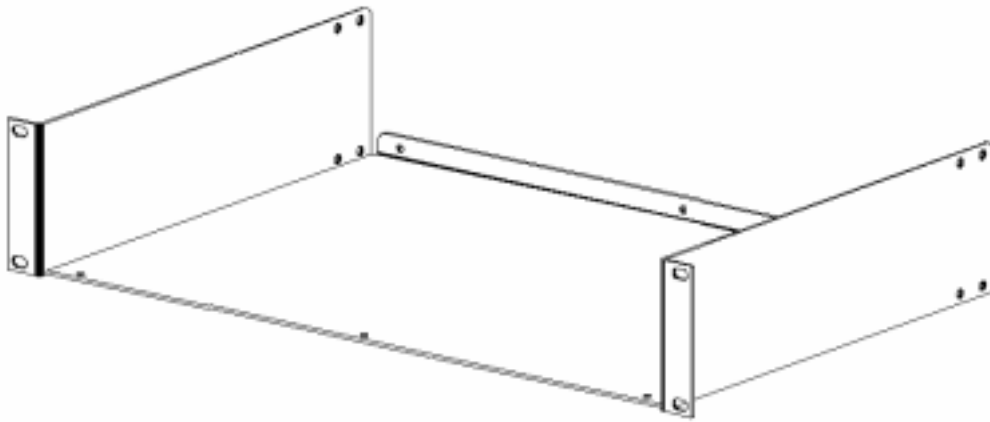


## SHELVES for 19" RACKS



Graphix File Name: D:\HJAAK95\BMP\RS2UFISO.BMP

This SHELF has been designed to provide 19" Rack mounting/fixing for FREE STANDING equipments such that many non-standard products can be installed in Standard 19" Equipment Racks. Typical equipment include Audio, Video, Industrial, Telecommunications, Data Systems, Modems, Batteries and other Electronic Apparatus not exceeding 437mm (17.2") wide.

### Features Include:

- 1) **Standard UNIT heights (44.45mm 1.75") from 2-4 units @ 200, 300 or 400mm deep** (other sizes 350, 450 etc. to order)
  - 2) Folds at rear and/or front can be applied as "**Fold-Up**" and/or "**Fold Down**" to give added stiffness and strength to shelves.
  - 3) **Simple Basic** design permits standard & SPECIAL lengths and variants to be produced economically even in small quantities with features including punchings for ventilation and retrofittable / rear fixing for larger or heavier equipment.
  - 4) **Custom** design can be undertaken for special requirements. Please enquire giving details of desired/required features, facilities, and quantities etc.(a sketch or drawing will be appreciated). Many variations can be processed from "**blanked**" stock.
- CASA's Design Philosophy:** Compatibility, Adaptability, Symplcity and Acceptability achieves sound Engineering, Cost Economy and Aesthetics. NOTE - See reverse of this Data Sheet, or seperate drawings, for basic dimentional information.

### Specification Details:-

➔ Preferred / Standard Sizes:	2 Unit (88.1mm) Stock 3 Units (132.5mm) Stock 4 Units (177mm) Stock
➔ Special Heights & Depths to order: (minimum quantity may apply) Cutting & Nominal Dimensional Tolerance:	1-10 Units (1U=44.45mm) +/- 0.25mm (to 500mm) Powder Coat, Zinc Plated or Anodized (if Aluminum)
➔ Finishes: (full deburring of all cut, drilled, punched and tapped holes & edges is standard)	2 Unit = 3Kg (approx)
➔ Weight: (typical/nominal weights for 300mm deep using 2mm Mild Steel)	3 Unit = 3.5Kg (approx) 4 Unit = 4Kg (approx) (depends upon depth etc.)
➔ Material:	Mild Steel (or Aluminum)

### Part Number:- RS-xUxYYYzz-MAT-F(adder/suffix)

Please compose a Part Number according to this system and use on your official order.

- RS** - Prefix to indicate "RACK SHELF".
- xU** - HEIGHT in RACK Units (1U = 44.45mm, multiples of 44.45millimeters as above).
- YYY** - Depth behind mounting face in "mm" (200, 300, 400 others made to order)
- zz** - Fold designations (F = Rear Fold UP, FF = Front & Rear Folded UP etc.)
- MAT** - Material used (MS20 = Mild Steel 2mm, AL20 = Aluminum 2mm)
- F** - Finish applied to the base material (GGP = Ghost Gray Polyester powder coated)
- (XXX)** Special Suffix to indicate CUSTOM features or other variants etc