

Options

Plug cord

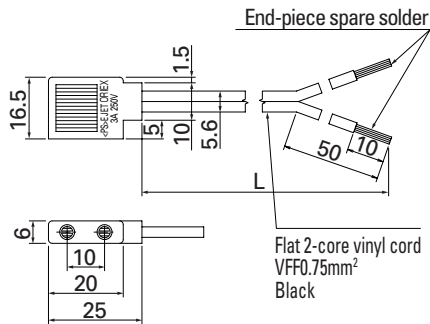
POWER CORD LENGTH

Model	Power cord length
-L10	1000mm
-L21	2100mm
-L35	3500mm

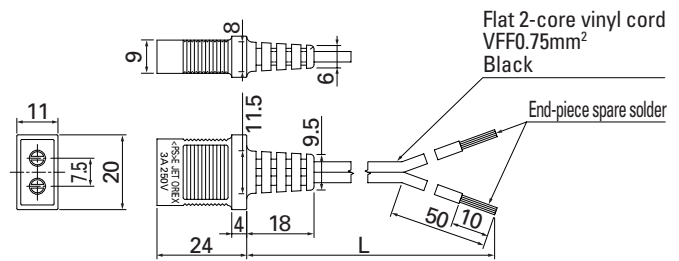
Dimensions (unit : mm)

PRODUCTS COMPLIANT WITH ELECTRICAL APPLIANCE AND MATERIAL SAFETY LAW

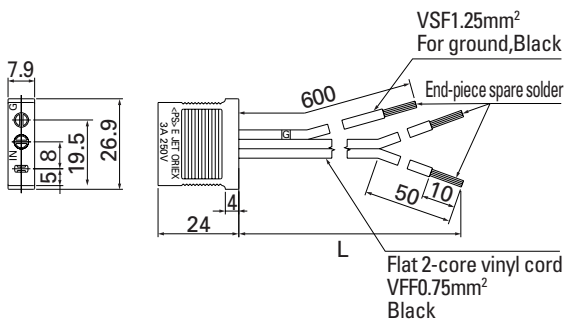
● Model No. : 489-008-L10/489-008-L21/489-008-L35
Compatible : 80mm×80mm×42mm



● Model No. : 489-016-L10/489-016-L21
Compatible : 120mm×120mm×25mm
92mm×92mm×25mm
80mm×80mm×25mm
80mm×80mm×38mm



● Model No. : 489-006-L10/489-006-L21
Compatible : 120mm×120mm×38mm

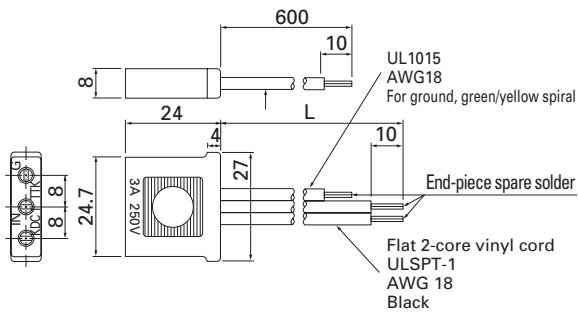


Dimensions (unit : mm)

PRODUCTS CERTIFIED TO UL/CSA STANDARD

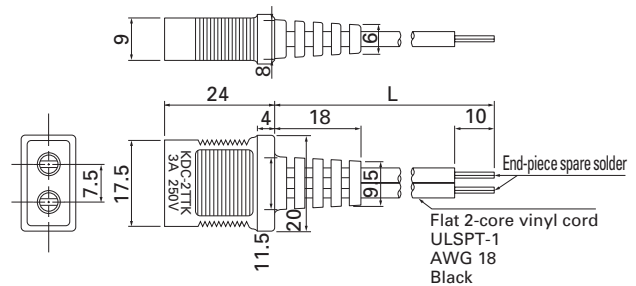
● Model No. : 489-007-L10/489-007-L21

UL FILE No.E50197 CSA FILE No.LR67048
Compatible : 120mm×120mm×38mm



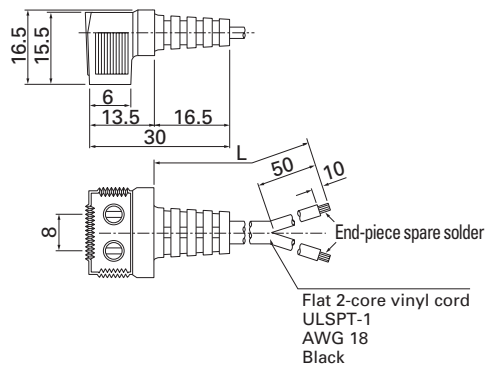
● Model No. : 489-047-L10/489-047-L21

UL FILE No.E50197 CSA FILE No.LR67048
Compatible : 120mm×120mm×25mm
92mm×92mm×25mm
80mm×80mm×25mm
80mm×80mm×38mm



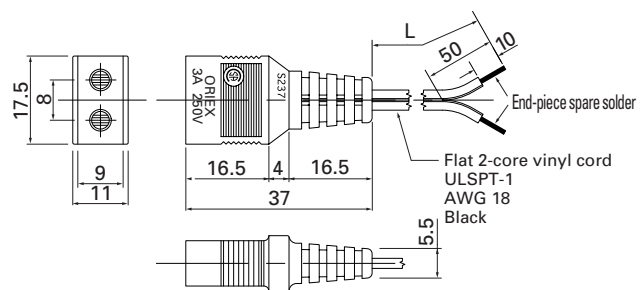
● Model No. : 489-084-L10/489-084-L21

UL FILE No.E50197 CSA FILE No.LR67048
L-shaped
Compatible : ϕ 172mm×51mm
160mm×160mm×51mm



● Model No. : 489-086-L10/489-086-L21

UL FILE No.E50197 CSA FILE No.LR67048
straight
Compatible : ϕ 172mm×51mm
160mm×160mm×51mm



Option

Plug cord

Notice

- The products shown in the catalog are subject to Japanese Export Control Law. Diversion contrary to the law of exporting country is prohibited.
- To protect against electrolytic cooling corrosion that may occur in locations of strong electromagnetic noise, we provide fans that are unaffected by electrolytic corrosion. Alternative measures to protect against electrolytic corrosion may include metallic finger guards or other metallic attachments. Please contact us for details.

SANYO DENKI