

AC Fan Motors

Dyna Ace $\phi 172\text{mm}$

Dyna Ace

High-air-flowrate, high-static-pressure type and best suited for industrial equipment and computer peripherals

General specifications

- Motor constructionCapacitor motor
 - Motor protection systemThermal protection
 - Dielectric strength50/60 Hz, 1500 VAC, 1 minute
(between input terminal and frame)
 - Operating voltage range+10%
 - Plug cordFor UL/CSA 489-084 (L10, L21)
489-086 (L10, L21)
- ※For the power cord, see page 113.

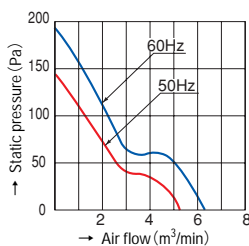


51 mm thick (Round type)

Specifications (Operating thermally range -30°C to $+60^{\circ}\text{C}$)

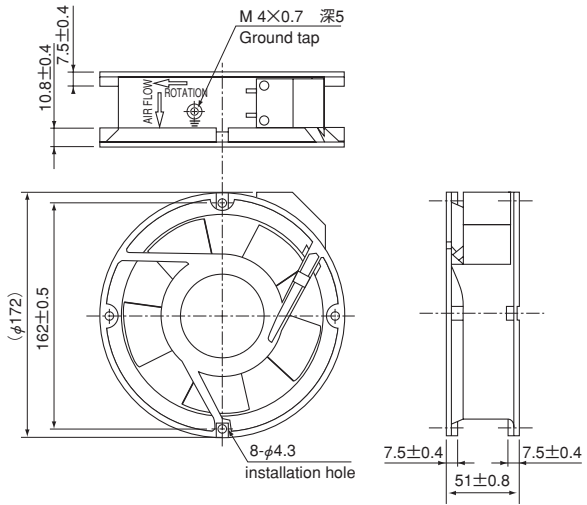
Model	Voltage (V)	Frequency (Hz)	Input (W)	Current (A)	Bound current (A)	Rotating speed (min^{-1})	Air flow (m^3/min) (CFM)	Static pressure (Pa)	Noise (dB[A])	Mass (g)
109-311	100	50/60	27/25	0.33/0.25	0.65/0.64	2900/3500	5.3/6.4 187.3/226.1	147/196	47/51	960
109-314	115			0.29/0.22	0.55/0.54					
109-312	200			0.16/0.13	0.33/0.32					
109-313	230			0.14/0.11	0.28/0.27					

Typical air flow and static pressure characteristics



- 109-311
- 109-314
- 109-312
- 109-313

Dimensions (unit : mm)



AC Fan Motors

Reference dimensional diagram for installation holes (unit : mm)

Wiring diagram

