

RB-35PM-0ED3

T I T L E

EXTERNAL DRAWING

DRAWING NUMBER

UNIT mm

SCALE 1/1

DESIGN K. MAENO

DRAWING K. MAENO

INSPECTED S. HASHIMOTO

DATE 25. AUG. '97

SECTION DESIGNING ON SALE

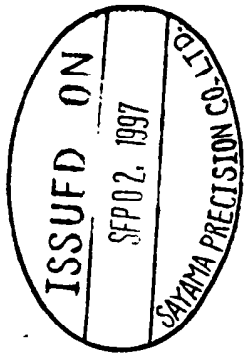
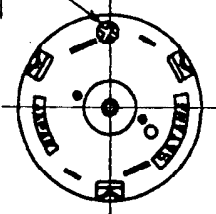
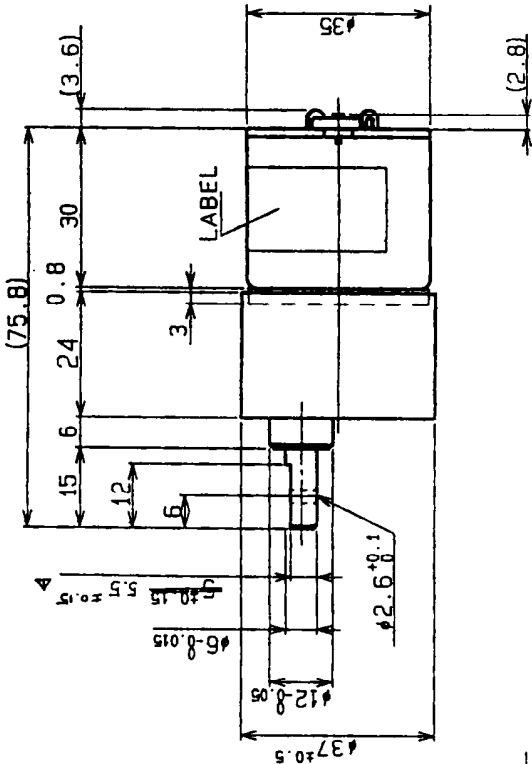
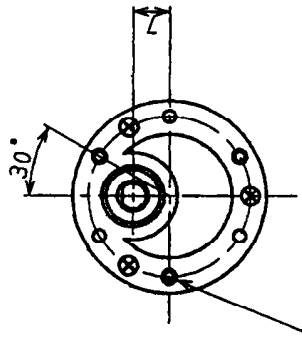
ALTERATION

△ 1997. 7. 2 K. MAENO

△

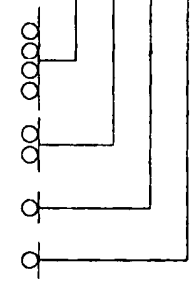
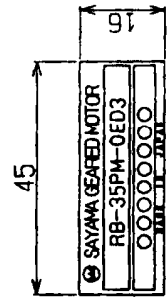
△

N O T E



№ 1102-2

- NOTE 1. OUTPUT SHAFT MUST NOT LOCKING  
 2. GENERAL TOLERANCE:  $\pm 0.5$  BELOW 10  
 $\pm 0.7$  ABOVE 10  
 3. SPECIFICATION OF LABEL  
 3-1 SHAPE AND SIZE



- 3-2 LOT NO.  
 4. THE POSITION OF MODEL NAME LABEL SHOULD BE MOTOR SIDE, THEREFORE THIS POSITION OF MODEL NAME LABEL IS FOR YOUR REFERENCE ONLY.

*Handwritten signature and date: 12/9/97*