

# Hybrid Stepping Motor

TYPE:KL42H150-42-8A

## COMMON RATINGS

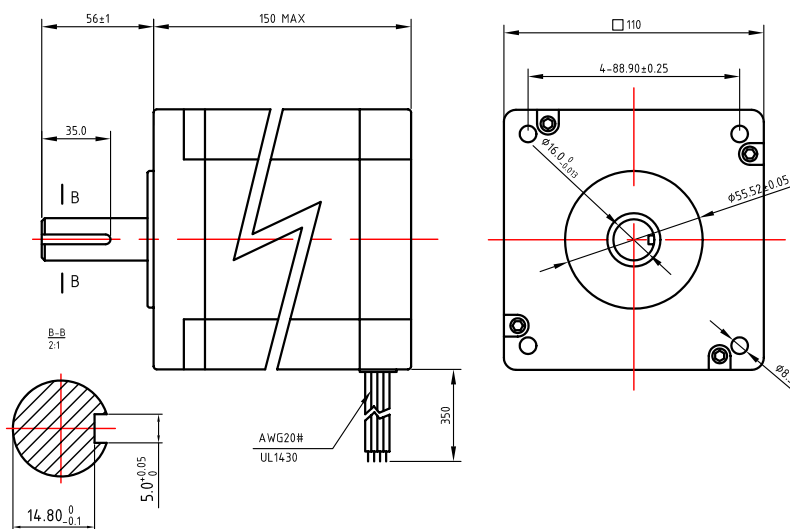
Step angle:1.8°  
 Positional accuracy: +/-5%  
 Number of Phase: 4  
 Temperature rise: 80°C Max  
 Inertia:  $1.1 \times 10^{-3} \text{ kg.m}^2$

Dielectric strength: 500VDC  
 Insulation resistance: 100MΩ(500VDC)  
 Radial play: 0.025mm max.(load 450g)  
 Insulating class: B  
 Weight: 9.0kg

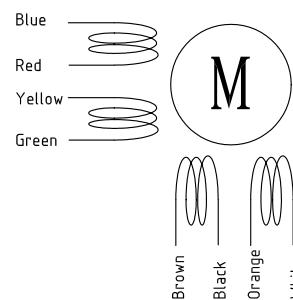
## SPECIFICATIONS

	Holding Torque (2 phases on) N.m ±10%	Rated Current/Phase (Amps DC)	Phase Resistance (ohms) ±10%	Phase Inductance (mH) ±20% Typical
Bipolar(Parallel)	20	6.0	1.4	26
Bipolar(Series)	20	3.0	5.4	104
Unipoar	14	4.2	2.7	26

## DIMENSIONS unit=mm



## CONNECTIONS



Bipolar (Parallel) Connection	Bipolar (Series) Connection	Unipolar Connection