

Unsupported collet knobs $\frac{7}{8}$ in. (6.35 mm) dia. shaft

Supported collet knobs $\frac{7}{8}$ in. (6.35 mm) dia. shaft

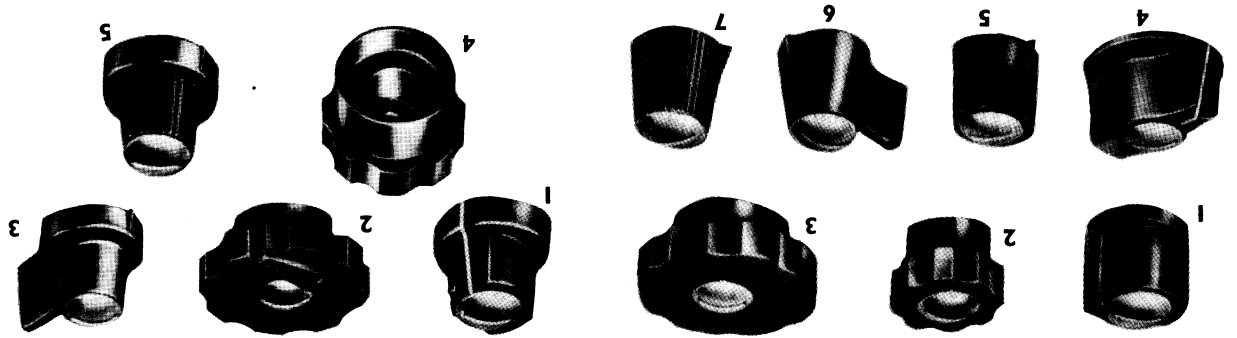
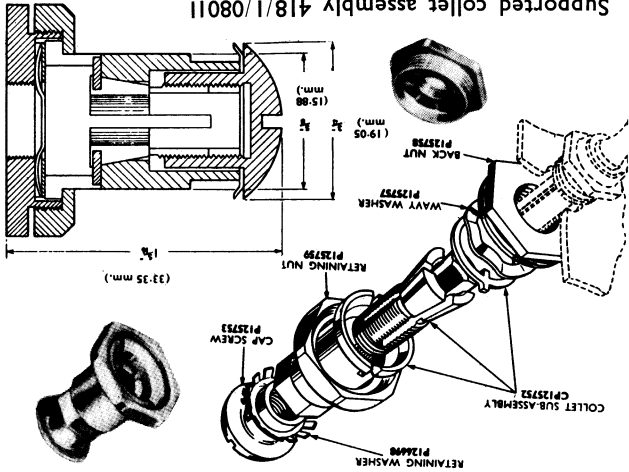
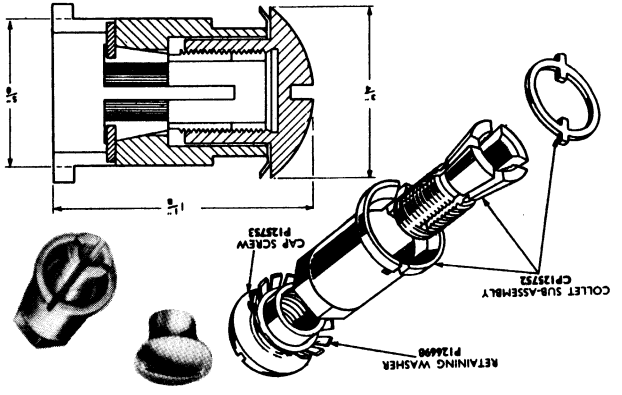


Photo No.	Description	DEF Part No.	5221
1	Parallel, with in-	418/2/09027	8683
2	Fluted, $\frac{1}{8}$ in. (7.95 mm) dia.	418/2/09020	8674
3	Fluted, $2\frac{1}{2}$ in. (57.15 mm) dia.	418/2/09018	8677
4	Parallel, with in-dicator line, $1\frac{1}{2}$ in. (34.45 mm) dia.	418/2/09026	8685
5	Fluted, with beak, 1 in. (25.4 mm) dia. and tail, 1 in. (25.4 mm) dia, tail $1\frac{1}{2}$ in. (31.75 mm.) from axis	412/2/09024	8667
7	Serrated, with beak 1 in. (25.4 mm.) dia. Unsupported collet assembly	418/2/09022	8690

Photo No.	Description	DEF Part No.	5221
1	Parallel, with in-dicator line $1\frac{1}{8}$ in. (33.35 mm) dia.	418/2/09040	942-8684
2	Fluted, $2\frac{1}{2}$ in. (57.15 mm) dia. (with quick wind)	418/1/07516	943-9871
3	Conical, with beak and tail, $1\frac{1}{8}$ in. (33.35 mm.) dia., tail $1\frac{1}{4}$ in. (31.75 mm.) (from axis)	418/2/09037	942-8668
4	Fluted, $1\frac{1}{8}$ in. (41.28 mm) dia.	418/2/09032	942-8675
5	Serrated, with beak 1 in. (25.4 mm.) dia. (max. dia. $1\frac{1}{16}$ in. (33.35 mm.))	418/2/09035	942-8692
—	Supported collet assembly	418/1/08011	942-8698



Unsupported collet assembly 418/1/08010 (JS Cat. No. 5355-99-942-8697)

Supported collet assembly 418/1/08011 (JS Cat. No. 5355-99-942-8698) Available as complete assembly only