

**General Purpose High Current NPN Transistor Arrays**

CA3081 and CA3082 consist of seven high current (to 100mA) silicon NPN transistors on a common monolithic substrate. The CA3081 is connected in a common emitter configuration and the CA3082 is connected in a common collector configuration.

The CA3081 and CA3082 are capable of directly driving seven segment displays, and light emitting diode (LED) displays. These types are also well suited for a variety of other drive applications, including relay control and thyristor firing.

**Ordering Information**

| PART NUMBER (BRAND) | TEMP. RANGE (°C) | PACKAGE                  | PKG. NO. |
|---------------------|------------------|--------------------------|----------|
| CA3081              | -55 to 125       | 16 Ld PDIP               | E16.3    |
| CA3081F             | -55 to 125       | 16 Ld CERDIP             | F16.3    |
| CA3081M (3081)      | -55 to 125       | 16 Ld SOIC               | M16.15   |
| CA3082              | -55 to 125       | 16 Ld PDIP               | E16.3    |
| CA3082M (3082)      | -55 to 125       | 16 Ld SOIC               | M16.15   |
| CA3082M96 (3082)    | -55 to 125       | 16 Ld SOIC Tape and Reel | M16.15   |

**Features**

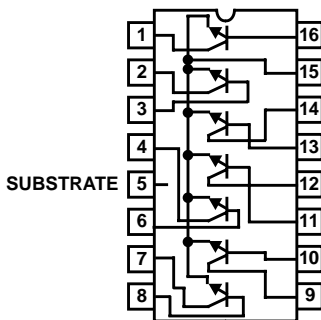
- CA3081 - Common Emitter Array
- CA3082 - Common Collector Array
- Directly Drive Seven Segment Incandescent Displays and Light Emitting Diode (LED) Display
- 7 Transistors Permit a Wide Range of Applications in Either a Common Emitter (CA3081) or Common Collector (CA3082) Configuration
- High I<sub>C</sub> . . . . . 100mA (Max)
- Low V<sub>CESAT</sub> (at 50mA) . . . . . 0.4V (Typ)

**Applications**

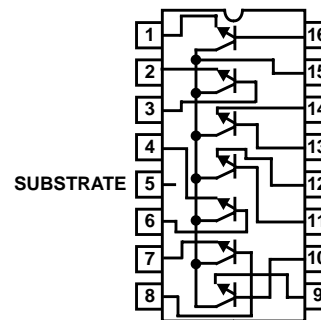
- Drivers for
  - Incandescent Display Devices
  - LED Displays
- Relay Control
- Thyristor Firing

**Pinouts**

**CA3081  
COMMON EMITTER CONFIGURATION  
(PDIP, CERDIP, SOIC)  
TOP VIEW**



**CA3082  
COMMON COLLECTOR CONFIGURATION  
(PDIP, SOIC)  
TOP VIEW**



# CA3081, CA3082

## Absolute Maximum Ratings $T_A = 25^\circ\text{C}$

|  |       |
|--|-------|
| Collector-to-Emitter Voltage ( $V_{CEO}$ )           | 16V   |
| Collector-to-Base Voltage ( $V_{CBO}$ )              | 20V   |
| Collector-to-Substrate Voltage ( $V_{CIO}$ , Note 1) | 20V   |
| Emitter-to-Base Voltage ( $V_{EBO}$ )                | 5V    |
| Collector Current ( $I_C$ )                          | 100mA |
| Base Current ( $I_B$ )                               | 20mA  |

## Operating Conditions

|                   |                |
|-------------------|----------------|
| Temperature Range | -55°C to 125°C |
|-------------------|----------------|

## Thermal Information

|  |                               |                      |
|--|-------------------------------|----------------------|
| Thermal Resistance (Typical, Note 2)           | $\theta_{JA}$ (°C/W)          | $\theta_{JC}$ (°C/W) |
| CERDIP Package                                 | 115                           | 45                   |
| PDIP Package                                   | 100                           | N/A                  |
| SOIC Package                                   | 190                           | N/A                  |
| Maximum Power Dissipation (Any One Transistor) | 500mW                         |                      |
| Maximum Junction Temperature (Ceramic Package) | 175°C                         |                      |
| Maximum Junction Temperature (Plastic Package) | 150°C                         |                      |
| Maximum Storage Temperature                    | -65°C to 150°C                |                      |
| Maximum Lead Temperature (Soldering 10s)       | 300°C (SOIC - Lead Tips Only) |                      |

CAUTION: Stresses above those listed in "Absolute Maximum Ratings" may cause permanent damage to the device. This is a stress only rating and operation of the device at these or any other conditions above those indicated in the operational sections of this specification is not implied.

## NOTES:

- The collector of each transistor of the CA3081 and CA3082 is isolated from the substrate by an integral diode. The substrate must be connected to a voltage which is more negative than any collector voltage in order to maintain isolation between transistors and provide normal transistor action. To avoid undesired coupling between transistors, the substrate terminal (5) should be maintained at either DC or signal (AC) ground. A suitable bypass capacitor can be used to establish a signal ground.
- $\theta_{JA}$  is measured with the component mounted on an evaluation PC board in free air.

## Electrical Specifications For Equipment Design at $T_A = 25^\circ\text{C}$

| PARAMETER                                     | SYMBOL        | TEST CONDITIONS   | MIN | TYP  | MAX | UNITS         |
|---|---------------|---|-----|------|-----|---------------|
| Collector-to-Base Breakdown Voltage           | $V_{(BR)CBO}$ | $I_C = 500\mu\text{A}$ , $I_E = 0$                            | 20  | 60   | -   | V             |
| Collector-to-Substrate Breakdown Voltage      | $V_{(BR)CIO}$ | $I_C = 500\mu\text{A}$ , $I_B = 0$                            | 20  | 60   | -   | V             |
| Collector-to-Emitter Breakdown Voltage        | $V_{(BR)CEO}$ | $I_C = 1\text{mA}$ , $I_B = 0$                                | 16  | 24   | -   | V             |
| Emitter-to-Base Breakdown Voltage             | $V_{(BR)EBO}$ | $I_C = 500\mu\text{A}$  | 5.0 | 6.9  | -   | V             |
| DC Forward Current Transfer Ratio             | $h_{FE}$      | $V_{CE} = 0.5\text{V}$ , $I_C = 30\text{mA}$                  | 30  | 68   | -   | -             |
|   |               | $V_{CE} = 0.8\text{V}$ , $I_C = 50\text{mA}$                  | 40  | 70   | -   | -             |
| Base-to-Emitter Saturation Voltage (Figure 4) | $V_{BESAT}$   | $I_C = 30\text{mA}$ , $I_B = 1\text{mA}$                      | -   | 0.87 | 1.2 | V             |
| Collector-to-Emitter Saturation Voltage       | $V_{CESAT}$   | CA3081, CA3082<br>$I_C = 30\text{mA}$ , $I_B = 1\text{mA}$    | -   | 0.27 | 0.5 | V             |
|   |               | CA3081 (Figure 5)<br>$I_C = 50\text{mA}$ , $I_B = 5\text{mA}$ | -   | 0.4  | 0.7 | V             |
|   |               | CA3082 (Figure 5)<br>$I_C = 50\text{mA}$ , $I_B = 5\text{mA}$ | -   | 0.4  | 0.8 | V             |
| Collector Cutoff Current                      | $I_{CEO}$     | $V_{CE} = 10\text{V}$ , $I_B = 0$                             | -   | -    | 10  | $\mu\text{A}$ |
| Collector Cutoff Current                      | $I_{CBO}$     | $V_{CB} = 10\text{V}$ , $I_E = 0$                             | -   | -    | 1.0 | $\mu\text{A}$ |

## Typical Read - Out Driver Applications

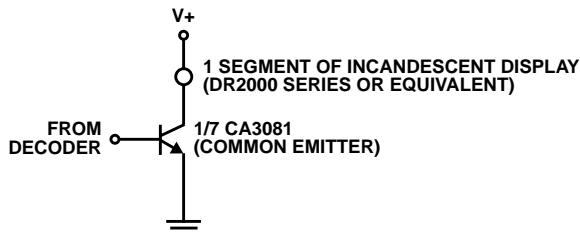
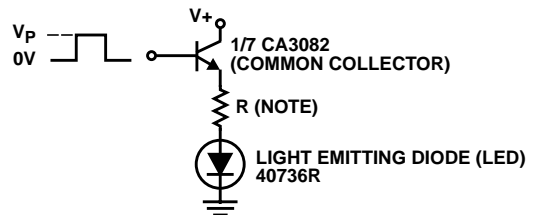


FIGURE 1. SCHEMATIC DIAGRAM SHOWING ONE TRANSISTOR OF THE CA3081 DRIVING ONE SEGMENT OF AN INCANDESCENT DISPLAY



NOTE: The Resistance for R is determined by the relationship:

$$R = \frac{V_P - V_{BE} - V_F(\text{LED})}{I(\text{LED})}$$

$$R = 0 \text{ for } V_P = V_{BE} + V_F(\text{LED})$$

Where:  $V_P$  = Input Pulse Voltage

$V_F$  = Forward Voltage Drop Across the Diode

FIGURE 2. SCHEMATIC DIAGRAM SHOWING ONE TRANSISTOR OF THE CA3082 DRIVING A LIGHT EMITTING DIODE (LED)

Typical Performance Curves

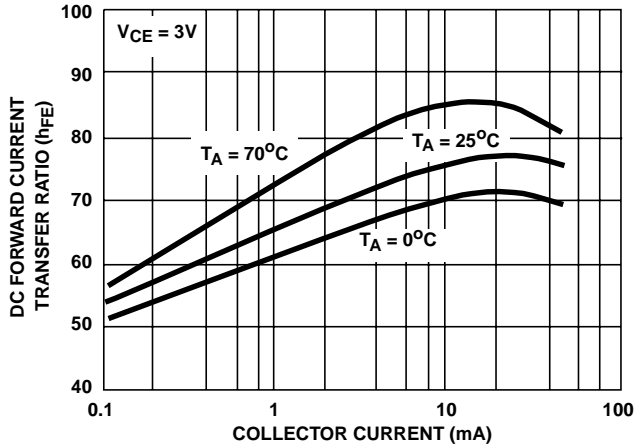


FIGURE 3. DC FORWARD CURRENT TRANSFER RATIO vs COLLECTOR CURRENT

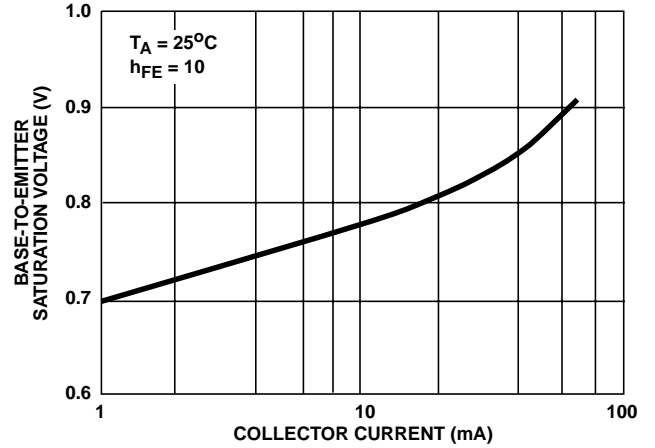


FIGURE 4. BASE-TO-EMITTER SATURATION VOLTAGE vs COLLECTOR CURRENT

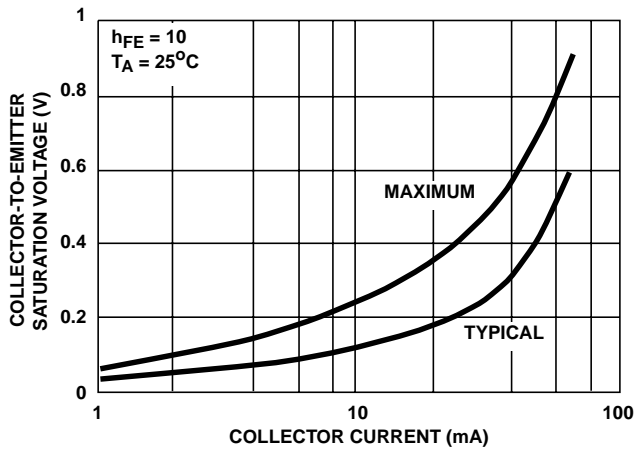


FIGURE 5. COLLECTOR-TO-EMITTER SATURATION VOLTAGE vs COLLECTOR CURRENT

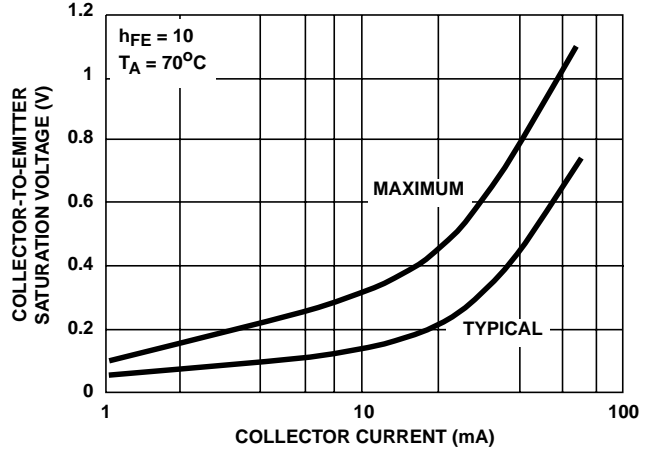
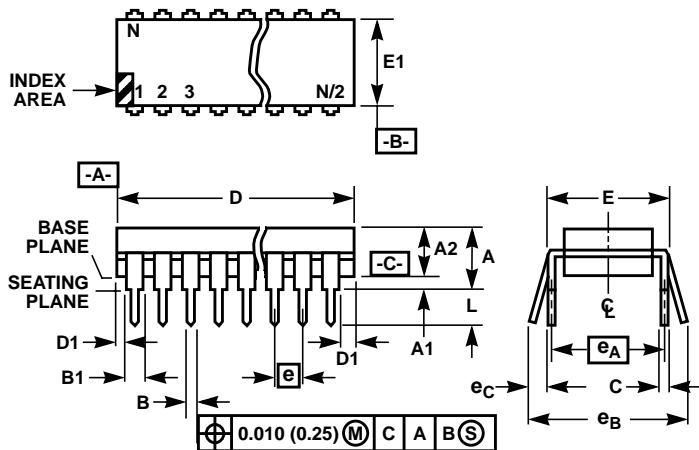


FIGURE 6. COLLECTOR-TO-EMITTER SATURATION VOLTAGE vs COLLECTOR CURRENT

Dual-In-Line Plastic Packages (PDIP)



NOTES:

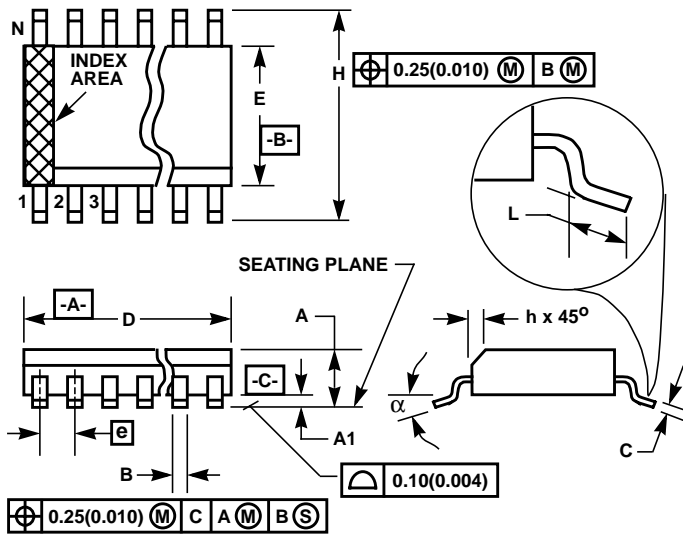
1. Controlling Dimensions: INCH. In case of conflict between English and Metric dimensions, the inch dimensions control.
2. Dimensioning and tolerancing per ANSI Y14.5M-1982.
3. Symbols are defined in the "MO Series Symbol List" in Section 2.2 of Publication No. 95.
4. Dimensions A, A1 and L are measured with the package seated in JEDEC seating plane gauge GS-3.
5. D, D1, and E1 dimensions do not include mold flash or protrusions. Mold flash or protrusions shall not exceed 0.010 inch (0.25mm).
6. E and  $e_A$  are measured with the leads constrained to be perpendicular to datum [-C-].
7.  $e_B$  and  $e_C$  are measured at the lead tips with the leads unconstrained.  $e_C$  must be zero or greater.
8. B1 maximum dimensions do not include dambar protrusions. Dambar protrusions shall not exceed 0.010 inch (0.25mm).
9. N is the maximum number of terminal positions.
10. Corner leads (1, N, N/2 and N/2 + 1) for E8.3, E16.3, E18.3, E28.3, E42.6 will have a B1 dimension of 0.030 - 0.045 inch (0.76 - 1.14mm).

E16.3 (JEDEC MS-001-BB ISSUE D)  
16 LEAD DUAL-IN-LINE PLASTIC PACKAGE

| SYMBOL | INCHES    |       | MILLIMETERS |       | NOTES |
|--------|-----------|-------|-------------|-------|-------|
|        | MIN       | MAX   | MIN         | MAX   |       |
| A      | -         | 0.210 | -           | 5.33  | 4     |
| A1     | 0.015     | -     | 0.39        | -     | 4     |
| A2     | 0.115     | 0.195 | 2.93        | 4.95  | -     |
| B      | 0.014     | 0.022 | 0.356       | 0.558 | -     |
| B1     | 0.045     | 0.070 | 1.15        | 1.77  | 8, 10 |
| C      | 0.008     | 0.014 | 0.204       | 0.355 | -     |
| D      | 0.735     | 0.775 | 18.66       | 19.68 | 5     |
| D1     | 0.005     | -     | 0.13        | -     | 5     |
| E      | 0.300     | 0.325 | 7.62        | 8.25  | 6     |
| E1     | 0.240     | 0.280 | 6.10        | 7.11  | 5     |
| e      | 0.100 BSC |       | 2.54 BSC    |       | -     |
| $e_A$  | 0.300 BSC |       | 7.62 BSC    |       | 6     |
| $e_B$  | -         | 0.430 | -           | 10.92 | 7     |
| L      | 0.115     | 0.150 | 2.93        | 3.81  | 4     |
| N      | 16        |       | 16          |       | 9     |

Rev. 0 12/93

Small Outline Plastic Packages (SOIC)



**M16.15** (JEDEC MS-012-AC ISSUE C)  
16 LEAD NARROW BODY SMALL OUTLINE PLASTIC PACKAGE

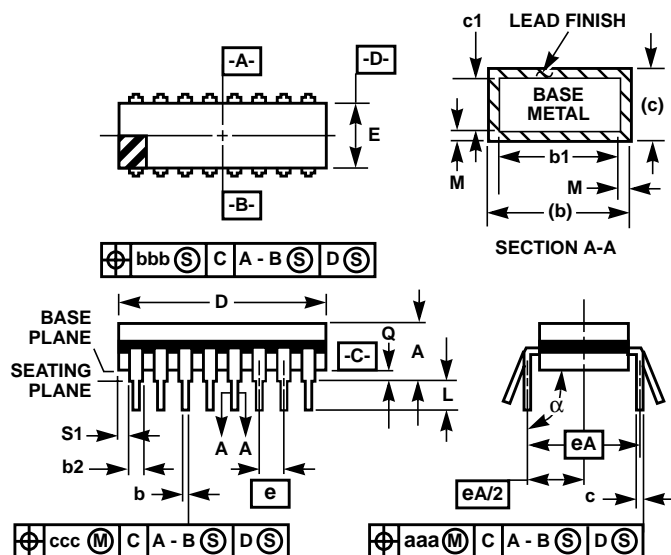
| SYMBOL   | INCHES    |        | MILLIMETERS |       | NOTES |
|----------|-----------|--------|-------------|-------|-------|
|          | MIN       | MAX    | MIN         | MAX   |       |
| A        | 0.0532    | 0.0688 | 1.35        | 1.75  | -     |
| A1       | 0.0040    | 0.0098 | 0.10        | 0.25  | -     |
| B        | 0.013     | 0.020  | 0.33        | 0.51  | 9     |
| C        | 0.0075    | 0.0098 | 0.19        | 0.25  | -     |
| D        | 0.3859    | 0.3937 | 9.80        | 10.00 | 3     |
| E        | 0.1497    | 0.1574 | 3.80        | 4.00  | 4     |
| e        | 0.050 BSC |        | 1.27 BSC    |       | -     |
| H        | 0.2284    | 0.2440 | 5.80        | 6.20  | -     |
| h        | 0.0099    | 0.0196 | 0.25        | 0.50  | 5     |
| L        | 0.016     | 0.050  | 0.40        | 1.27  | 6     |
| N        | 16        |        | 16          |       | 7     |
| $\alpha$ | 0°        | 8°     | 0°          | 8°    | -     |

NOTES:

1. Symbols are defined in the "MO Series Symbol List" in Section 2.2 of Publication Number 95.
2. Dimensioning and tolerancing per ANSI Y14.5M-1982.
3. Dimension "D" does not include mold flash, protrusions or gate burrs. Mold flash, protrusion and gate burrs shall not exceed 0.15mm (0.006 inch) per side.
4. Dimension "E" does not include interlead flash or protrusions. Interlead flash and protrusions shall not exceed 0.25mm (0.010 inch) per side.
5. The chamfer on the body is optional. If it is not present, a visual index feature must be located within the crosshatched area.
6. "L" is the length of terminal for soldering to a substrate.
7. "N" is the number of terminal positions.
8. Terminal numbers are shown for reference only.
9. The lead width "B", as measured 0.36mm (0.014 inch) or greater above the seating plane, shall not exceed a maximum value of 0.61mm (0.024 inch).
10. Controlling dimension: MILLIMETER. Converted inch dimensions are not necessarily exact.

Rev. 0 12/93

**Ceramic Dual-In-Line Frit Seal Packages (CERDIP)**



**F16.3 MIL-STD-1835 GDIP1-T16 (D-2, CONFIGURATION A)  
16 LEAD CERAMIC DUAL-IN-LINE FRIT SEAL PACKAGE**

| SYMBOL | INCHES    |        | MILLIMETERS |       | NOTES |
|--------|-----------|--------|-------------|-------|-------|
|        | MIN       | MAX    | MIN         | MAX   |       |
| A      | -         | 0.200  | -           | 5.08  | -     |
| b      | 0.014     | 0.026  | 0.36        | 0.66  | 2     |
| b1     | 0.014     | 0.023  | 0.36        | 0.58  | 3     |
| b2     | 0.045     | 0.065  | 1.14        | 1.65  | -     |
| b3     | 0.023     | 0.045  | 0.58        | 1.14  | 4     |
| c      | 0.008     | 0.018  | 0.20        | 0.46  | 2     |
| c1     | 0.008     | 0.015  | 0.20        | 0.38  | 3     |
| D      | -         | 0.840  | -           | 21.34 | 5     |
| E      | 0.220     | 0.310  | 5.59        | 7.87  | 5     |
| e      | 0.100 BSC |        | 2.54 BSC    |       | -     |
| eA     | 0.300 BSC |        | 7.62 BSC    |       | -     |
| eA/2   | 0.150 BSC |        | 3.81 BSC    |       | -     |
| L      | 0.125     | 0.200  | 3.18        | 5.08  | -     |
| Q      | 0.015     | 0.060  | 0.38        | 1.52  | 6     |
| S1     | 0.005     | -      | 0.13        | -     | 7     |
| α      | 90°       | 105°   | 90°         | 105°  | -     |
| aaa    | -         | 0.015  | -           | 0.38  | -     |
| bbb    | -         | 0.030  | -           | 0.76  | -     |
| ccc    | -         | 0.010  | -           | 0.25  | -     |
| M      | -         | 0.0015 | -           | 0.038 | 2, 3  |
| N      | 16        |        | 16          |       | 8     |

**NOTES:**

- Index area: A notch or a pin one identification mark shall be located adjacent to pin one and shall be located within the shaded area shown. The manufacturer's identification shall not be used as a pin one identification mark.
- The maximum limits of lead dimensions b and c or M shall be measured at the centroid of the finished lead surfaces, when solder dip or tin plate lead finish is applied.
- Dimensions b1 and c1 apply to lead base metal only. Dimension M applies to lead plating and finish thickness.
- Corner leads (1, N, N/2, and N/2+1) may be configured with a partial lead paddle. For this configuration dimension b3 replaces dimension b2.
- This dimension allows for off-center lid, meniscus, and glass overrun.
- Dimension Q shall be measured from the seating plane to the base plane.
- Measure dimension S1 at all four corners.
- N is the maximum number of terminal positions.
- Dimensioning and tolerancing per ANSI Y14.5M - 1982.
- Controlling dimension: INCH.

Rev. 0 4/94

All Intersil semiconductor products are manufactured, assembled and tested under **ISO9000** quality systems certification.

*Intersil semiconductor products are sold by description only. Intersil Corporation reserves the right to make changes in circuit design and/or specifications at any time without notice. Accordingly, the reader is cautioned to verify that data sheets are current before placing orders. Information furnished by Intersil is believed to be accurate and reliable. However, no responsibility is assumed by Intersil or its subsidiaries for its use; nor for any infringements of patents or other rights of third parties which may result from its use. No license is granted by implication or otherwise under any patent or patent rights of Intersil or its subsidiaries.*

For information regarding Intersil Corporation and its products, see web site [www.intersil.com](http://www.intersil.com)

**Sales Office Headquarters**

**NORTH AMERICA**  
Intersil Corporation  
P. O. Box 883, Mail Stop 53-204  
Melbourne, FL 32902  
TEL: (321) 724-7000  
FAX: (321) 724-7240

**EUROPE**  
Intersil SA  
Mercure Center  
100, Rue de la Fusee  
1130 Brussels, Belgium  
TEL: (32) 2.724.2111  
FAX: (32) 2.724.22.05

**ASIA**  
Intersil (Taiwan) Ltd.  
7F-6, No. 101 Fu Hsing North Road  
Taipei, Taiwan  
Republic of China  
TEL: (886) 2 2716 9310  
FAX: (886) 2 2715 3029