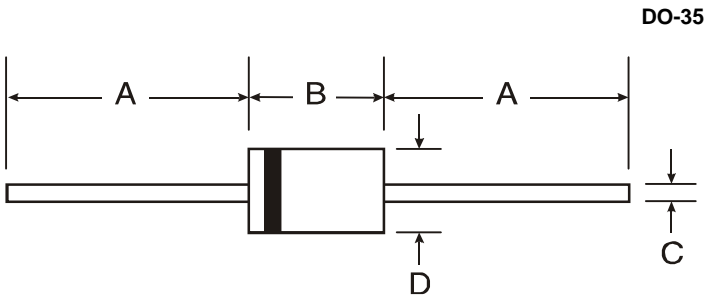


Mechanical Data

- Axial, Through-Hole Package
- Weight: 0.13 grams (Approximate)
- Max Soldering Temperature +260°C for 30 secs as per JEDEC J-STD-020
- Case Material – Molded Plastic, UL Flammability Rating 94V-0
- Terminals: Finish – Matte Tin Plated Leads, Solderable per MIL-STD-202, Method 208 (e3)

Package Outline Dimensions



DO-35		
Dim	Min	Max
A	25.40	-
B	-	4.00
C	-	0.60
D	-	2.00
All Dimensions in mm		

Note: For high voltage applications, the appropriate industry sector guidelines should be considered with regards to creepage and clearance .

Minimum Packing Quantity

	Quantity per Box
Bulk - Loose	500
13" Tape and Reel	10,000
Ammo Pack	5,000/ 10,000*

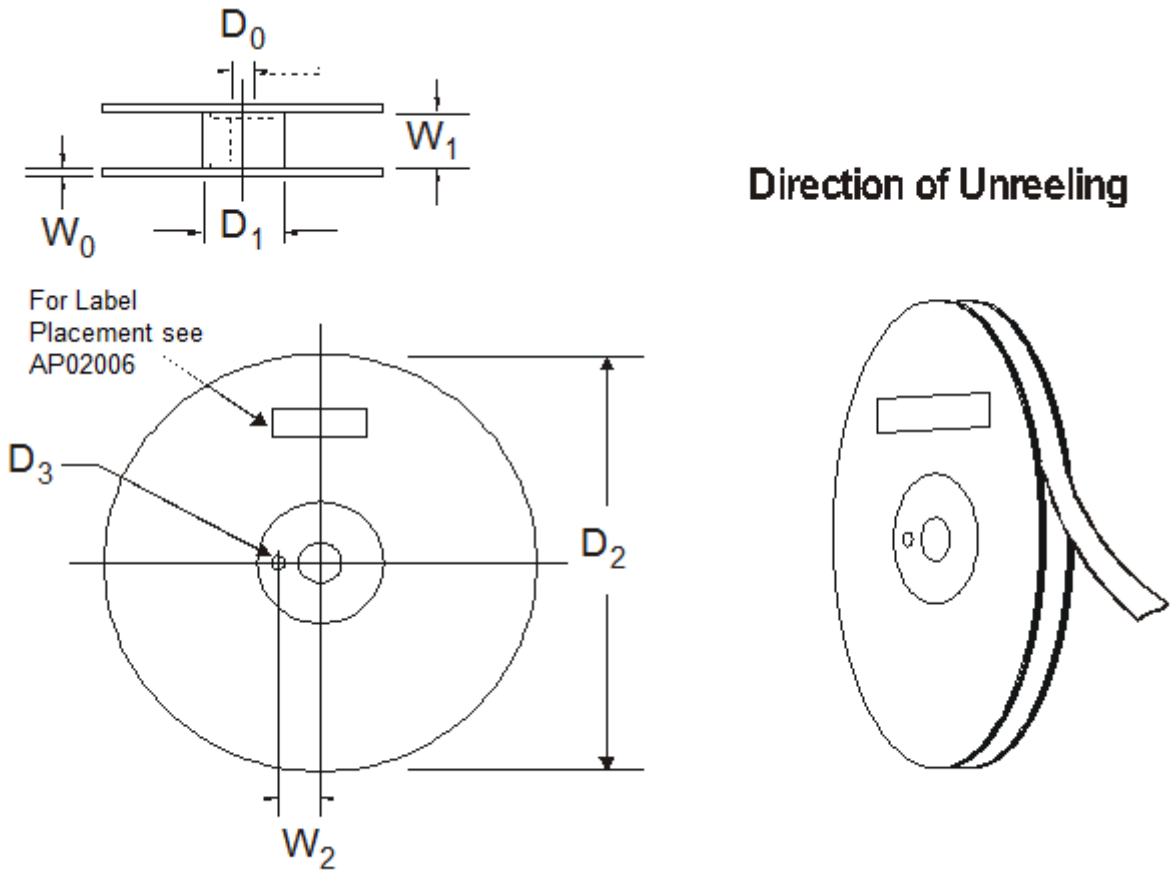
*Quantity Varies by Part Number

Note: Package quantities given are for minimum packaging quantity only, not minimum order quantity. For minimum order quantity, please contact Sales Department.

Note: No mixed date codes or partial quantity (less than minimum packaging quantity) per packaging is allowed.

Note: In no case shall there be two or more consecutive components missing from any reel for any reason.

Product Reel Dimensions

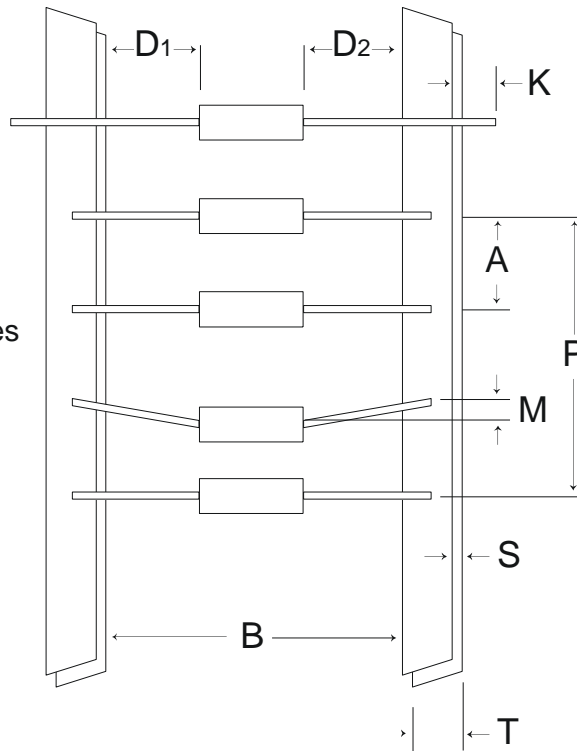


PRODUCT REEL			
Description	Symbol	Specification(mm)	Alternate(mm)
Arbor Hole Diameter	D0	16.6 ± 0.50	30.0 ± 0.50
Core Diameter (O.D)	D1	81.0 Typical	81.0 Typical
Reel Diameter	D2	345.0 ± 15.0	260.0 ± 15.0
Drive Hole Diameter	D3	9.5 ± 0.5	9.5 ± 0.5
Material Thickness	W0	2.0 – 4.0	2.0 – 4.0
Reel Width	W1	80.0 ± 5.0	65.0 ± 5.0
Drive/ Arbor Hole Spacing	W2	27.5 ± 0.5	27.5 ± 0.5

Core material: plastic (blue/black) or metal (neutral)
 Reel material: corrugated board or plastic (blue or black)

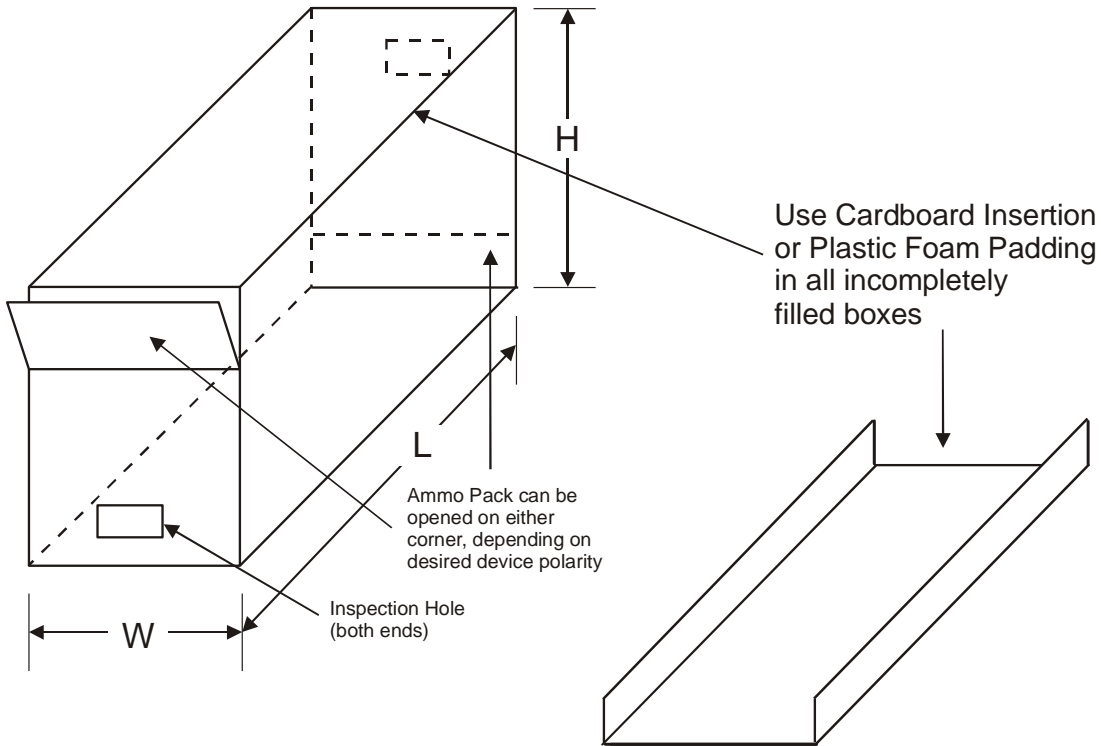
Reel/ Ammo Taping Specifications

Dimensions A, M, K, P, S, & T apply to both sides



REEL AND AMMO PACK TAPING SPECIFICATIONS		
Description	Symbol	Specification (mm)
Component Pitch	A	5.0 ± 0.5
Inside Tape Spacing	B	52.4 ± 1.5
Lead to Lead Eccentricity	$ D1 - D2 $	1.4 max
Lead Extension	K	0.8 max
Lead Bending	M	1.2 max
Cumulative Pitch	P	± 1.5 per 6 pitch
Exposed Adhesive	S	0.8 max
Tape Width	T	6.0 ± 0.4
Empty Spaces		< 0.1%
Polarity Marking	All polarized components shall be oriented in the same direction. The cathode tape shall be colored, and the anode tape shall be white or light beige. Anode end must face label-side of reel. See AP02006 for label placement.	

Ammo Pack Dimensions/ Specifications



AMMO PACK		
Height (H)	Width (W)	Length (L)
124mm	75mm	255mm

Material: corrugated board (neutral)
 Thickness: 3.00 ± 0.5mm (0.12 ± 0.02")
 For label dimensions and placement see AP02006.