

JEDEC SOLID STATE  
PRODUCT OUTLINE  
Copyright © 2019 JEDEC

THIS **REGISTERED OUTLINE** HAS BEEN PREPARED BY THE JEDEC JC-11 COMMITTEE AND REFLECTS A PRODUCT WITH ANTICIPATED USAGE IN THE ELECTRONICS INDUSTRY; CHANGES ARE LIKELY TO OCCUR.

TITLE PLASTIC MULTI POSITION  
FLANGE MOUNT MIXED TECHNOLOGY,  
0.10 IN PITCH PACKAGE

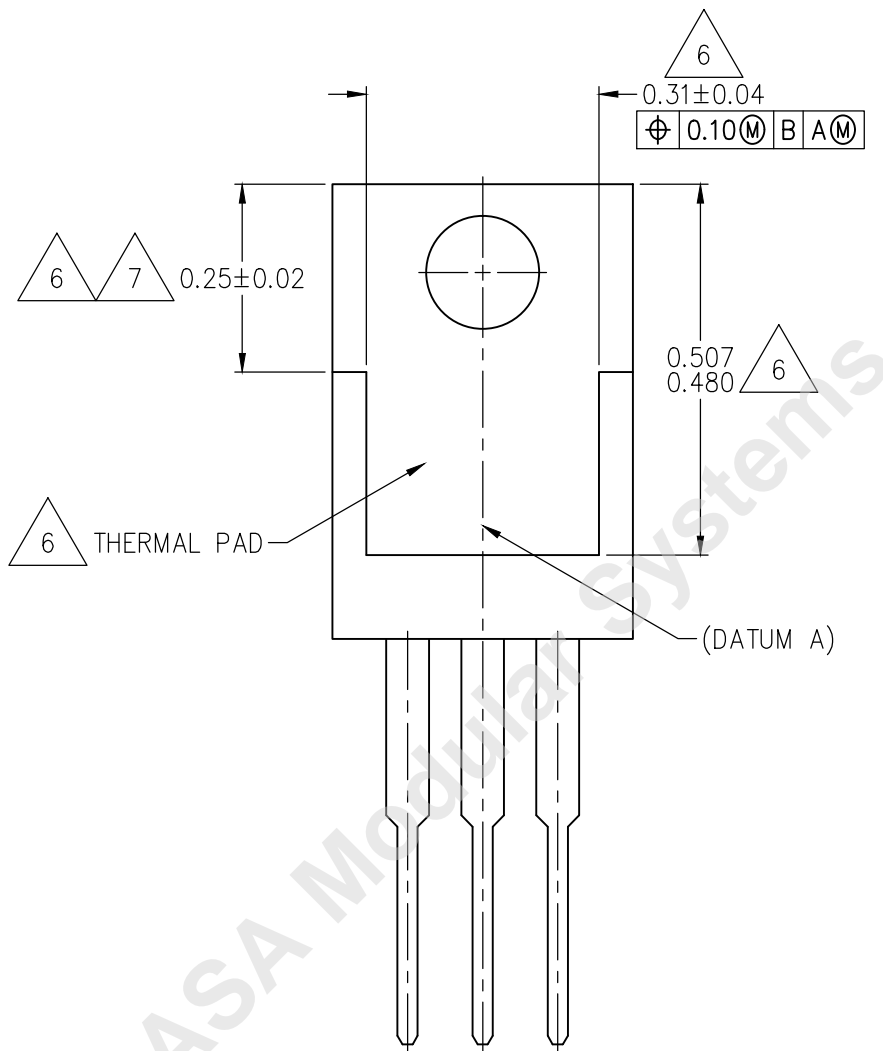
PACKAGE DESIGNATOR  
PMFM-V4-I  
PMFM-V3[4]-I

NUMBER  
TO-220

ISSUE  
L

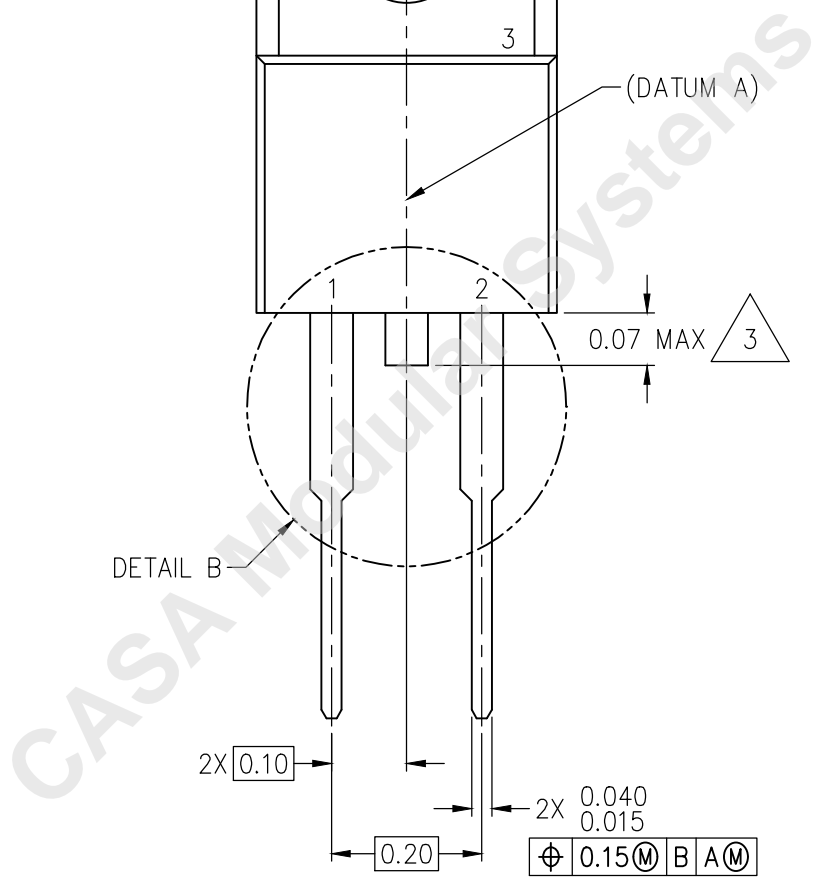
DATE  
JAN 2019

SHEET  
1 OF 6



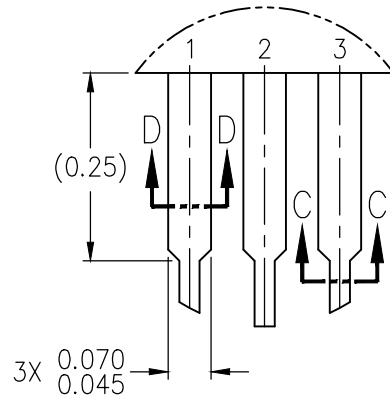
VIEW A-A

JEDEC SOLID STATE PRODUCT OUTLINE Copyright © 2019 JEDEC	TITLE PLASTIC MULTI POSITION FLANGE MOUNT MIXED TECHNOLOGY, 0.10 IN PITCH PACKAGE	NUMBER <b>TO-220</b>	ISSUE <b>L</b>	DATE <b>JAN 2019</b>	SHEET <b>2 OF 6</b>
--	---	-------------------------	-------------------	-------------------------	------------------------

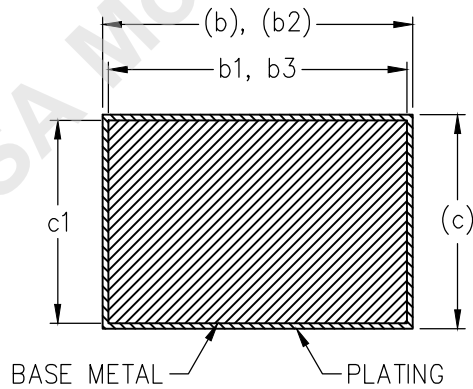


VARIATION AC

JEDEC SOLID STATE PRODUCT OUTLINE Copyright © 2019 JEDEC	TITLE PLASTIC MULTI POSITION FLANGE MOUNT MIXED TECHNOLOGY, 0.10 IN PITCH PACKAGE	NUMBER <b>TO-220</b>	ISSUE <b>L</b>	DATE <b>JAN 2019</b>	SHEET <b>3 OF 6</b>
--	---	-------------------------	-------------------	-------------------------	------------------------



DETAIL B



SECTION C-C & D-D

TABLE 1

VARIATIONS (ALL DIMENSIONS SHOWN IN INCHES)												
SYMBOL	AA			NOTES	PMFM-V4-I			NOTES	PMFM-V3[4]-I			NOTES
	MIN	NOM	MAX		MIN	NOM	MAX		MIN	NOM	MAX	
b					.015	.027	.040		.015	.027	.040	
b1					.015	----	.038		.015	----	.038	
b2					.045	0.57	.070		.045	0.57	.070	
b3					.045	----	.068		.045	----	.068	
c					.014	----	.024		.014	----	.024	
c1					.014	----	.022		.014	----	.022	
∅P					.139	----	.161		.139	----	.147	
Q					.100	----	.135		.100	----	.120	
NOTES	INACTIVATED				1, 2				1, 2			
REF	10-421				10-421				10-421			
ISSUE	K				K				K			

NOTES:

1. DIMENSIONING AND TOLERANCING PER ASME Y14.5-1994.

2. ALL DIMENSIONS ARE IN INCHES.



CENTER LEAD REMOVED IN VARIATION AC.



CHAMFER OPTIONAL.



DIMENSIONS DO NOT INCLUDE MOLD FLASH. MOLD FLASH SHALL NOT EXCEED .005 INCH PER SIDE. THESE DIMENSIONS ARE MEASURED AT THE OUTERMOST EXTREME OF THE PLASTIC BODY.



THERMAL PAD CONTOUR OPTIONAL WITHIN DIMENSION AREA.



DIMENSION ZONE IS WHERE STAMPING AND SINGULATION IRREGULARITIES ARE ALLOWED.

CASA Modular Systems

JEDEC SOLID STATE PRODUCT OUTLINE Copyright © 2019 JEDEC	TITLE PLASTIC MULTI POSITION FLANGE MOUNT MIXED TECHNOLOGY, 0.10 IN PITCH PACKAGE	NUMBER TO-220	ISSUE L	DATE JAN 2019	SHEET 6 OF 6
--	---	------------------	------------	------------------	-----------------

CHANGE RECORD

IF THE CHANGE INVOLVES ANY WORDS ADDED OR DELETED (EXCLUDING DELETION OF ACCIDENTALLY REPEATED WORDS), THE CHANGE IS TO BE INCLUDED BELOW. PUNCTUATION CHANGES MAY OR MAY NOT BE INCLUDED.

INITIAL ISSUE: -	DATE: -	ITEM NUMBER: -
------------------	---------	----------------

CHANGE RECORD HISTORY:
------------------------

ISSUE: J	DATE: APRIL 1987	ITEM NUMBER: 10-243
----------	------------------	---------------------

ISSUE: K	DATE: APRIL 2002	ITEM NUMBER: 10-421
----------	------------------	---------------------

ISSUE: L	DATE: JANUARY 2019	ITEM NUMBER: 10-457
----------	--------------------	---------------------

LOCATION	CHANGED FROM:	CHANGED TO:
ALL SHEETS		UPDATED TO CURRENT FORMAT
ALL SHEETS, TITLE	FLANGE MOUNTED HEADER FAMILY (PERIPHERAL TERMINALS)	PLASTIC MULTI POSITION FLANGE MOUNT MIXED TECH, 0.10 IN PITCH PACKAGE
SHEET 1, PKG DESIGNATOR	(V,W,U,X1-X4) FR-SCDS	PMFM-V4-I PMFM-V3[4]-I
SHEET 1	0.355/0.330	0.371/0.330
SHEET 5, TABLE 1		UNTABULATED SYMBOLS: A, A1, A2, D, D1, D2, E, E1, E2, e, e1, N, H1, L, L1, L2
SHEET 6, NOTE 5	DIMENSIONS D AND E DO NOT	DIMENSION DOES NOT
SHEET 6, NOTE 6	DIMENSIONS D2, E, E1 AND H1.	DIMENSION AREA.
SHEET 6, NOTE 7	DIMENSIONS E2 AND H1 DEFINE A ZONE	DIMENSION ZONE IS

JEDEC SOLID STATE PRODUCT OUTLINE Copyright © 2019 JEDEC	TITLE PLASTIC MULTI POSITION FLANGE MOUNT MIXED TECHNOLOGY, 0.10 IN PITCH PACKAGE	NUMBER TO-220	ISSUE L	DATE JAN 2019	SHEET i
--	---	------------------	------------	------------------	------------

STP (3D) FILE RECORD

STP FILE NAME	ISSUE	DATE	ITEM NUMBER

CASA Modular Systems

JEDEC SOLID STATE PRODUCT OUTLINE Copyright © 2019 JEDEC	TITLE PLASTIC MULTI POSITION FLANGE MOUNT MIXED TECHNOLOGY, 0.10 IN PITCH PACKAGE	NUMBER TO-220	ISSUE L	DATE JAN 2019	SHEET ii
--	---	------------------	------------	------------------	-------------