



Mains Matching AUTO Transformer



<https://www.casa.co.nz>

Edition: 12/09/2022

Type: **230V~95V-400VA-Auto-CX40295**

Stock #: _____

General Data

Brand: NKT (Japan)

Type: 230V~95V-400VA-Auto-CX40295

Model: CX40295-101A

Input: 230~95Vac 50~60Hz (multi-tapped as per schematic)

Output: 95~230V

Power: 400VA (estimated minimum *continuous* rating)

Size: 115x110x135mm (inc. feet)

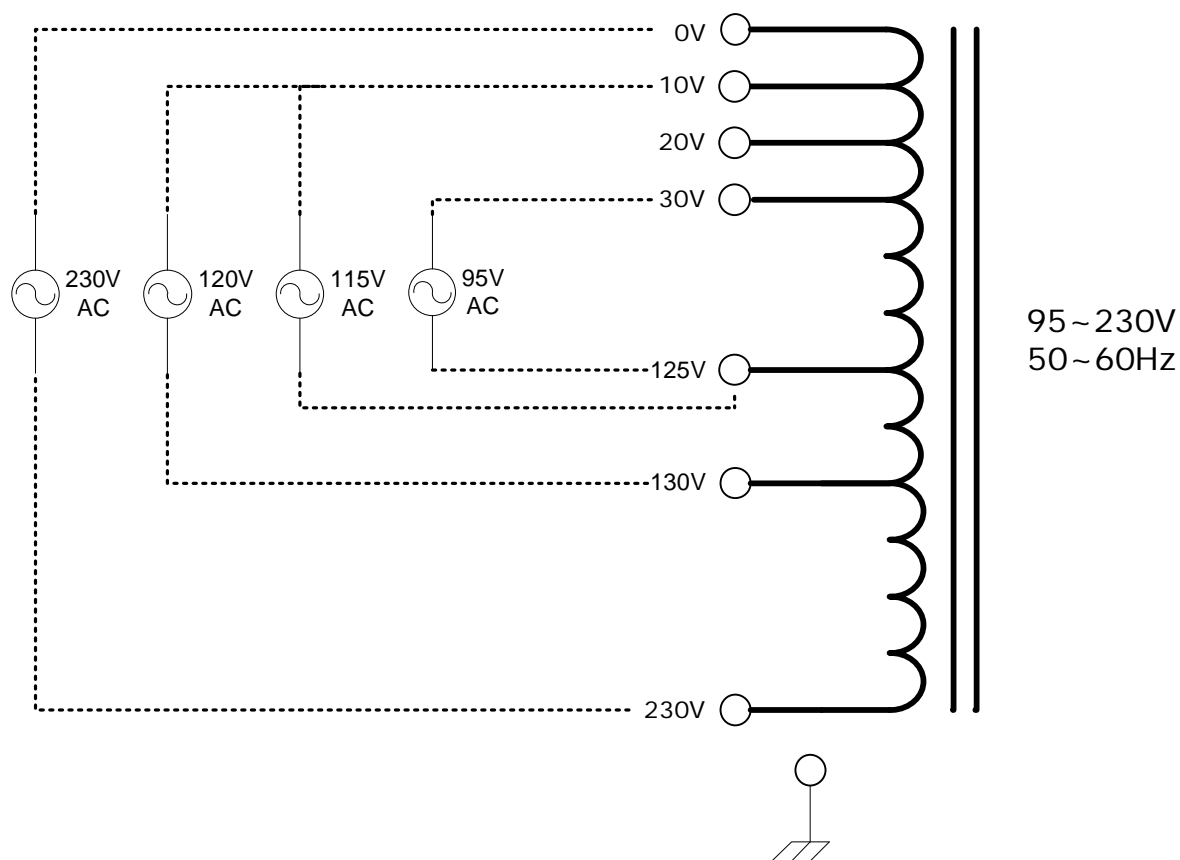
Weight: 4.9kg

Fixing: 4 x 6mm holes @ 88 x 83mm centres (nominal)

Condition: Some NEW (spares-stock) and some re-furbished stock.

Comments: Other input/output voltages can be achieved by selection of alternatives not annotated on the schematic.

CX40295-101A



NOTICE – the information on this page is not guaranteed for accuracy – CASA accepts no responsibility (expressed or implied) for any errors or the consequence therefrom.