

Mains Matching **AUTO** Transformer



<https://www.casa.co.nz>

Edition: 17/09/2022



Type: **240V~220V-250VA-Auto-CASA**

Stock #: TBA

General Data

Brand: CASA (Schott encased transformer)

Type: 240V~220V-250VA-Auto-Schott

Model: TBA (designated according to specific configuration)

OEM: CASA

Input: 240Vac 50~60Hz (multi-tapped as per schematic)

Signal: Panel-lamp is lit when supply is active

Connection: IEC 3 pin chassis plug (others upon request)

Circuit Protection: Circuit-breaker in input (or fuse upon request)

Output: 220Vac (other voltages possible according to deployed configurations per schematic)

Connection: 3 pole NZ chassis socket (other connector options upon request)

Power: 250VA (estimated **continuous** rating)

Circuit Protection: circuit-breaker in output circuit

Size: 210x153x132.5mm (plus feet/standoffs & carry-handle)

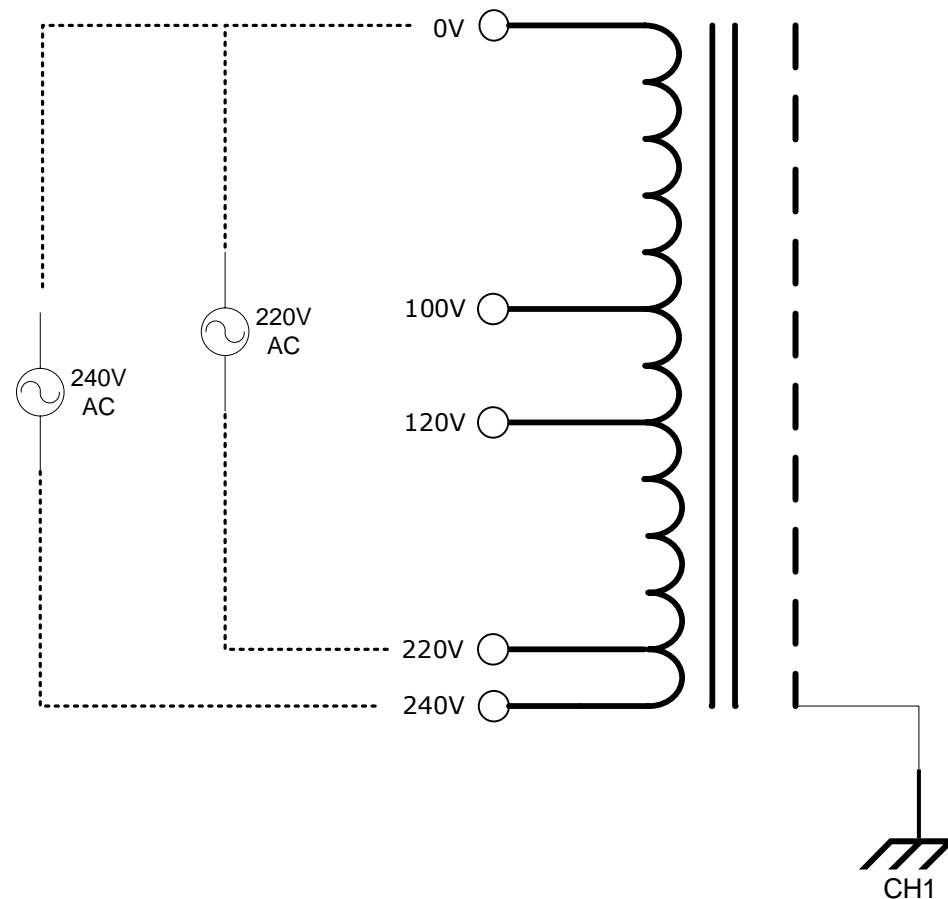
Weight: 4.88kg

Fixing: NA (Available by customisation)

Condition: As represented in picture (new or re-furbished stock).

Comments: Other input/output voltages can be achieved by selection of alternatives (as annotated on the schematic) **or** customised production using other available transformers etc.

Xxx-Schott



NOTICE – the information on this page is not guaranteed for accuracy – CASA accepts no responsibility (expressed or implied) for any errors or the consequence therefrom.