

# Variable Transformer - Variac

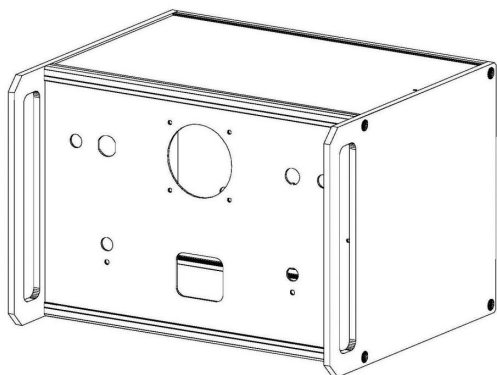


<http://www.casa.co.nz>

Edition: 30/05/2021

## Type: **VARIAC-2A5-VoltPack-KIT**

**WARNING** – Lethal voltages are present on exposed terminals and windings etc. when transformers are connected to the mains



### General Data

**Brand:** CASA (NZ)

**Type:** Variac-Volt-Pac Kit

**Model:** Variac-2A5-Kit

**Input:** 230Vac 50~60Hz

**Output:** 120~264V @ 2.5A

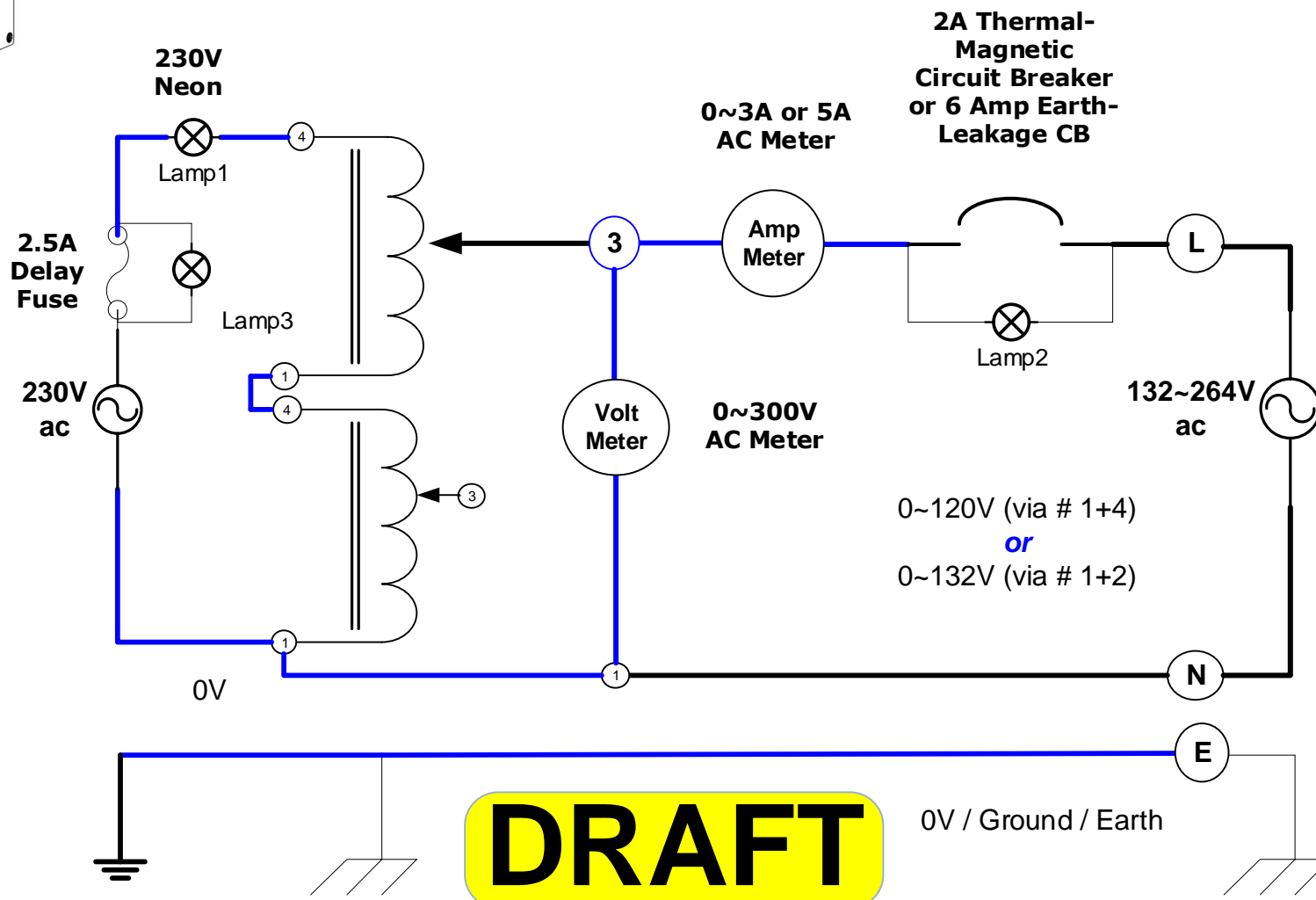
**Power:** 500VA (nominal)

**Size:** 250 x 150 mm (nominal)

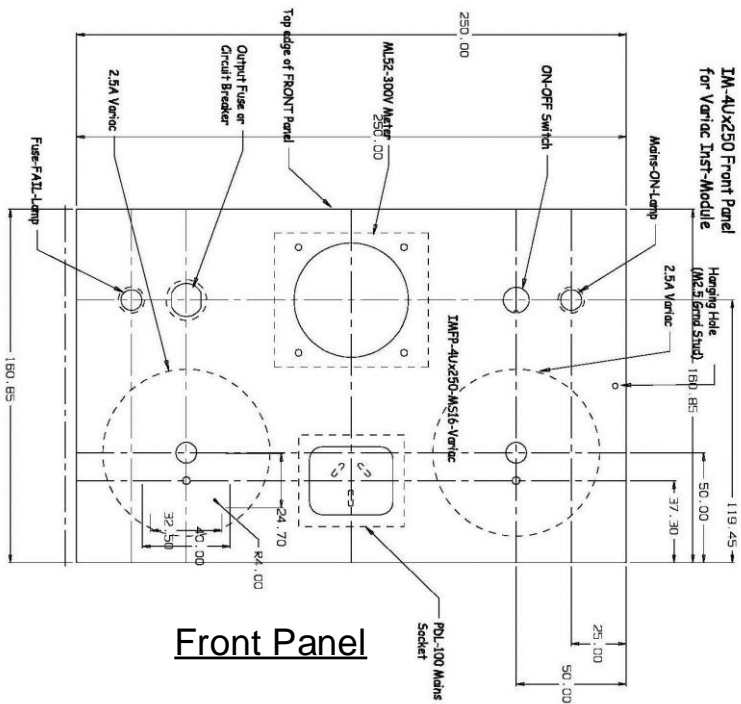
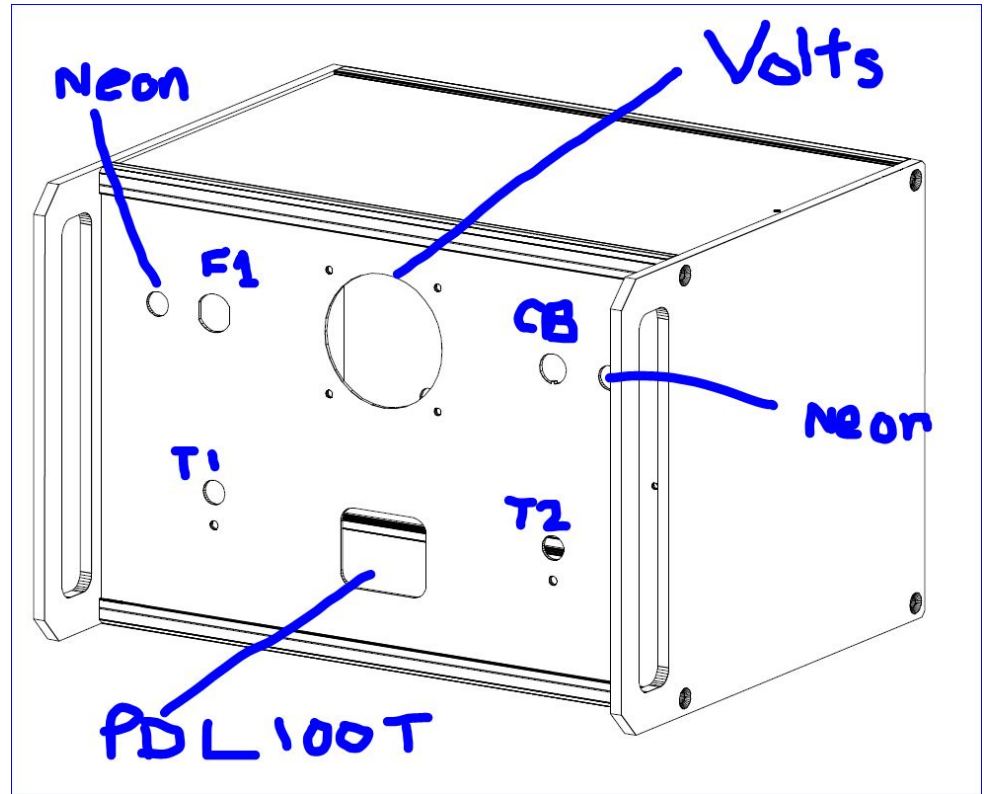
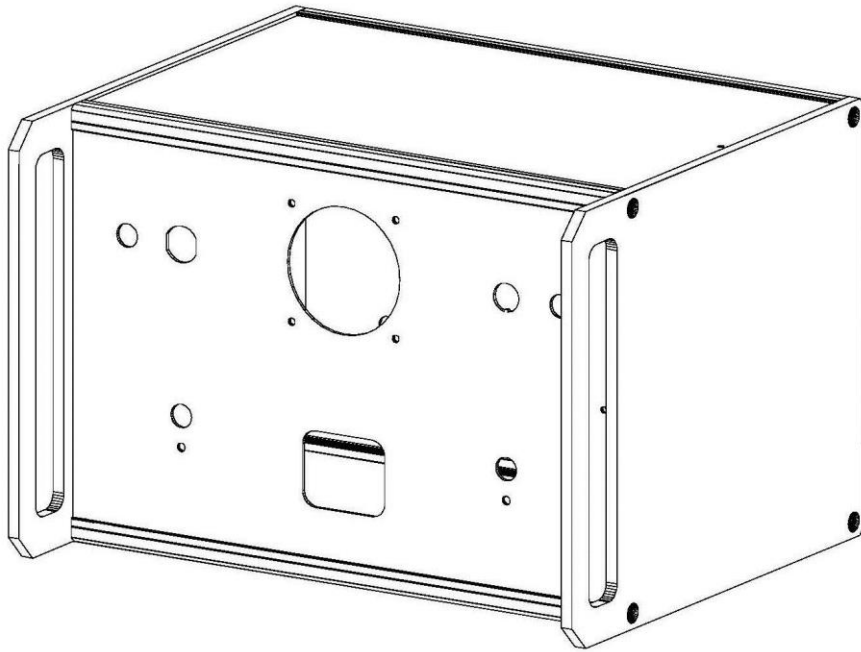
**Weight:** 2.25kg (nominal)

**Condition:** CKD kitset with un-assembled parts and suggested schematic.

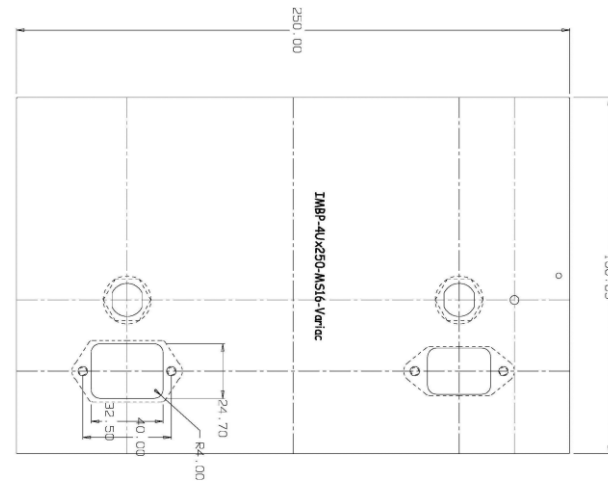
**Comments:** The internal wiring of 2 GE variable voltage transformers in series facilitates use on 230V mains provided the 2<sup>nd</sup>/lower transformer is set without adjustment. Use with the tap-point adjustment enabled is not recommended (see optional schematic for suggested details) – Hereby we provide a 3/8"-UNEF Pot-Lock but recommend that an appropriate warning label be applied to the front panel.



**NOTICE** – the information on this page is not guaranteed for accuracy – CASA accepts no responsibility (expressed or implied) for any errors or the consequence therefrom.



Front Panel



Power-Outlet  
IEC Socket

Back Panel

Power-Inlet  
IEC Plug

Sunday, May 30, 2021 15:09:56

